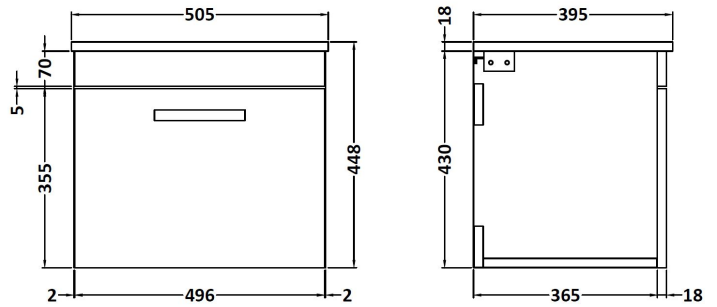


CUSTOMER DATA SHEET

SALES CODE: ATH013W

DESCRIPTION: 500 Wh Single Drawer Vanity With Worktop



PACKAGING DETAILS

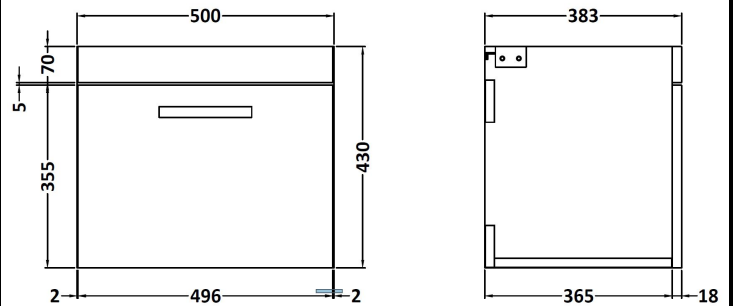
Barcode

5056211801412

CUSTOMER DATA SHEET - FURNITURE

SALES CODE: MOE182

DESCRIPTION: 500 Wall Hung Single Drawer Basin Unit



PRODUCT DIMENSIONS

Height (mm)	Width (mm)	Depth (mm)	Nett Wgt Kg
430	500	383	13.2

PACKAGING DIMENSIONS

Height (mm)	Width (mm)	Depth (mm)	Gross Wgt Kg
405	520	450	13.2

PACKAGING DATA

Box Colour	Brown Cardboard Box - Printed		
Box Qty		Label Colour	White Label
Label Size	x	Label Qty	2

OUTER BOX DIMENSIONS (If Applicable)

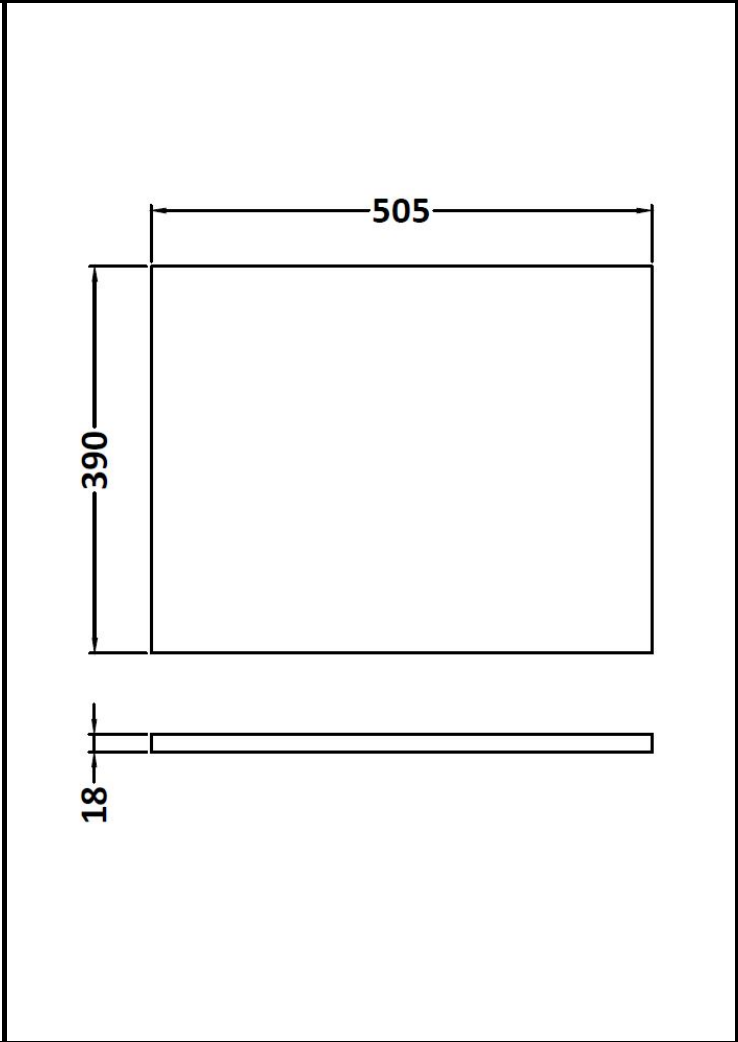
Height (mm)	Width (mm)	Depth (mm)	Gross Wgt Kg
Barcode	5055275880586		

PRODUCT DETAILS

Country of Origin	China			
Fitting Instruction	No			
Constr' Method	Cam & Wood Dowel			
Cabinet Finish	MFC Painted Gloss			
Cab Thickness (mm)	16			
Drawer Included	Yes			
No of Shelves	0			
Hinge Inc'	Not Applicable			
Fixings Inc'	Yes			
Handle Inc'	Yes, Supplied			
Handle Type	Strap			
Certification	FSC	Yes	CE	N/A
Colour	Gloss White			
Constr' Type	Rigid			
Fascia Finish	Mdf Painted Gloss			
Fas Thickness (mm)	18			
Drawer Type	80mm High Metal Softclose			
Hinge Type	Not Applicable			
Adjustable Legs	No, Not Required			
Handle Style	Contemporary			
Waste Shroud	Yes			

CUSTOMER DATA SHEET - FURNITURE

SALES CODE: MWD150	DESCRIPTION: 500 Worktop (505X390x18mm)
---------------------------	--



PRODUCT DIMENSIONS			
Height (mm)	Width (mm)	Depth (mm)	Nett Wgt Kg
18	505	390	0.55

PACKAGING DIMENSIONS			
Height (mm)	Width (mm)	Depth (mm)	Gross Wgt Kg
555	555	555	0.55

PACKAGING DATA			
Box Colour	Brown Cardboard Box - Printed		
Box Qty	1	Label Colour	Not Applicable
Label Size	100 x 50	Label Qty	0

OUTER BOX DIMENSIONS (If Applicable)			
Height (mm)	Width (mm)	Depth (mm)	Gross Wgt Kg
Barcode	5055275826256		

PRODUCT DETAILS				
Country of Origin	United Kingdom		Certification	FSC Yes CE N/A
Fitting Instruction	No		Colour	Gloss White
Constr' Method	Not Applicable		Constr' Type	Not Applicable
Cabinet Finish	Not Applicable		Fascia Finish	MFC Painted Gloss
Cab Thickness (mm)			Fas Thickness (mm)	18
Drawer Included	Not Applicable		Drawer Type	Not Applicable
No of Shelves	Not Applicable		Hinge Type	Not Applicable
Hinge Inc'	Not Applicable		Adjustable Legs	Not Applicable
Fixings Inc'	Yes		Handle Style	Not Applicable
Handle Inc'	Not Applicable		Waste Shroud	Not Applicable
Handle Type	Not Applicable			