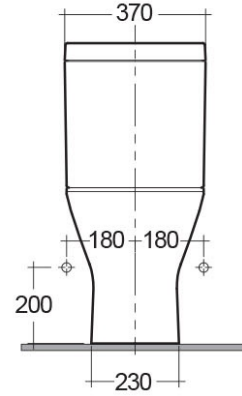
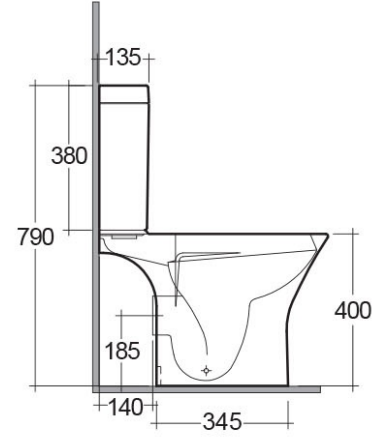
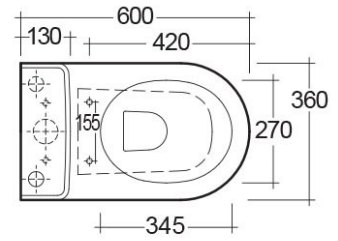


RAK-RESORT

Close Coupled | Water Closet

RAK
CERAMICS



Technical specifications

Dimensions: 600 x 360 mm

Weight: 34 Kg

Color: Alpine White

Trap type: P Trap

Trapway type: Concealed

Seat cover options: Urea

Bowl shape: Oval

Soft close: yes

Quick remove seat cover: yes

Dual flush: yes

Suites: [RAK-RESORT](#)

Code	Name
RST18AWHA	RESORT WATER CLOSET RIMLESS CLOSE COUPLED BACK OPEN P-TRAP 60CM

RST10AWHA	RESORT WATER CLOSET TANK
-----------	--------------------------

Dimensions: All dimensions in mm tolerance $\pm 5\%$ for below 200mm and $\pm 3\%$ for above 200mm.

Note: Due to a continuing development programme to improve design and performance, the manufacturer reserves all rights to vary specifications without prior information.

Please note accessories are for photographic use only.