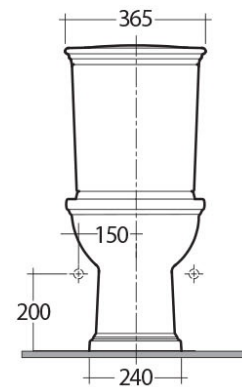
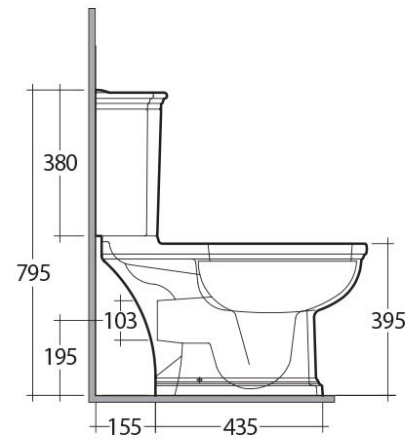
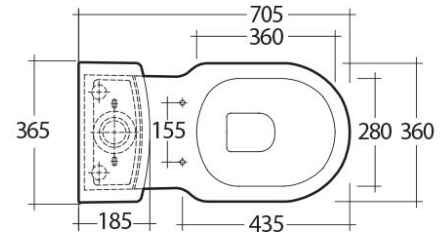


# RAK-WASHINGTON

## Close Coupled | Water Closet

**RAK**  
CERAMICS



### Technical specifications

Dimensions: 705 x 365 mm

Weight: 36 Kg

Color: Alpine White

Trap type: P Trap

Trapway type: Concealed

Seat cover options: ABS Plastic

Bowl shape: Oval

Soft close: yes

Dual flush: yes

Suites: [RAK-WASHINGTON](#)

Code	Name
------	------

WT11AWHA	WASHINGTON WATER CLOSET CLOSE COUPLED P-TRAP 70CM
----------	---

WT10AWHA	WASHINGTON WATER CLOSET TANK
----------	------------------------------

Dimensions: All dimensions in mm tolerance  $\pm 5\%$  for below 200mm and  $\pm 3\%$  for above 200mm.

Note: Due to a continuing development programme to improve design and performance, the manufacturer reserves all rights to vary specifications without prior information.

Please note accessories are for photographic use only.