

TAP005FL- FLAIR HI-RISE MONO BASIN MIXER



ILLUSTRATION: FLAIR HI-RISE MONO BASIN MIXER

BAR CODE: 5060168228475

COLOUR: CHROME PLATE

WEIGHT:

NET 1.7 kg (tap only)

GROSS 2.17 kg

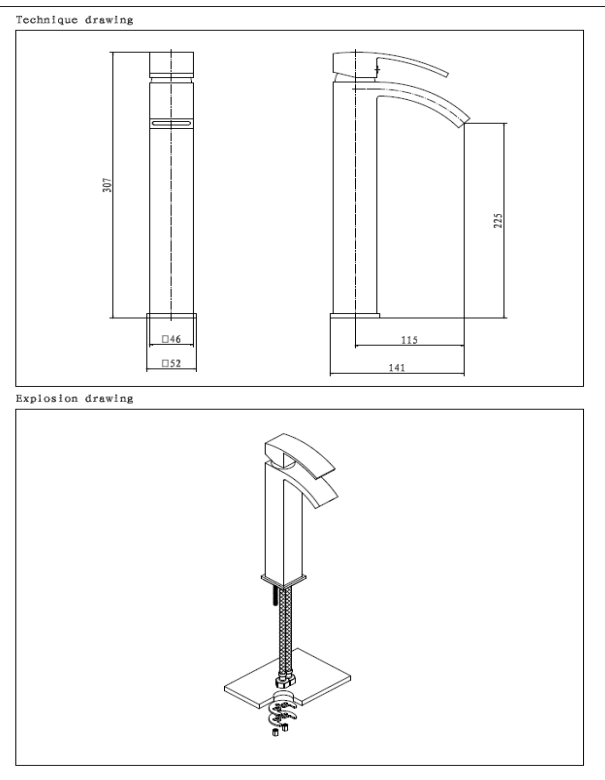
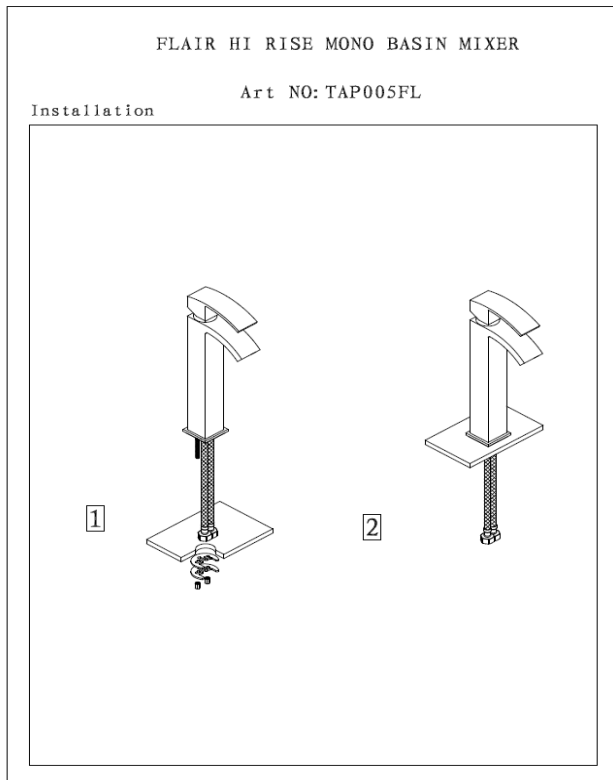
STANDARDS: BS EN 200

NOTES:

**1/2" BSP FLEXI HOSES
CERAMIC DISC CARTRIDGE TECHNOLOGY**

Flow Rate: M.P

0.2bar	0.5bar	1bar	2bar	3bar
3.3L/min	5.4L/min	7.8L/min	11L/min	13.6L/min



BOX SIZE 340 x 185 x 70 mm