

TAP015PL- PLAN BASIN PILLAR TAPS

ILLUSTRATION: PLAN BASIN PILLAR TAPS

BAR CODE: 5060168228536

COLOUR: CHROME PLATE

WEIGHT:

NET 1.26 kg

GROSS 1.4 kg

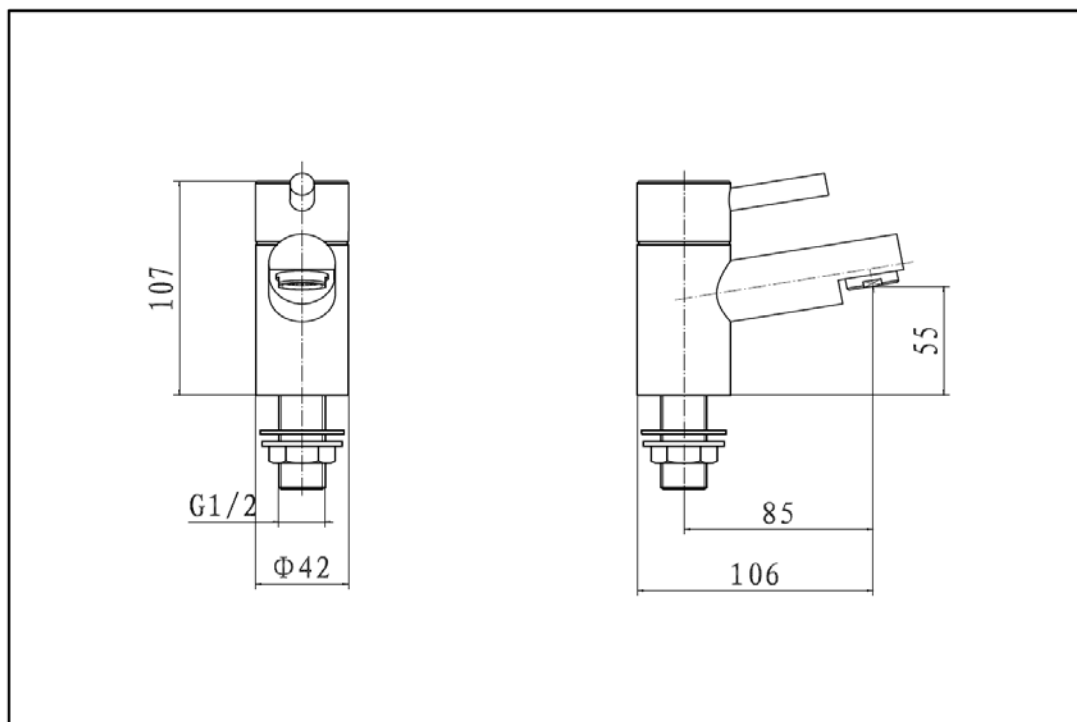
STANDARDS: BS EN 200

NOTES:

1/2" BSP CONNECTIONS
CERAMIC DISC TECHNOLOGY

Flow Rate: L.P

0.2bar	0.5bar	1bar	2bar	3bar
5.5L/min	8.4L/min	12.7L/min	16.8L/min	20.8L/min



BOX SIZE 220 x 150 x 90 mm