

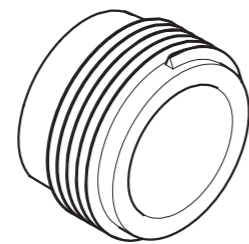
# BRISTAN

## Installation Instructions & User Guide

Please leave these instructions with the end user

Product Code: W BASIN16 C (D2)

### Inlet Connections



G 1 1/4"

### Prior to Installation

All products manufactured and supplied by Bristan are safe provided they are installed, used correctly and receive regular maintenance in accordance with these instructions

Isolation valves **must** be fitted to the inlet water supplies to ensure ease of future maintenance.

This valve allows safe flushing of the tap or shower to avoid installation debris to clog up the mechanical areas of the valve.

This product **must** not be modified in any way as this will invalidate the guarantee.

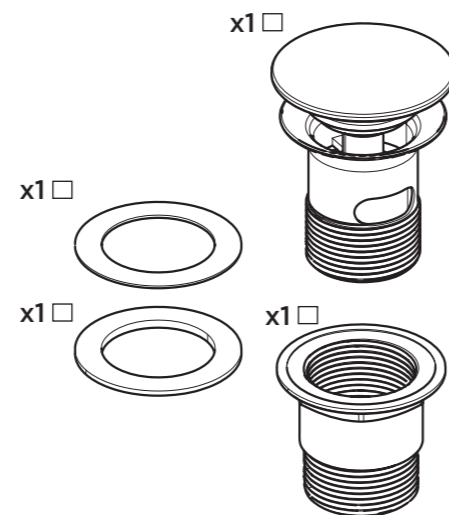
Full access must be made available for future maintenance / servicing purposes.

This product needs to be installed in accordance with, and meet the requirements of the Water Supply (Water Fittings) Regulations 1999 and Scottish Byelaws 2004.

If in doubt, contact a registered plumber or your Local Water Authority or the Secretary of the Institute of Plumbing, address as follows:-

The Institute of Plumbing,  
64 Station Lane,  
Hornchurch,  
Essex,  
RM12 6NB, Tel: 01708 472791

### Pack Contents



### Why not visit our Youtube channel

To see our latest how-to videos, simply scan the QR code with your smart phone or tablet.

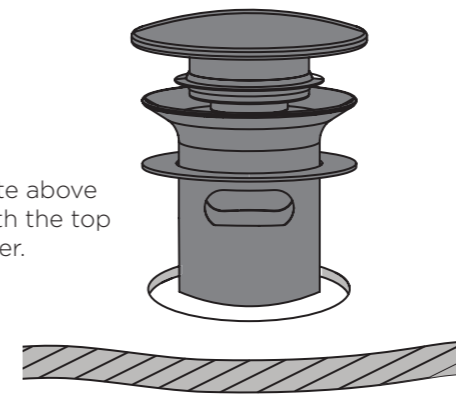


Alternatively visit [www.youtube.com/bristanTV](http://www.youtube.com/bristanTV)

### Installation

1

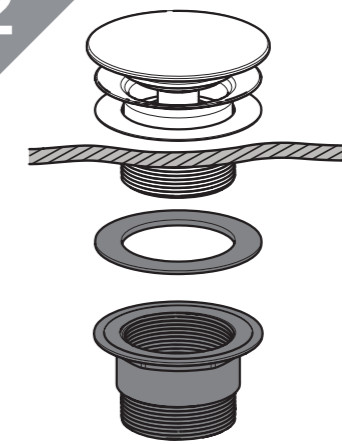
Fit the waste above the basin with the top washer.



2

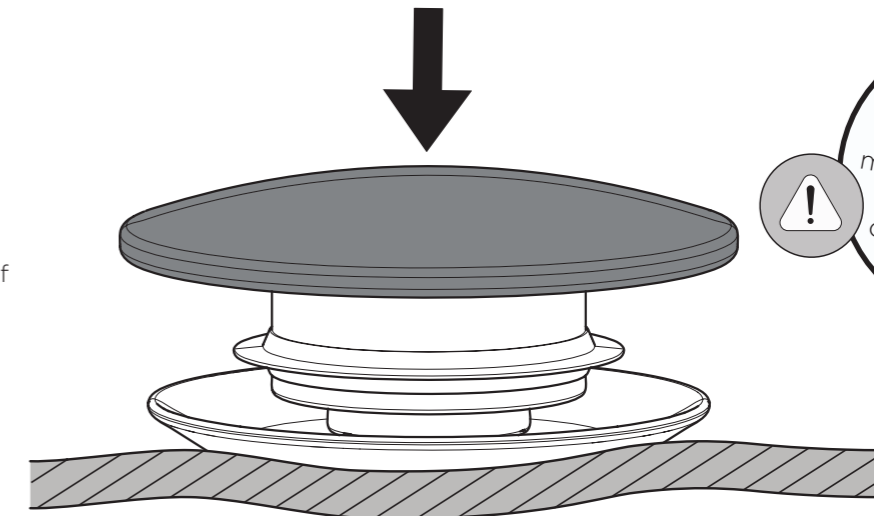
Secure waste under the basin with backnut and bottom washer.

Connect the waste pipework.



### Waste Operation

Push the centre down to close the waste. Push again to open and release contents of basin.



**IMPORTANT**  
Turn on water supply for a few minutes and check all joints and connections for any leaks.

### General Cleaning

Bristan products are made from premium materials, with hand polishing and electroplated finishes.

Your taps or shower should be regularly cleaned with warm water, a mild pH-neutral liquid soap, and polished with a soft cloth. Any residues from soap, toothpaste, shampoos and shower gels can cause blemishes if not rinsed off straight after use.

Household bleaches and cleaners contain harsh chemicals and may damage the surface finish. Avoid using abrasive cloths, scouring pads, scrub sponges, steel wool or anything similar.

Some surfaces such as nickel and pewter may be affected by the dye found in some cloths, so it is also important to avoid hanging cloths on spouts.

### Notes

At Bristan, we want to make things as easy as possible for our customers. That's why we offer solid guarantees on all our products, effective from the date of purchase, to give you peace of mind.

To start your free guarantee simply scan the QR code and register your product. Alternatively visit [www.bristan.com/register](http://www.bristan.com/register) to register your product via a computer.

For full guarantee terms and conditions visit [www.bristan.com/guarantees](http://www.bristan.com/guarantees).



*We Know & We Care*