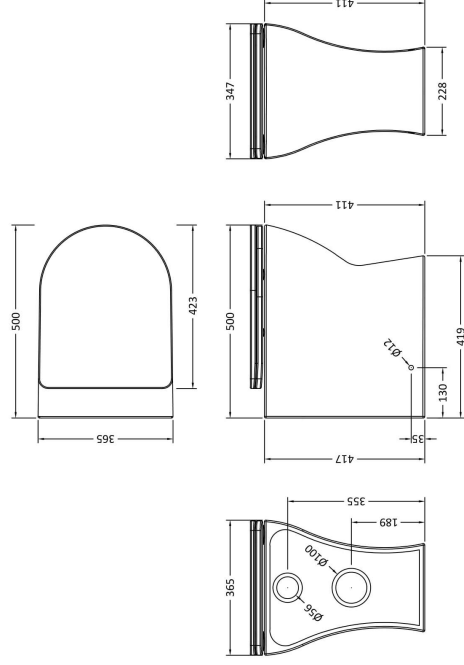


Sales Code: Ncg306

Description: Freya Btw Pan C/W S/C Seat

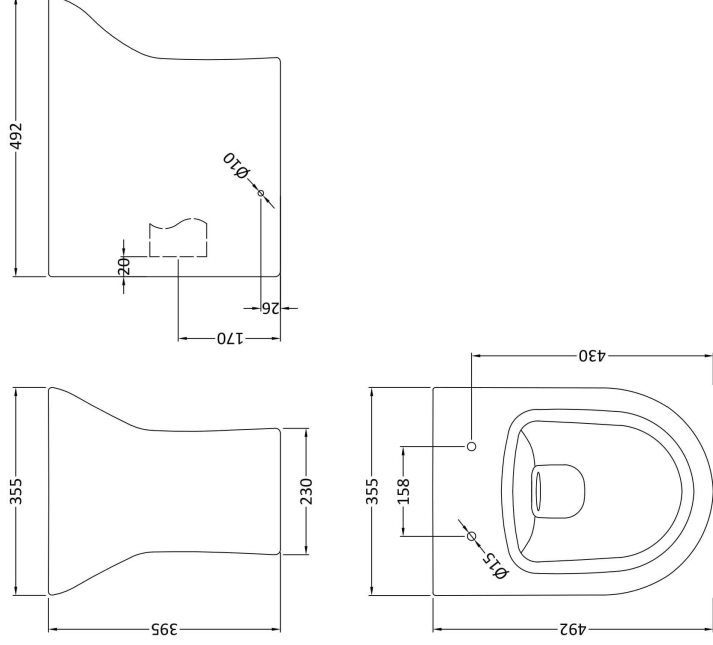
Packaging Details

Barcode: 5056211872016



Sales Code: NCG206

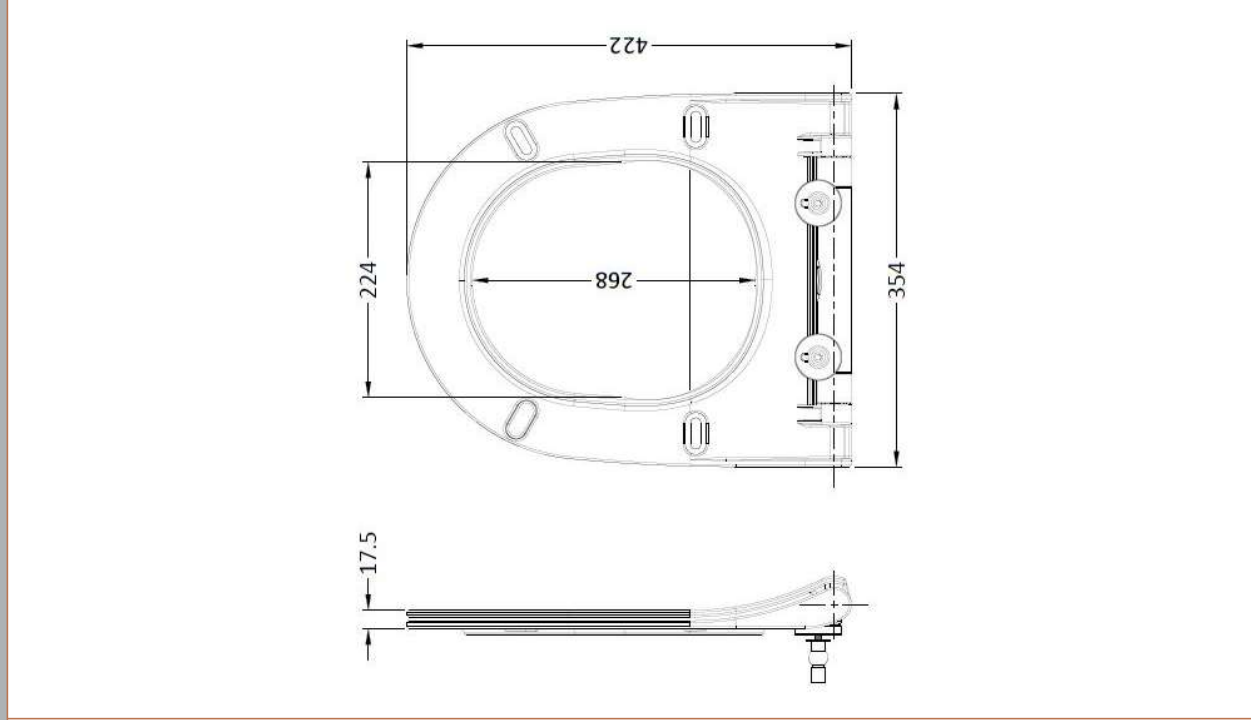
Description: Round Back To Wall Pan



Product Dimensions	
Height (mm):	409
Width (mm):	364
Depth (mm):	494
Nett Weight (kg):	21.22
Packaging Dimensions	
Height (mm):	360
Width (mm):	420
Depth (mm):	530
Gross Weight (kg):	22.41
Packaging Data	
Box Colour:	Brown Cardboard Box
Box Qty:	1
Label Size:	100 x 50
Label Colour:	White Label
Label Qty:	2
Outer Box Dimensions (If Applicable)	
Height (mm):	
Width (mm):	
Depth (mm):	
Gross Weight (kg):	
Barcode:	5055275825013
Product Details	
Country of Origin:	China
Fitting Instruction:	No
Certification:	CE: Yes WRAS: N/A WRAS No: N/A
Product Material:	Vitreous China
Fixing Supplied:	Yes
Pans/Bidets:	
Trap Style:	P Trap
Includes Seat:	No
Seats:	
Seat Type:	Round
Function:	Not Applicable
Hinge Material:	Not Applicable
Hinge Type:	Top Fix
Cisterns:	
Operating Type:	Not Applicable
Lever Type:	Not Applicable
Fittings:	Not Applicable
Basins:	
Tap Hole:	Not Applicable
Chain Stay Hole:	Not Applicable
Templatc:	Not Applicable
Waste Type Req:	Not Applicable
Overflow Inc:	Not Applicable
Overflow Cover:	Not Applicable
Inner Bowl Depth (mm):	N/A

Sales Code: NCG398

Description: Round Sandwich Soft Close Seat



Product Dimensions

Length (mm):	352
Width (mm):	46
Height (mm):	1.5
Nett Weight (kg):	

Packaging Dimensions

Length (mm):	450
Width (mm):	365
Height (mm):	52
Gross Weight (kg):	1.5

Packaging Data

Box Colour:	White Cardboard Box
Box Qty:	1
Label Size:	100 x 50
Label Colour:	Not Applicable
Label Qty:	1

Outer Box Dimensions (If Applicable)

Length (mm):	
Width (mm):	
Height (mm):	
Gross Weight (kg):	24
Barcode:	5056211805922

Product Details

Country of Origin:	China
Fitting Instruction:	No
CE Certification:	Not Applicable
Product Material:	Polypropylene
Seat Type:	Round
Seat Function:	Soft Close
Hinge Centres (Min):	
Hinge Centres (Max):	
Hinge Material:	Stainless Steel Nylon
Colour/Finish:	White
Fixing Method:	Top Fix