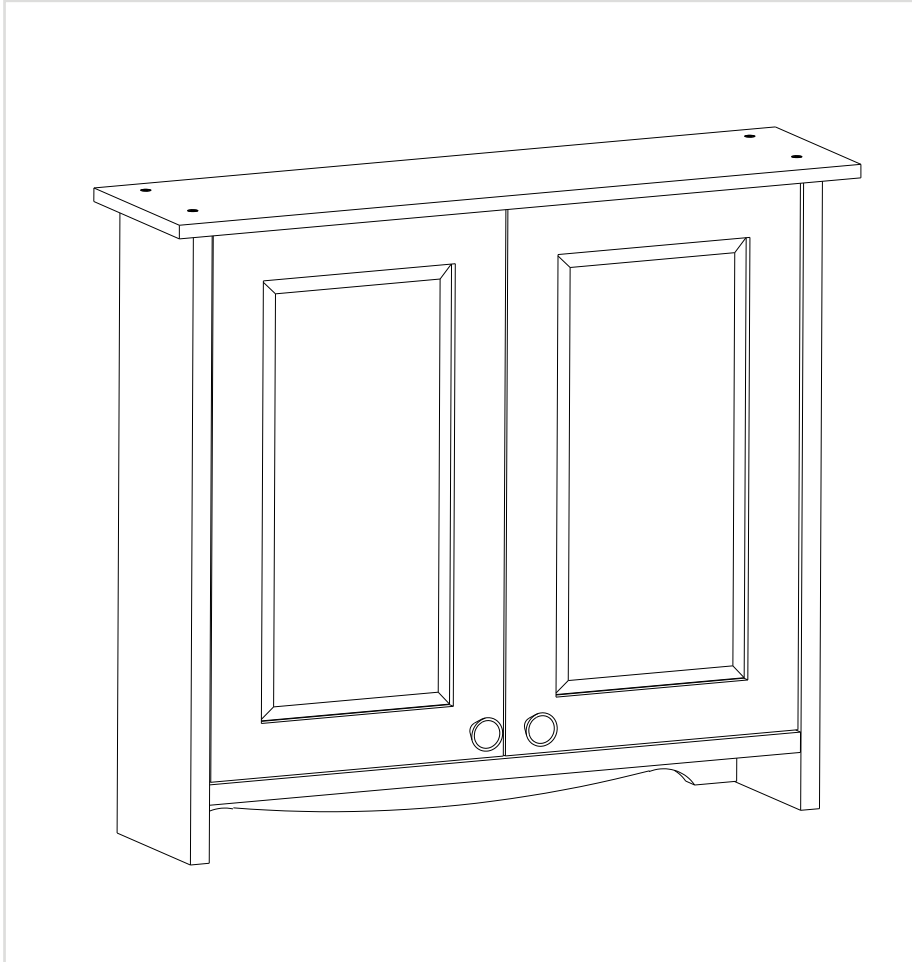


GUILD

Mirror Cabinet



PRODUCT CODES:

GU6057AG_CAB
GU6057CG_CAB
GU6057VW_CAB



IMPORTANT INFORMATION BEFORE YOU START

Please read carefully and keep this information for further reference.

Thank you for buying a Burlington Product. To ensure that it works to its full potential, it needs to be fitted correctly. Check the content of the pack carefully before installation. Burlington will not be held responsible for any de-fit/re-fit costs where faulty product has been fitted. If any fault is found with materials or workmanship, it must be reported immediately to the manufacturer. Remedial action will be taken, based on information received, on condition that:

1. Full details are supplied to the manufacturer.
2. The product has not been modified or tampered with
3. The manufacturer is informed of any damage/shortages prior to installation.
4. The product has not been installed, or attempts have been made to install.

We do not accept responsibility for any problems that may occur through incorrect installation.

This product should only be installed by a suitably qualified Plumber/installer. Should the installation be completed by a non-qualified person any product guarantee maybe considered invalid. For a claim made under our warranty written certification of your installer's qualifications can be required.

It is advised that all doors and drawers are removed prior to fitting to avoid unnecessary damage occurring. It is recommended that the furniture and accessories are installed after tiling, ensuring that the product is installed flat to the tile face and allows product to be easily removed if required in the future.

BEFORE YOU START







IMPORTANT INFORMATION

Please read carefully and keep this information for further reference.

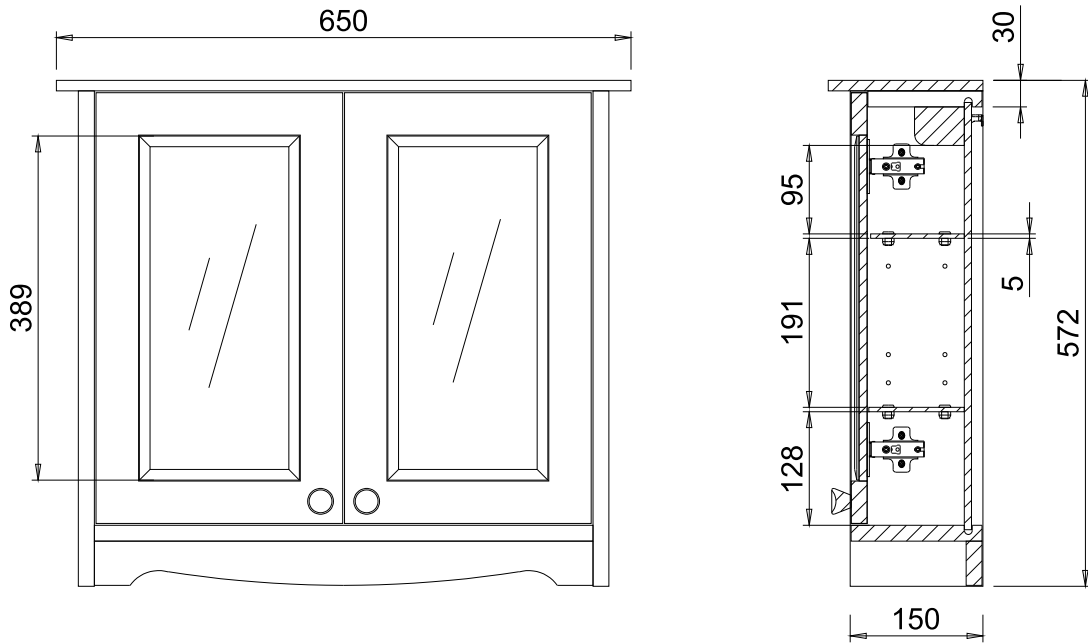
Please check for any hidden pipes or electrical cables before drilling holes in the floor or walls.

When using power tools always follow the manufacturer's user instructions. This installation guide details fitting to a solid wall. If your bathroom has studded/plasterboard walls, please use appropriate plasterboard fixings. Please ensure the wall can take weight of units detailed above. Before installing a wooden bathroom unit into a new property, extension or recently plastered room we strongly advise the building/room is completely dry, well ventilated and adequately heated.

Tools Required (not supplied):

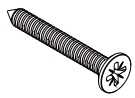
Spirit Level		Screwdriver	
Pencil		10 mm Drill Bit	
Drill		Measuring Tape	

DIMENSIONS



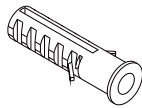
NOTE: ALL DIMENSIONS IN MILLIMETRES

FIXINGS



12X

screw



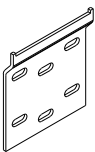
12X

expansion bolt



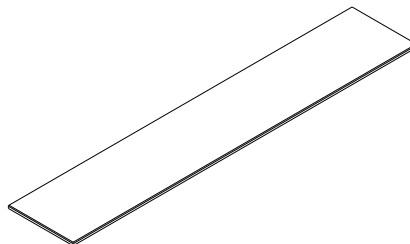
8X

bracket



2X

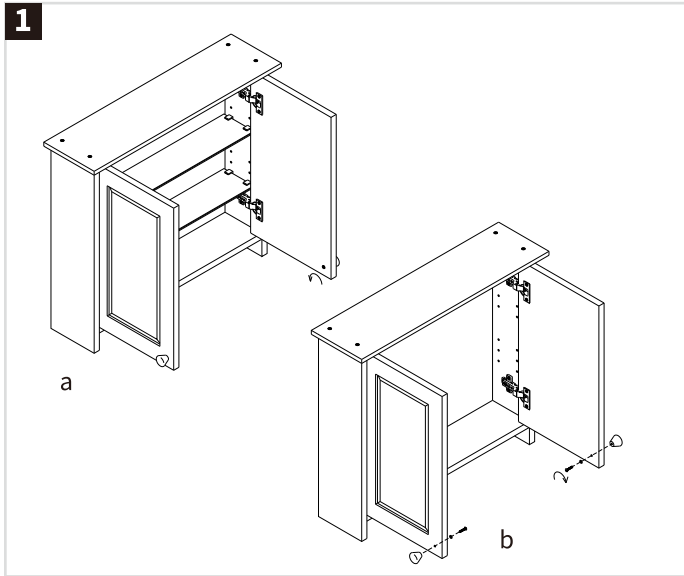
lacing film



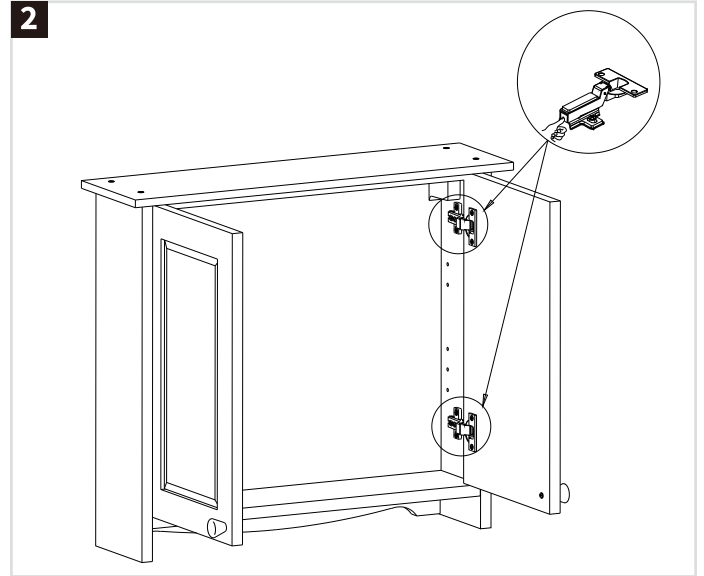
2X

glass shelf

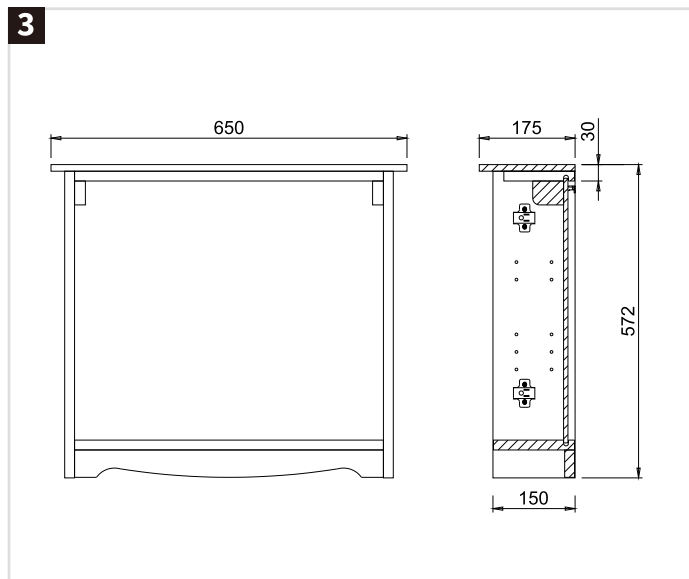
INSTALLATION



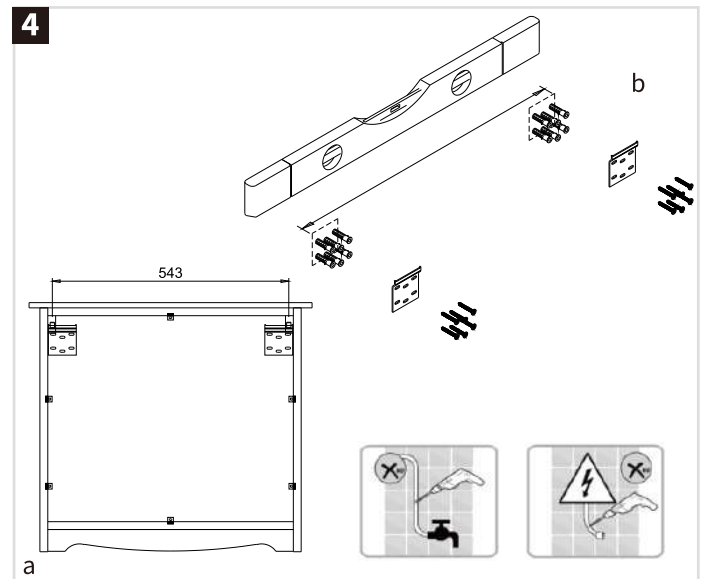
1 Install the handle facing outward



2 Remove the door panel before mounting the wall



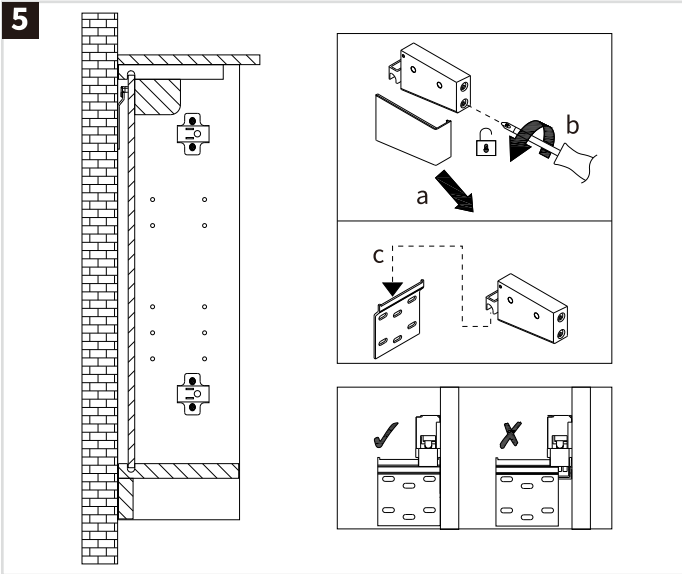
3 Plan the position of the mirror cabinet



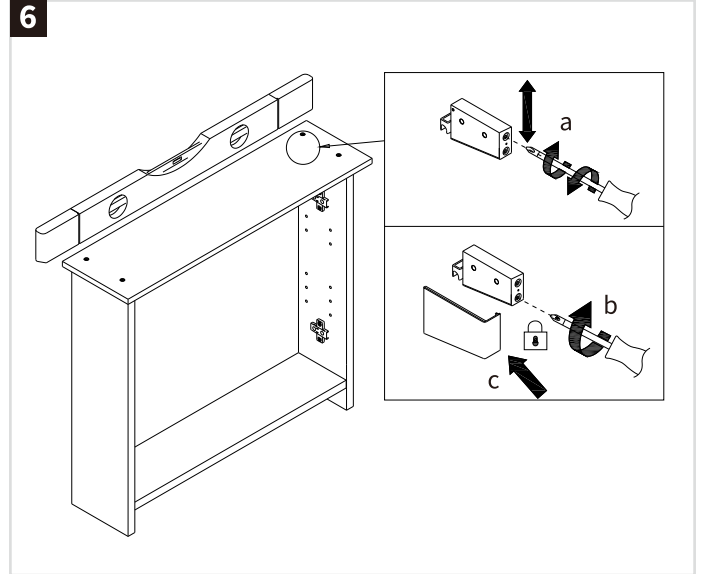
4 Punch holes and install wall hanging accessories

- a) Position the hanging piece on the upper wall according to the measured value shown in the diagram
- b) Mark the fixing hole on the wall according to the inner length of the mirror cabinet, and insert the expansion bolt into the wall with a depth of 10mm and at least 40mm, then use screws to fix the hanging piece on the wall.

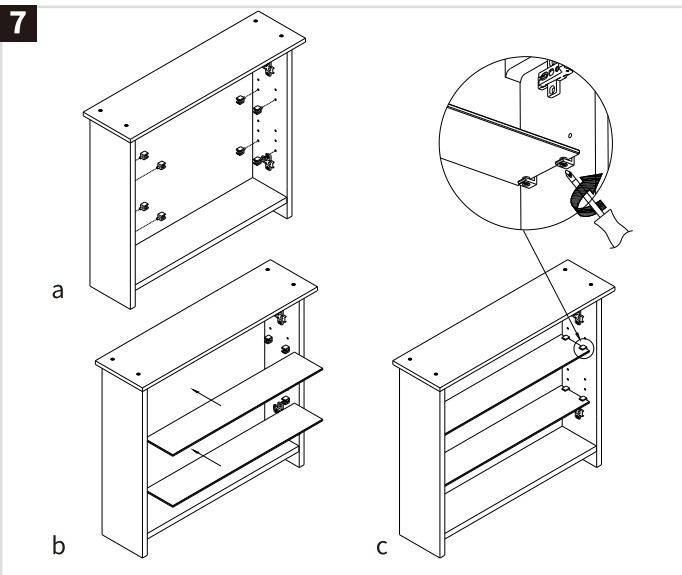
INSTALLATION



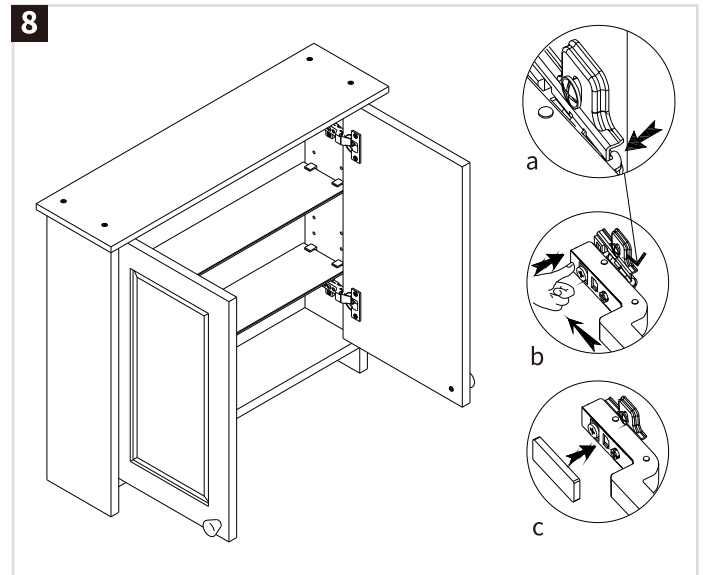
Install the mirror cabinet



Fixed mirror cabinet body to the wall. Ensure cabinet is straight using a spirit level

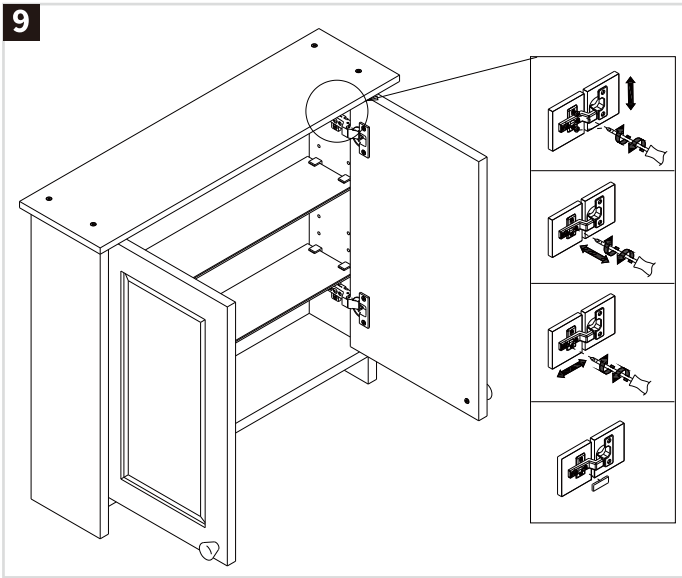


Install glass shelves

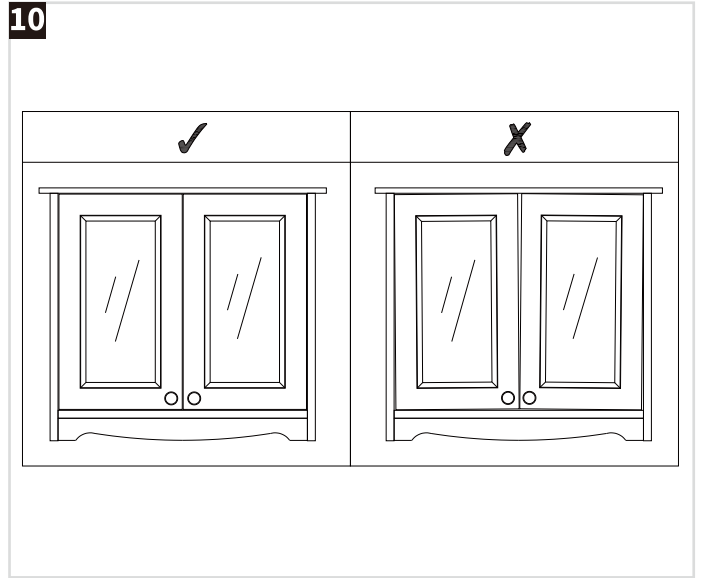


Mounting cabinet door

INSTALLATION



Adjusting door panel



Make sure the gap between the door panels is even

CARE & MAINTENANCE

Clean regularly using with warm soapy water and polish with only a soft cloth. Any residues from soap, toiletries etc. should be rinsed off straight after use. Household bleaches and cleaners containing harsh chemicals may damage the surface finish.

Avoid using abrasive cloths, scouring pads, scrub sponges, steel wool or anything similar. Lime-scale marks can be cleaned using a diluted lime-scale remover used in accordance with manufacturers instructions.

Ceramic, glass and cast mineral marble basin products should be cleaned regularly with warm soapy water, then rinsed with clean water and, if desired, dried and polished with a soft cloth. Lime scale deposits can be removed using a 50:50 solution of warm water and lime scale remover and soft clean cloth. We recommend regular cleaning with Cream Polish SD150RW, specially formulated to clean and help protect the surface of glass and cast mineral marble basins. Please also take care not to damage the lacquered surface on the underside of the glass washbasin that gives the washbasin its colour. Damage to the underside of the washbasin may be visible through the glass. Take care how you handle the washbasin prior to installation and place it on a soft surface to avoid damage. Regularly clean worktop, carcass and drawer using a micro-fibre cloth. Do not use abrasive cleaners or bleach as this will permanently damage the lacquered surfaces. If any maintenance is required then it must be carried out by a qualified Plumber.