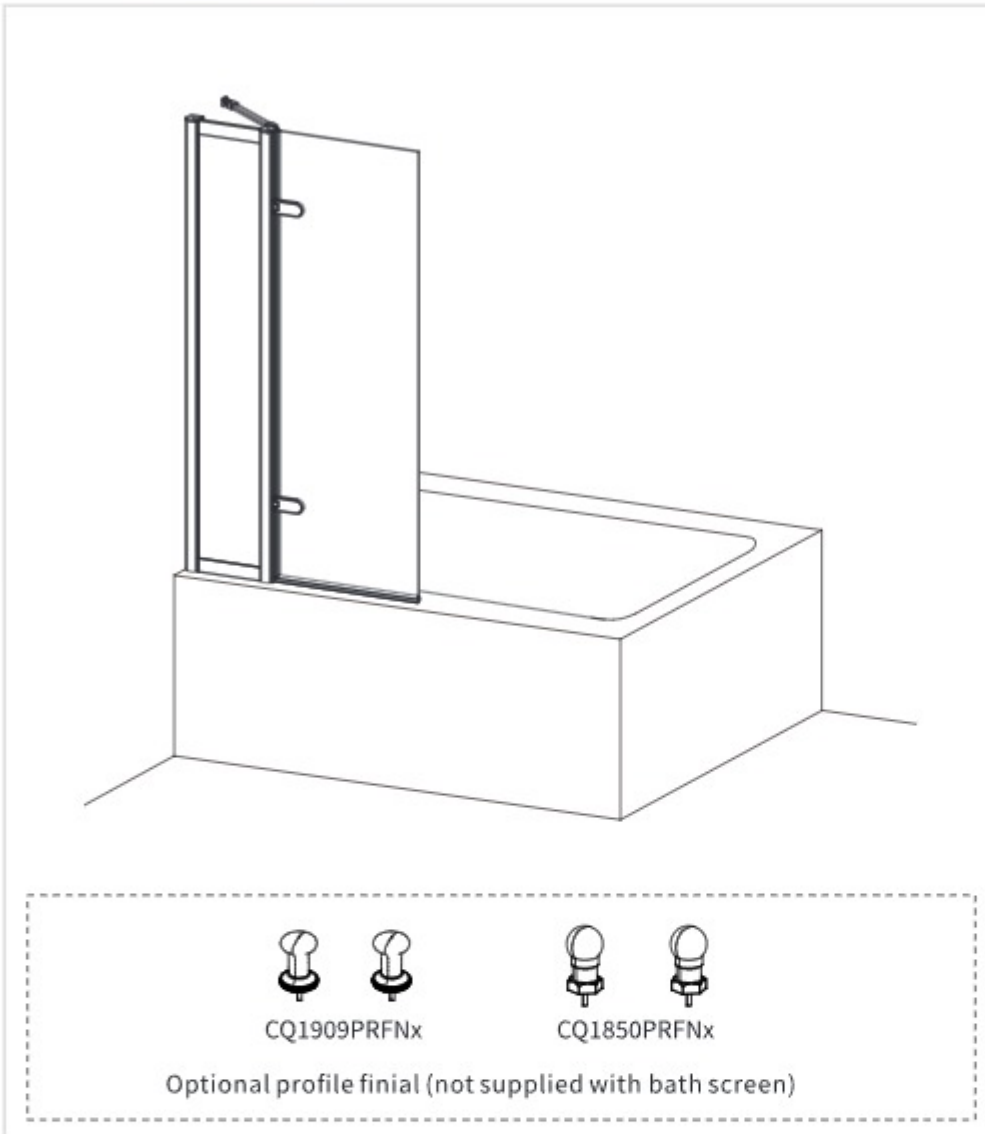


# CLASSIQUE

*Burlington*<sup>®</sup>

Hinged Inline Bath Screen



**PRODUCT CODES:**

CQBSILC0850  
CQBSILGC0850  
CQBSILLC0850

## 1. Pre-Installation Checklist

### ☑ Before You Begin:

- Ensure all tiling/grouting is complete.
- Bathtub **must be level and sealed** to tiles.
- Verify door dimensions match your space (see Section 3).
- Check for hidden pipes/cables before drilling.

### ⚠ Safety Notes:

- **Two people required** for installation (glass is heavy!).
- Wear gloves when handling glass edges.

## 2. Unpacking & Components

### Confirm all parts are present:

- Please refer to all components included on following page titled “COMPONENTS”

### Missing/Damaged Parts?

Contact Bathroom Brands immediately: ☎0345 873 8840.

## 3. Step-by-Step Installation

### A. Frame Assembly

#### 1) Mark Drill Points:

- Use a spirit level to mark vertical lines for wall profiles.
- Drill 6mm holes at marked points; insert wall plugs.

#### 2) Attach Wall Profiles:

- Secure profiles with ST4x50mm screws (×4 total).
- Cover ends with profile caps if any.

### B. Door Installation

#### 3) Hang the Door:

- Following the instruction to assemble the door, ensure door is fully secured.
- Make necessary adjustment if door doesn't close smoothly.

#### 4) Apply Seals:

- Install necessary seals provided on door and side panel if any.

### C. Final Checks

#### 5) Level & Secure:

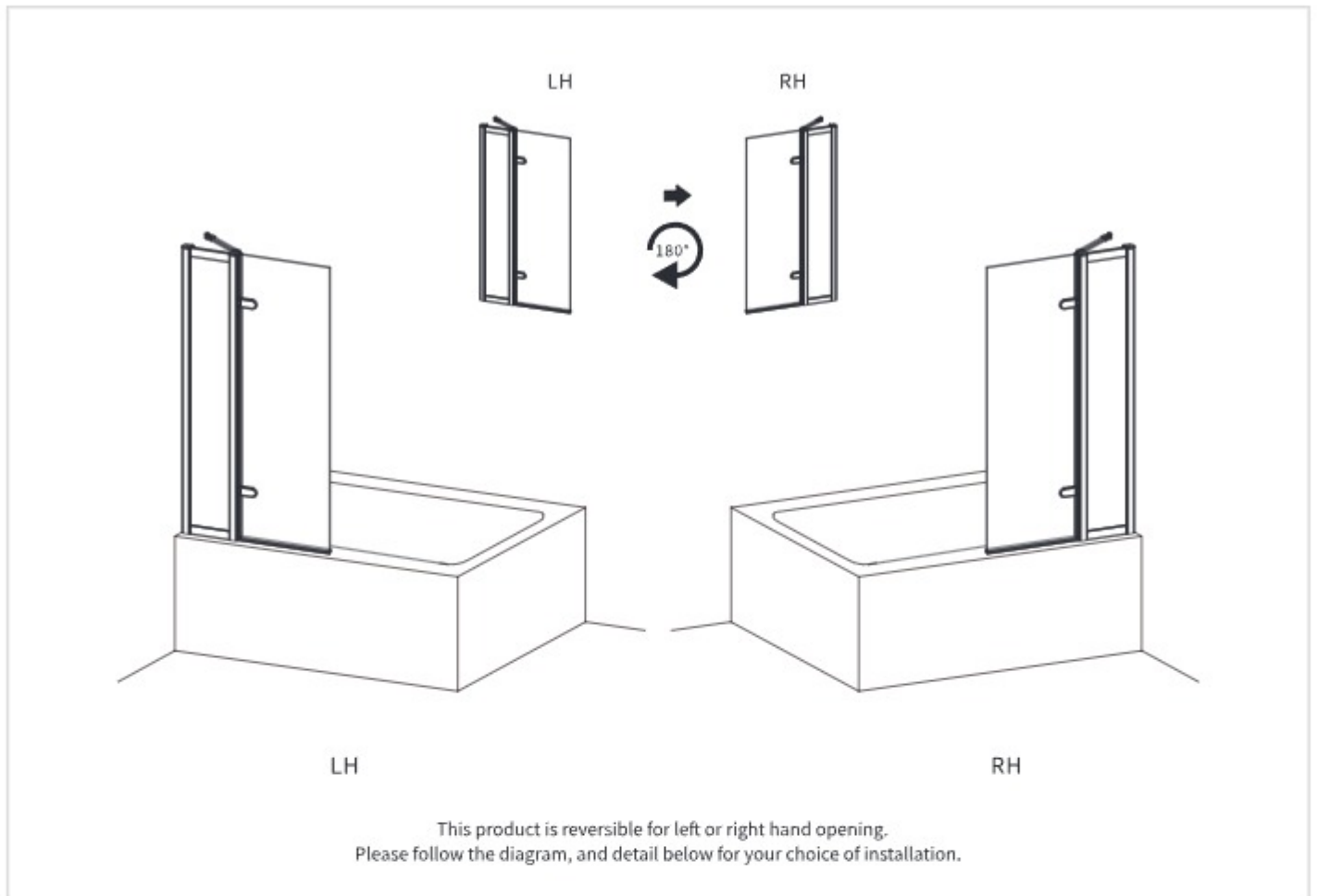
- Confirm door is level; tighten all screws.
- Let silicone cure for 24 hours before use.

## 4. Care & Maintenance

- **Cleaning:** Use only **pH-neutral soapy water** (pH 6.8–7.2).
- **Avoid:** Abrasives, solvents, or acidic cleaners.

Ensure seals are flush to prevent leaks.

## ORIENTATION

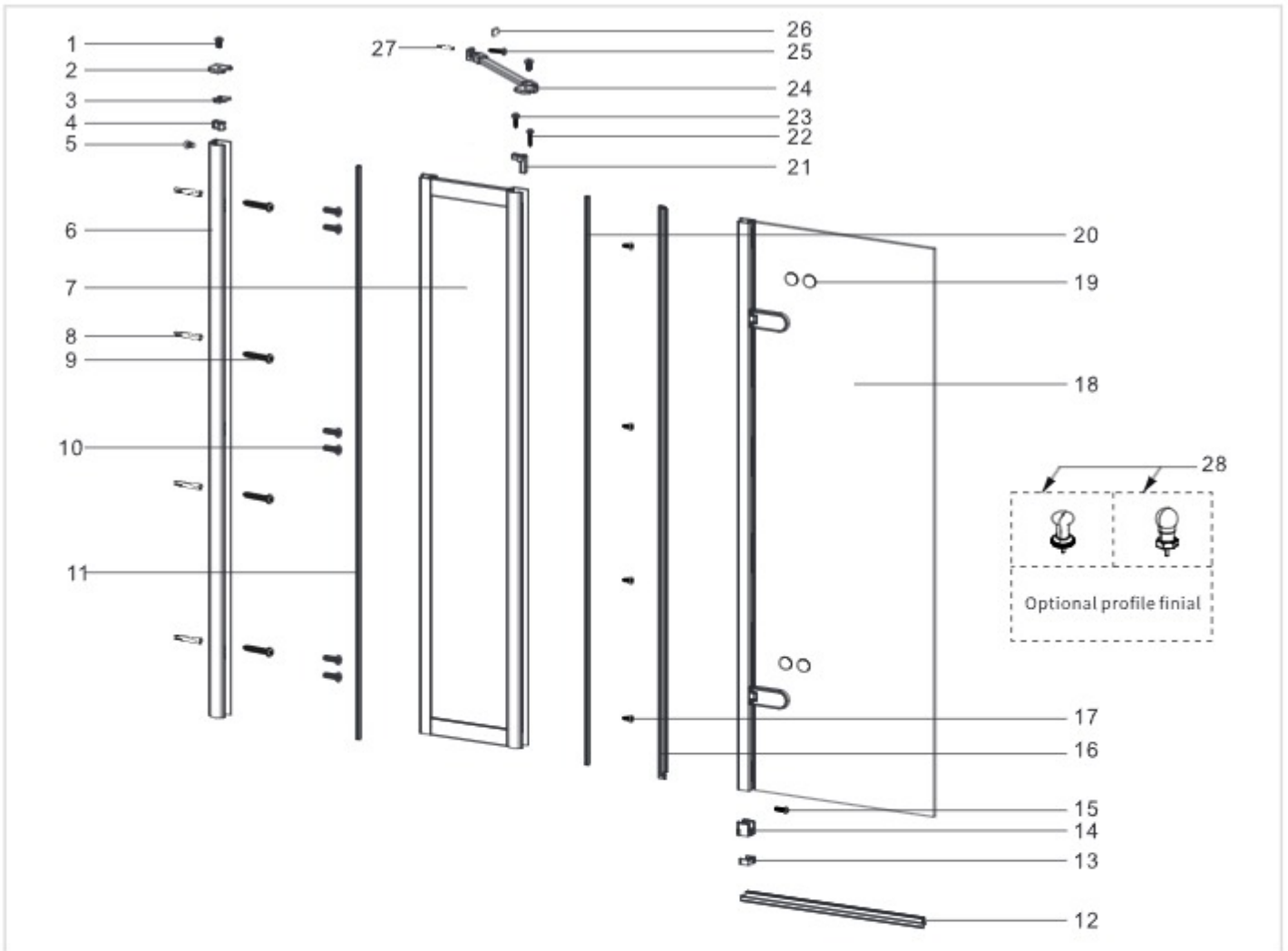


### Tools Required (not supplied):

Spirit Level		Torque Screw Driver	
Pencil		Snips	
Drill		6mm Drill Bit	
Silicone		Measuring Tape	
Knife			

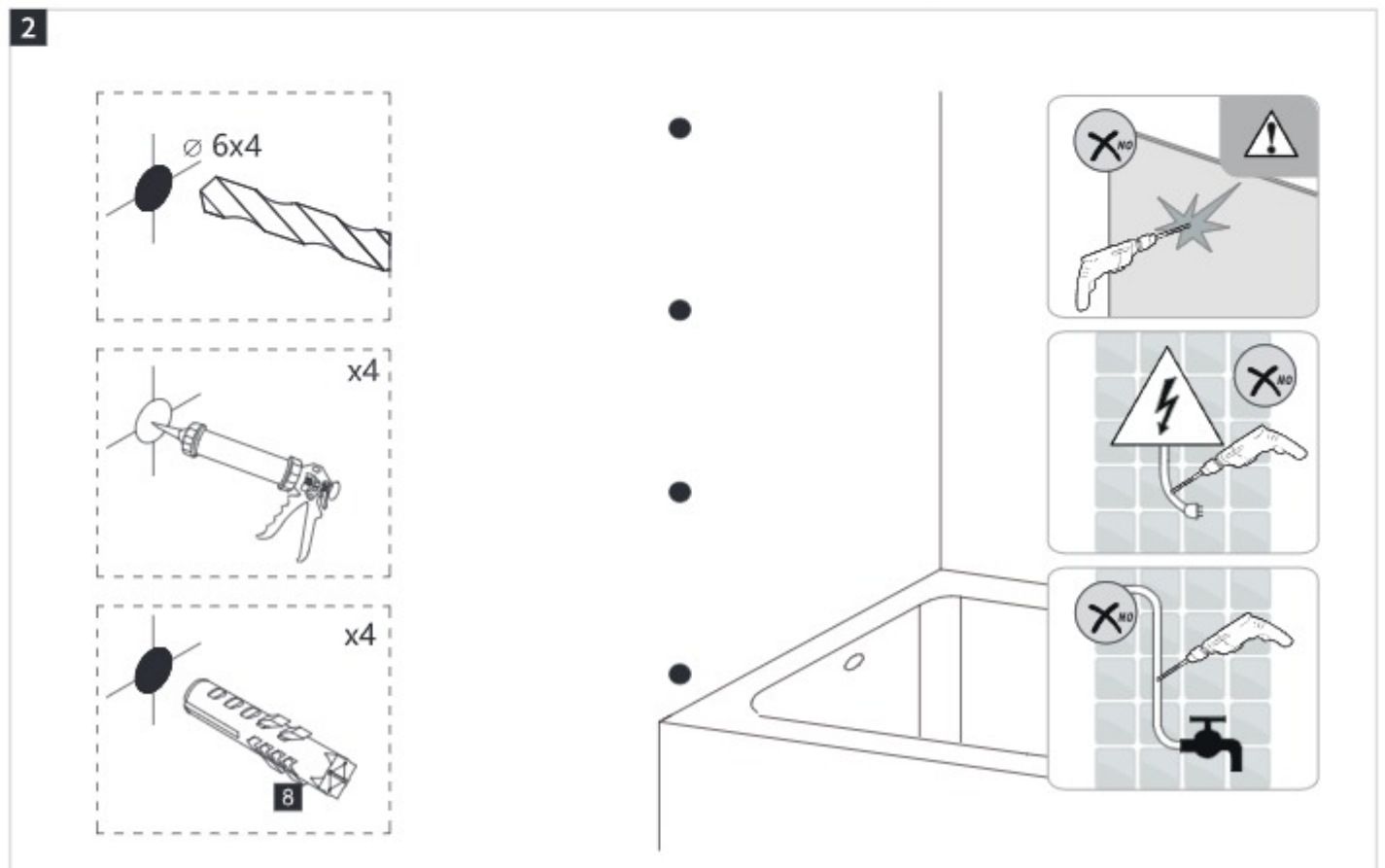
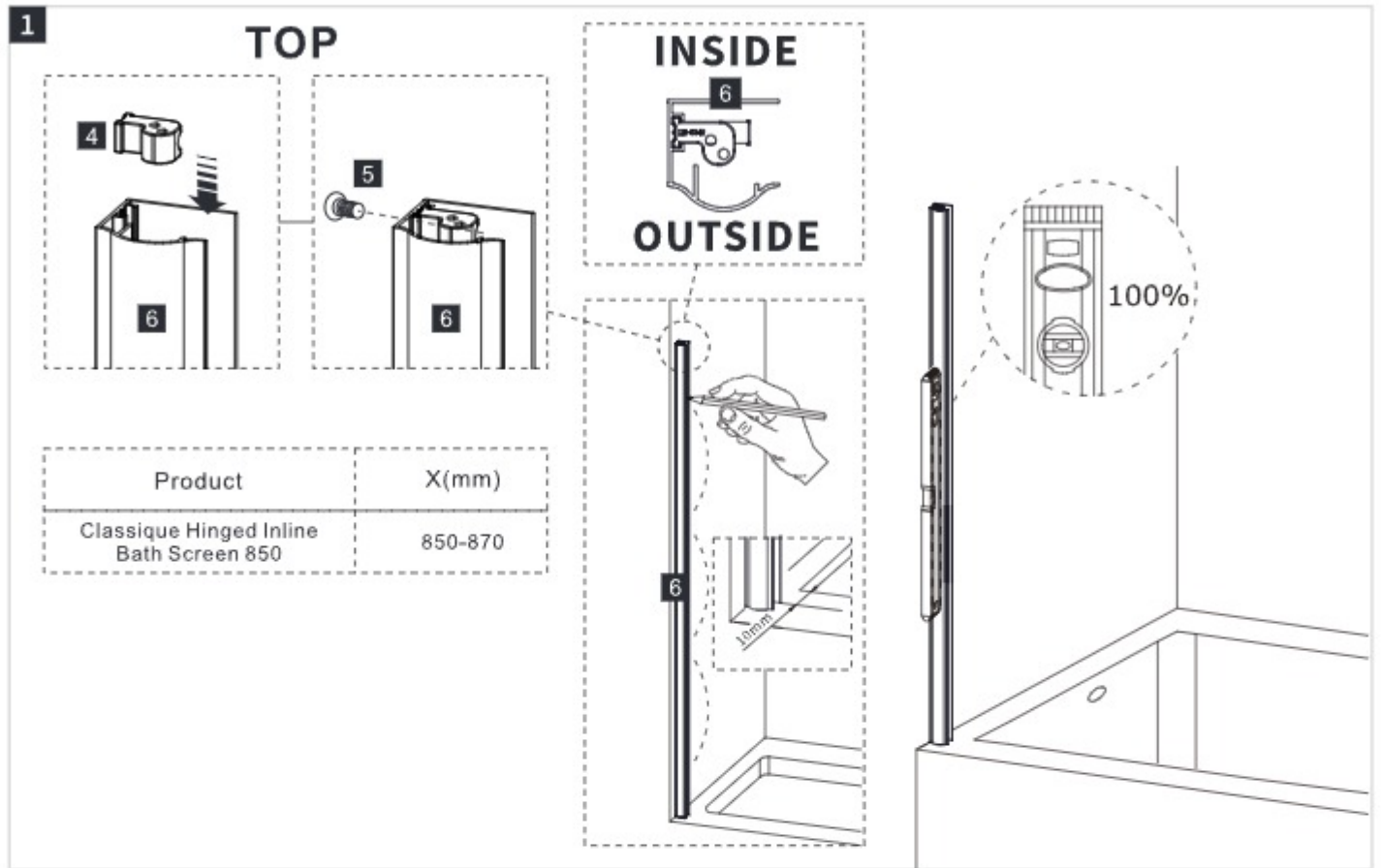
**COMPONENTS**

*Burlington®*

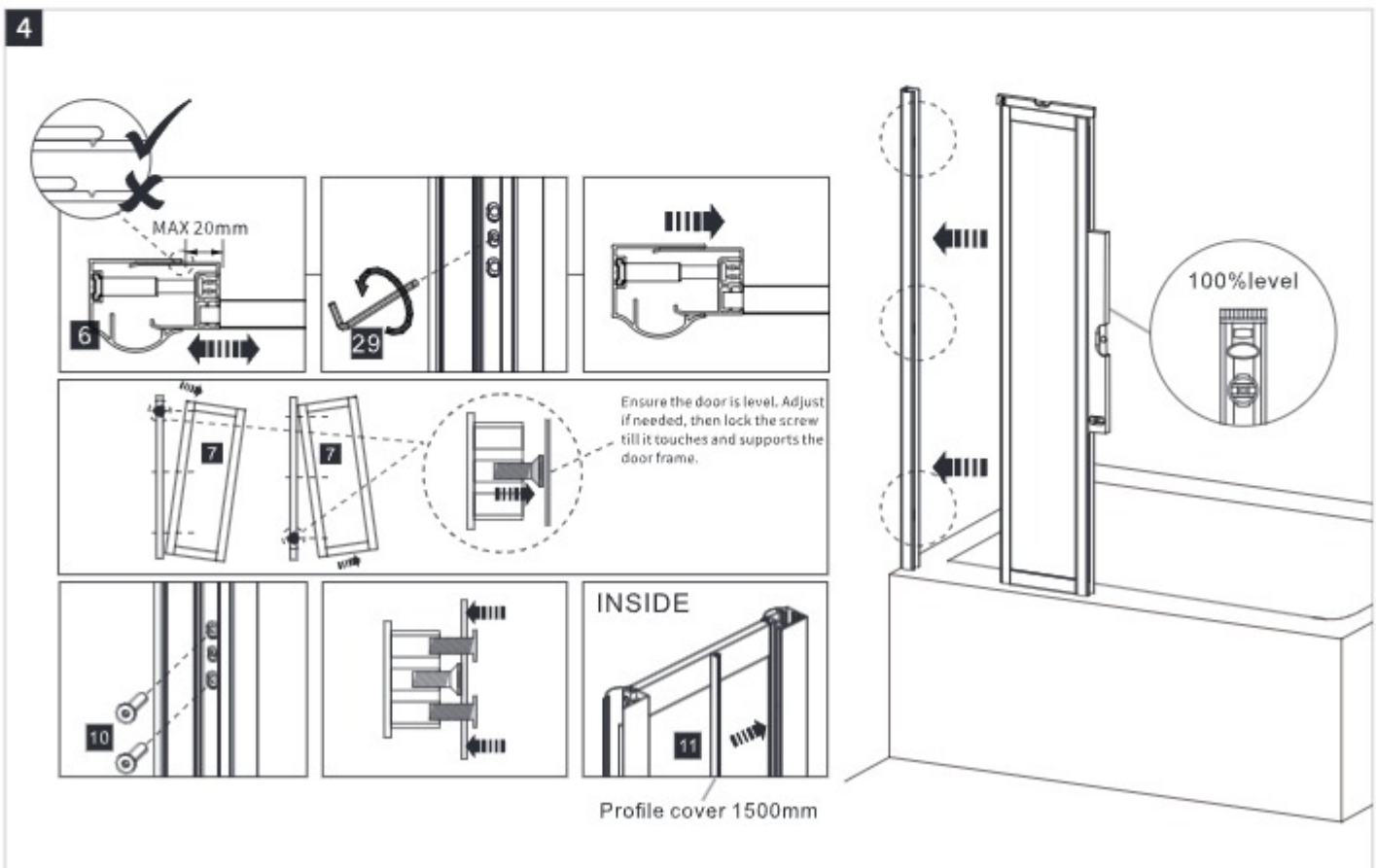
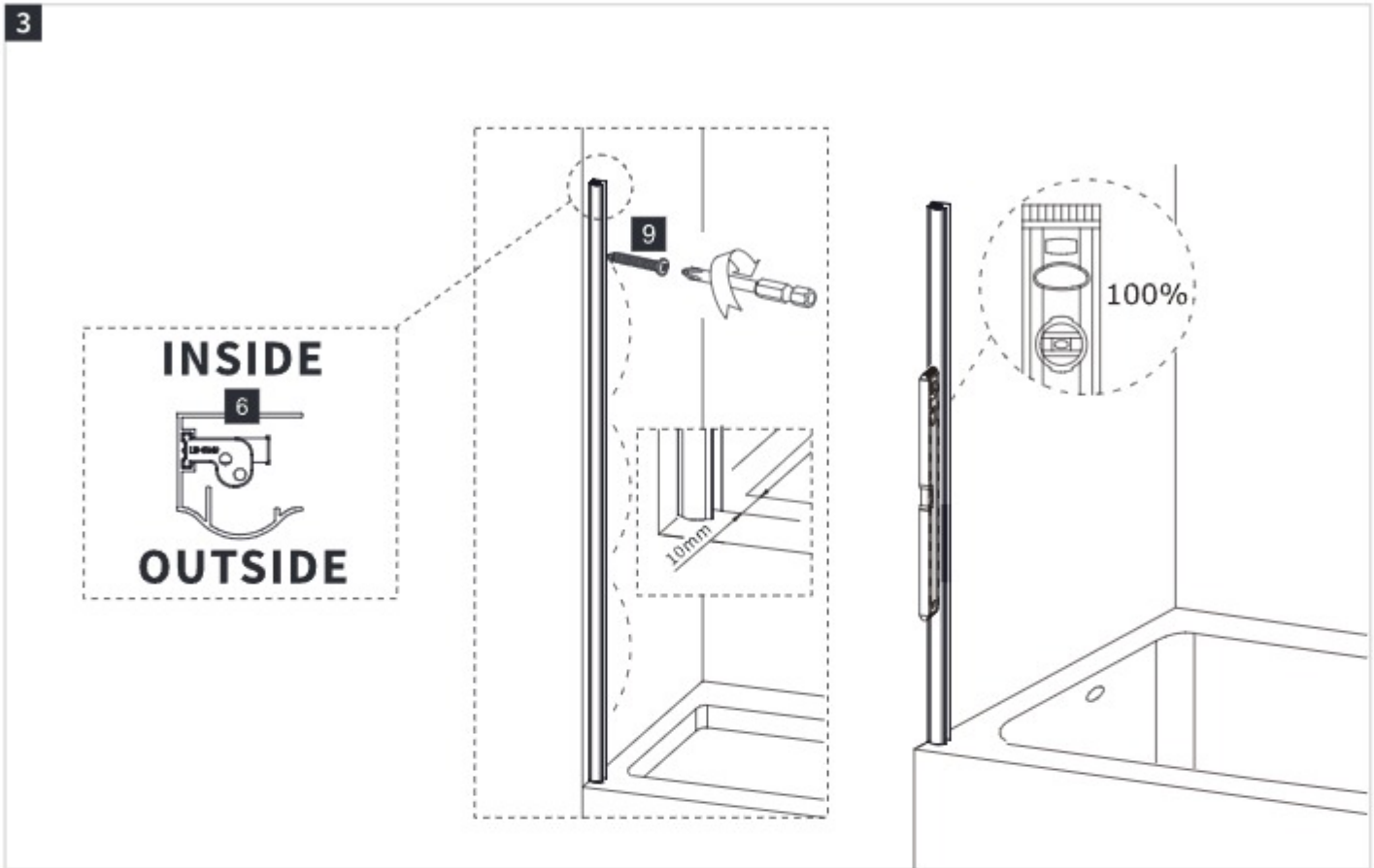


<b>1</b> M5*14mm Screw x2	<b>2</b> Wall Profile Cap L x1 R x1	<b>3</b> Adjustment Profile Cap x1	<b>4</b> Fixing Part Of Profile Cap x1
<b>5</b> M4*12mm Screw x1	<b>6</b> Wall Profile x1	<b>7</b> Fixed Panel x1	<b>8</b> Wall Plug x4
<b>9</b> ST4*50mm Screw x4	<b>10</b> M5*30mm Screw x6	<b>11</b> Profile Cover L=1500mm x1	<b>12</b> Bottom Seal x1
<b>13</b> Cover Cap x1	<b>14</b> Gasket x1	<b>15</b> M4*10mm Screw x1	<b>16</b> Vertical Door Seal x1
<b>17</b> ST4*8mm Screw x4	<b>18</b> Moving Door x1	<b>19</b> Hinge Cap x4	<b>20</b> Profile Cover L=1487mm x1
<b>21</b> Fixing Part Of Bracing Bar Lx1 Rx1	<b>22</b> ST4*50mm Screw x1	<b>23</b> ST4X30mm Screw x1	<b>24</b> Bracing Bar x1
<b>25</b> ST5*40mm Screw x1	<b>26</b> Screw Cap Of Bracing Bar x1	<b>27</b> Wall Plug x1	<b>28</b> Optional Profile Finial x2
			<b>29</b> Allen Key 4mm 3mm 2.5mm

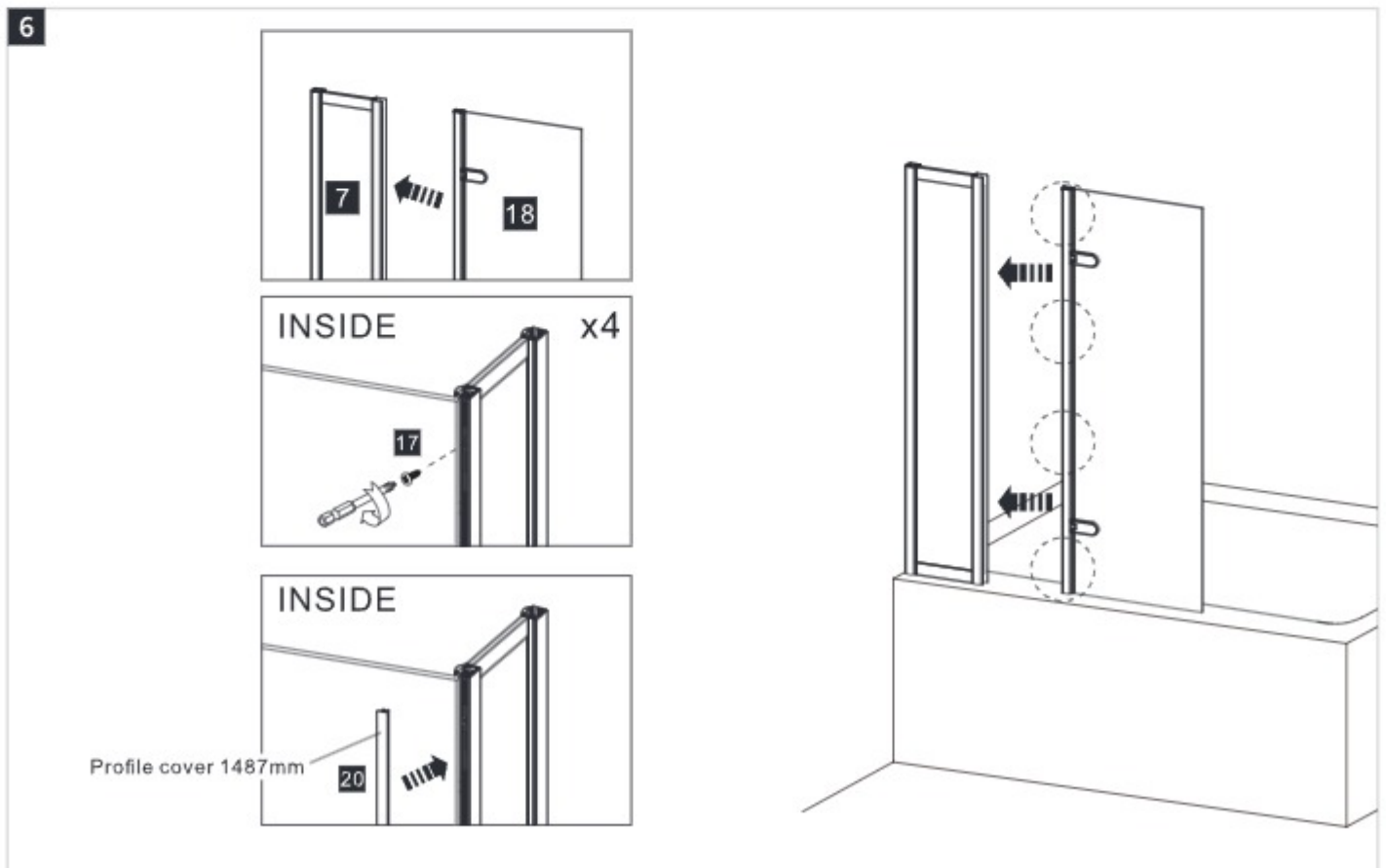
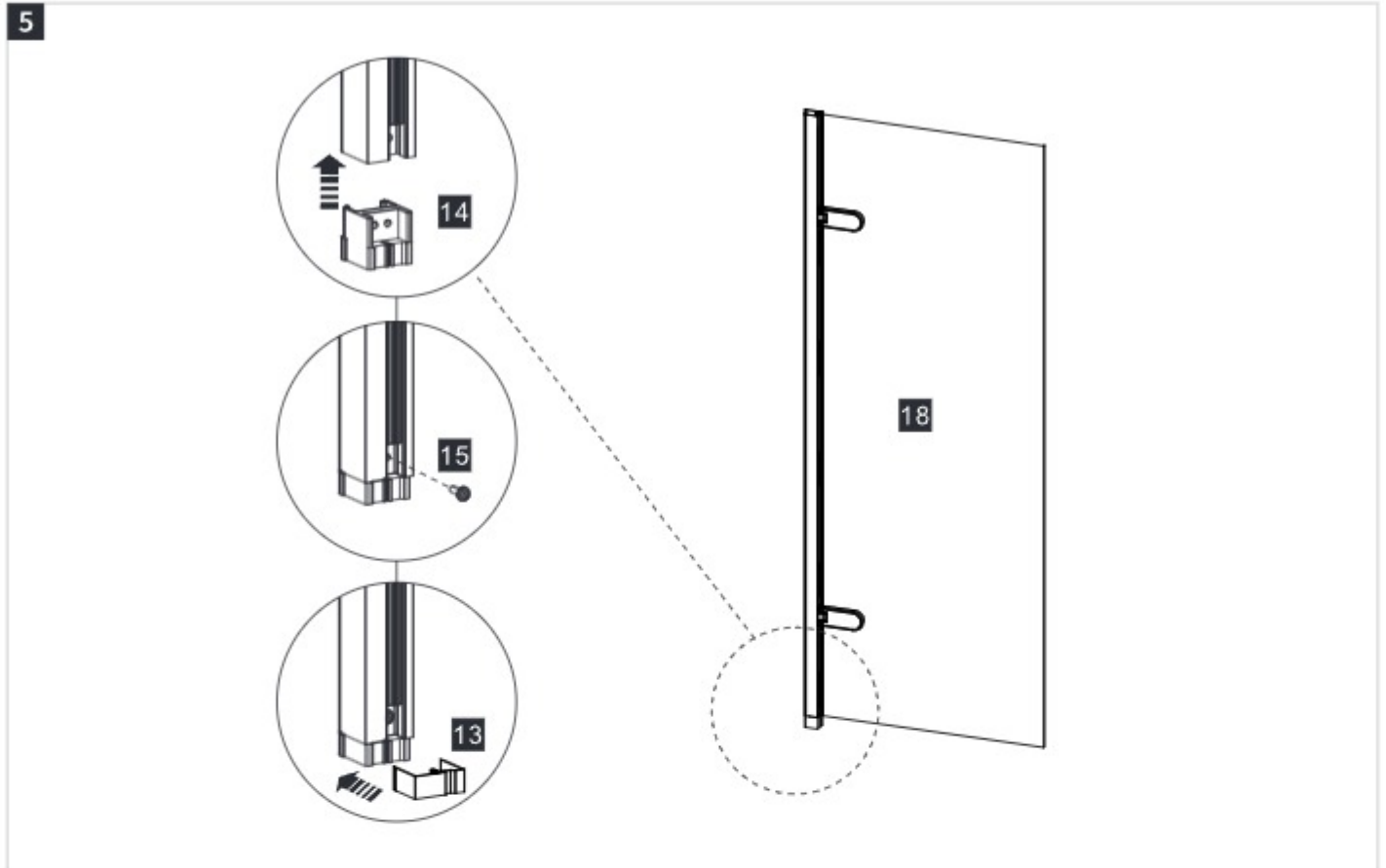
## INSTALLATION



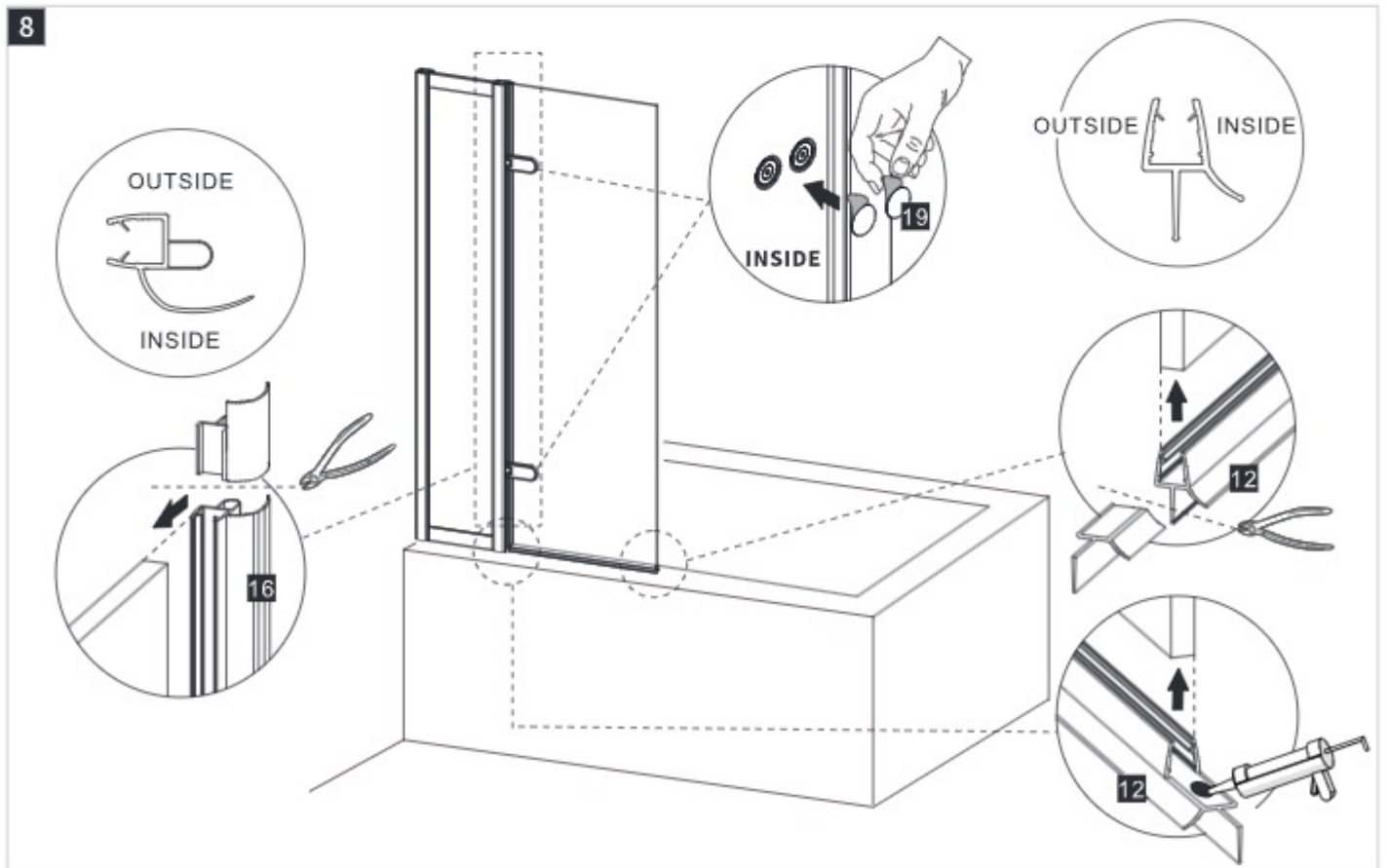
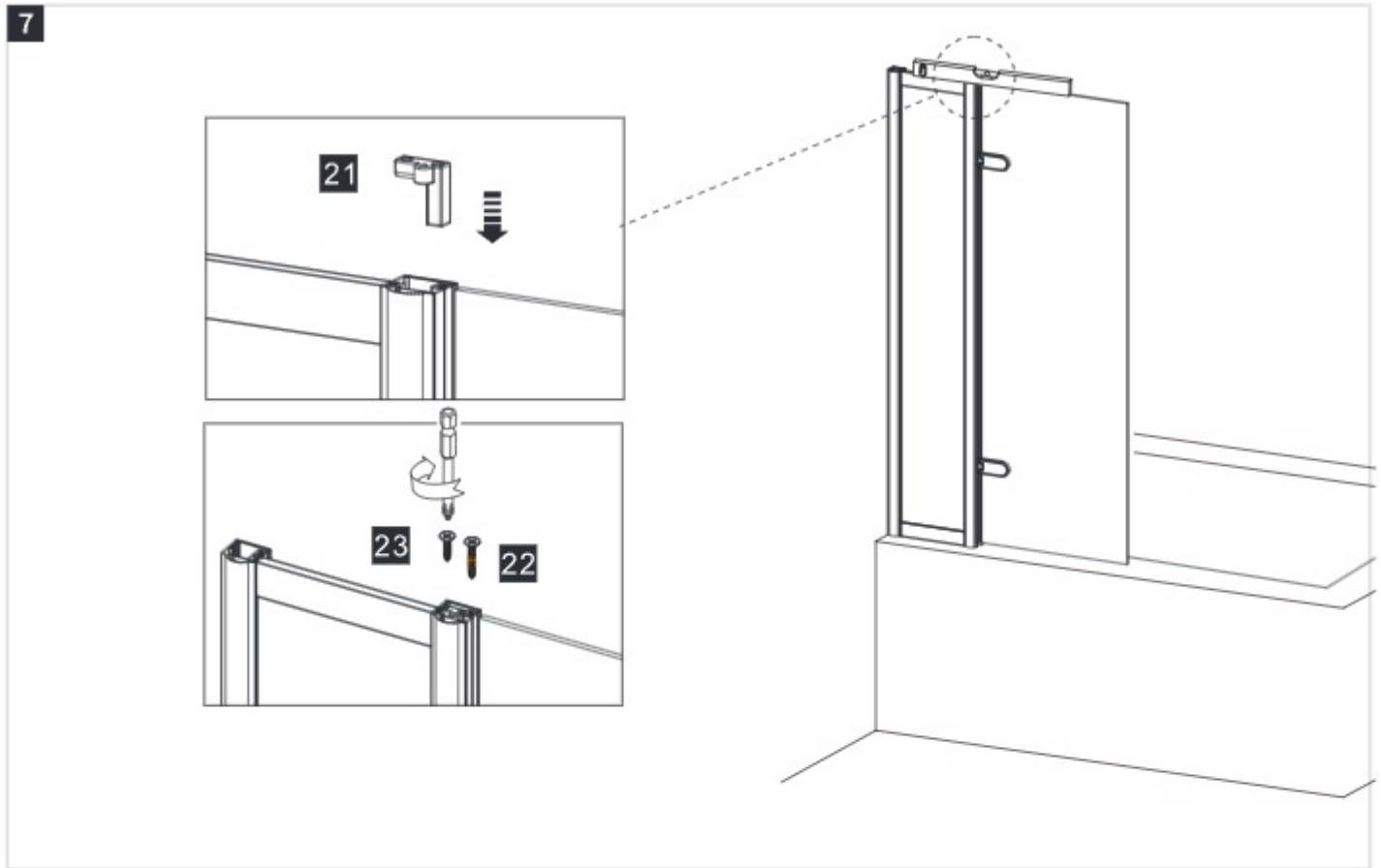
## INSTALLATION



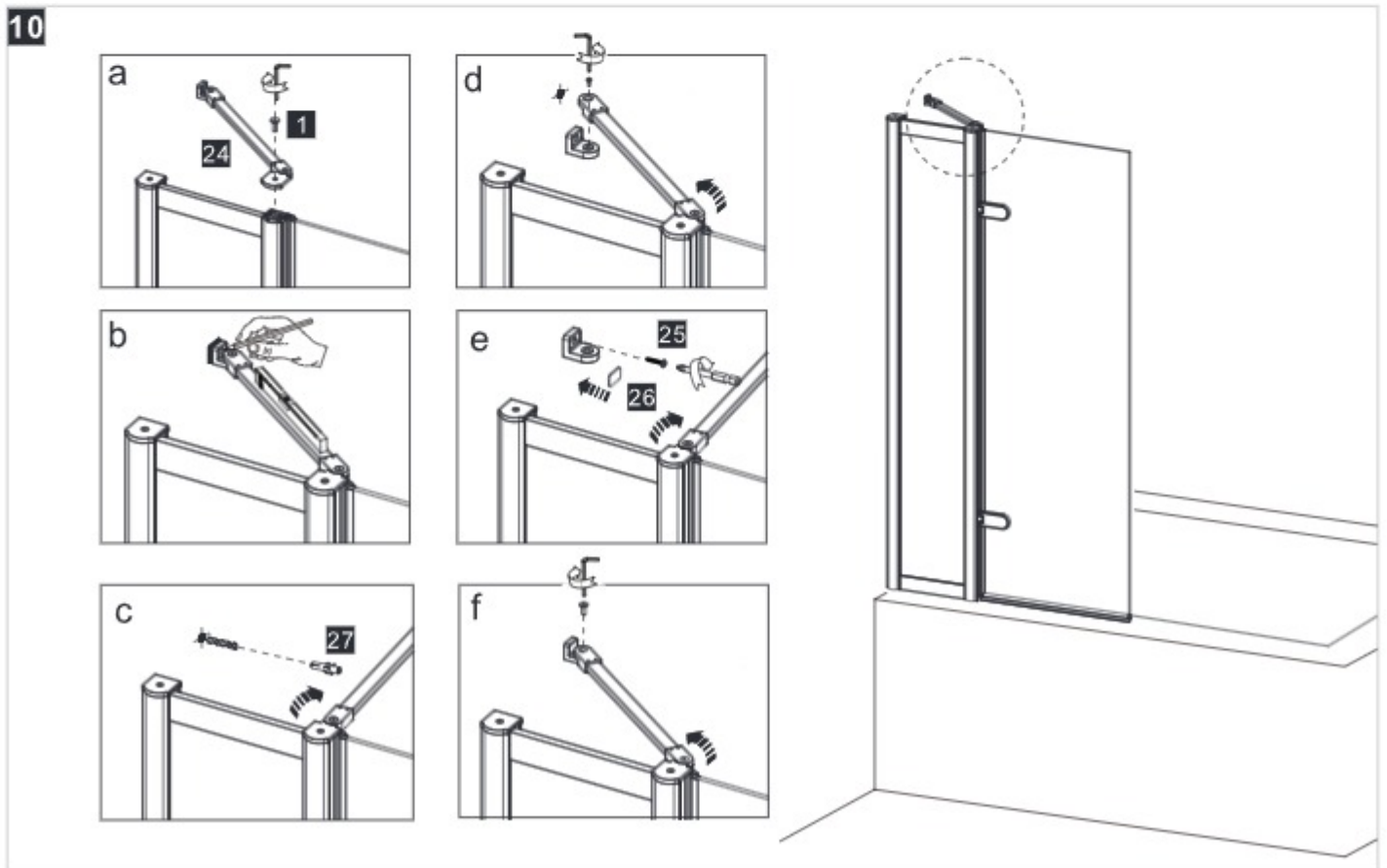
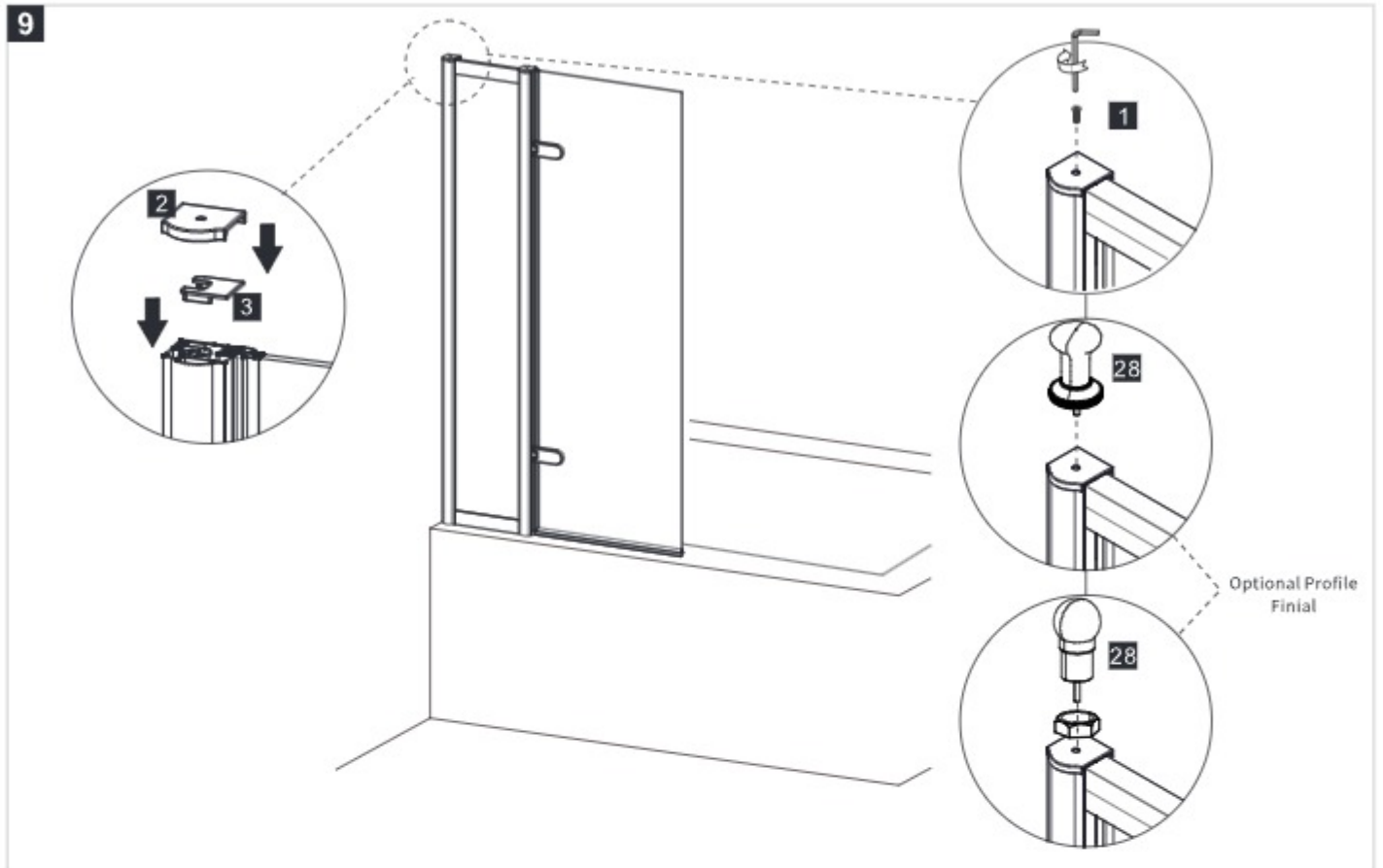
INSTALLATION



INSTALLATION

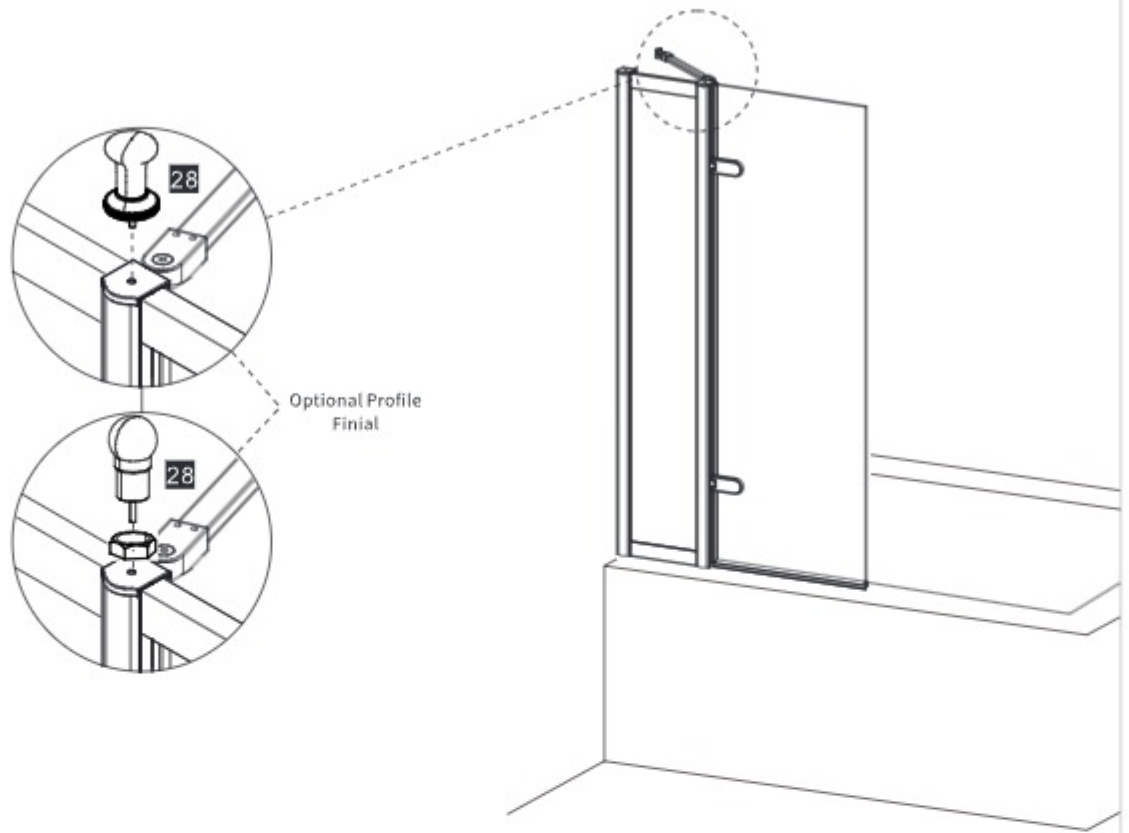


## INSTALLATION

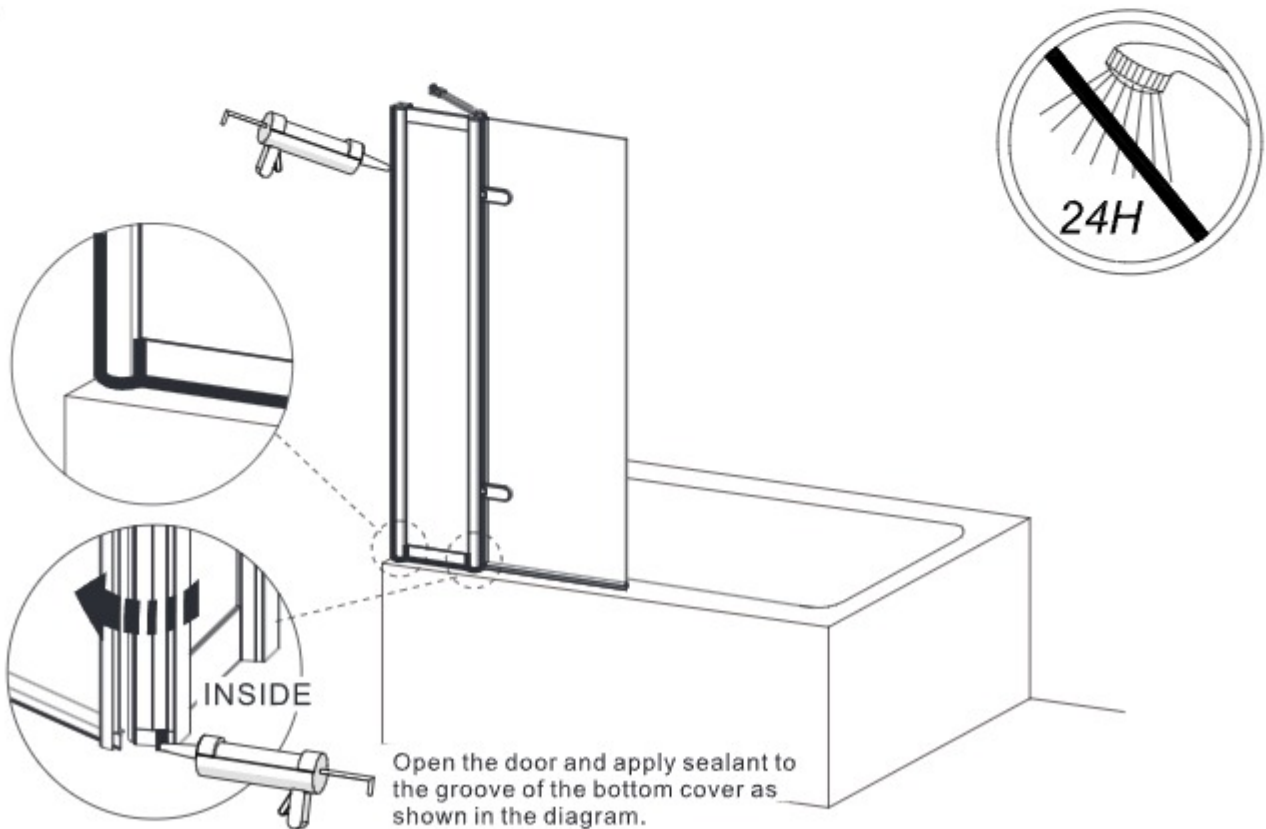


## INSTALLATION

11



12



*Burlington*<sup>®</sup>

*Burlington*<sup>®</sup>

Part of the  
Bathroom Brands Group

We reserve the right to make technical modifications without prior notice.

*Burlington*<sup>®</sup>

Lake View House  
Rennie Drive, Dartford  
Kent DA1 5FU  
United Kingdom  
0345 873 8840  
[www.crosswater.co.uk](http://www.crosswater.co.uk)