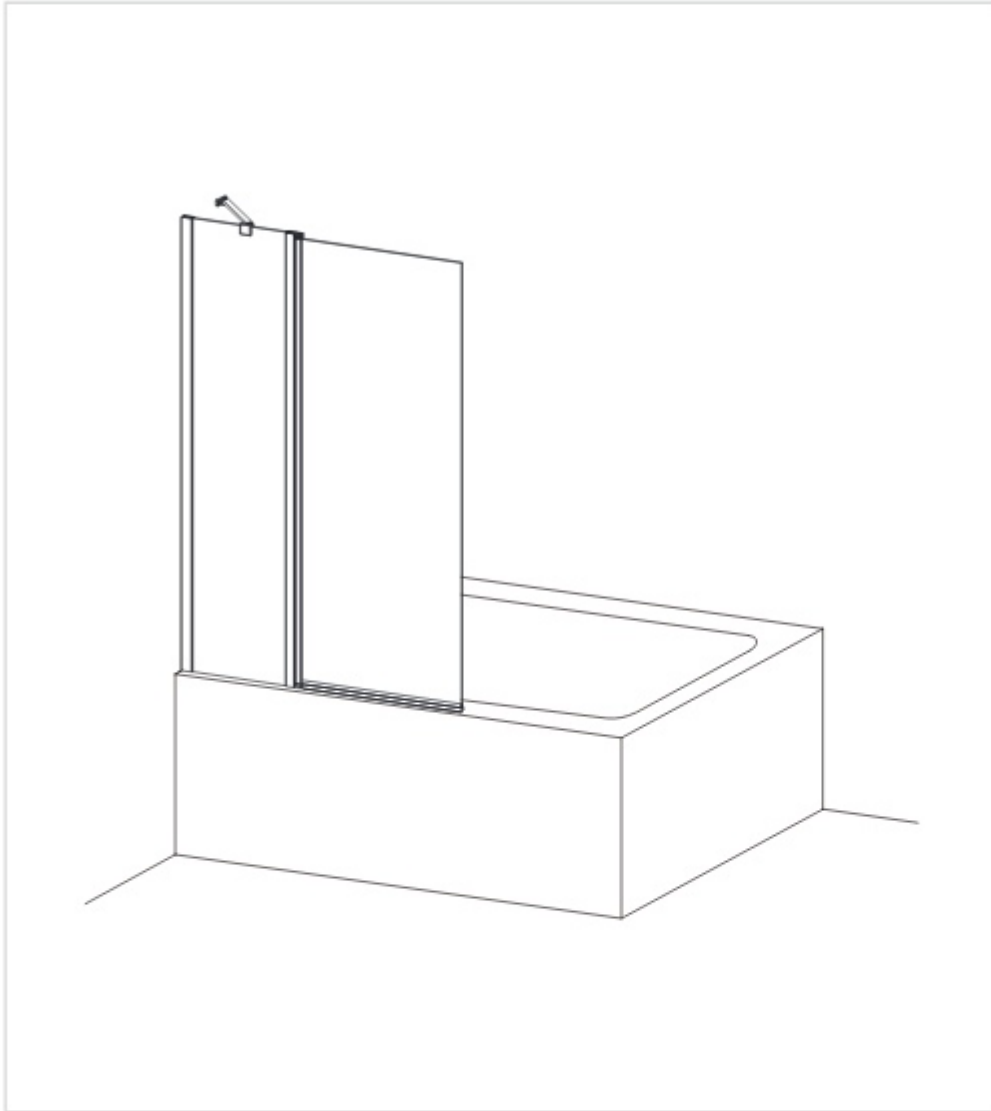


Double Bath Screen



PRODUCT CODES:

CABDSC1150_V2
CABDSB1150
CABDFB1150
CABDVB1150
CABDBZB1150
CABDTB1150
HXBDS1150
HXBDSB1150
HXBDFB1150

1. Pre-Installation Checklist

☑ Before You Begin:

- Ensure all tiling/grouting is complete.
- Bathtub **must be level and sealed** to tiles.
- Verify door dimensions match your space (see Section 3).
- Check for hidden pipes/cables before drilling.

⚠ Safety Notes:

- **Two people required** for installation (glass is heavy!).
- Wear gloves when handling glass edges.

2. Unpacking & Components

Confirm all parts are present:

- Please refer to all components included on following page titled “COMPONENTS”

Missing/Damaged Parts?

Contact Bathroom Brands immediately: ☎0345 873 8840.

3. Step-by-Step Installation

A. Frame Assembly

1) Mark Drill Points:

- Use a spirit level to mark vertical lines for wall profiles.
- Drill 6mm holes at marked points; insert wall plugs.

2) Attach Wall Profiles:

- Secure profiles with ST4x50mm screws (×4 total).
- Cover ends with profile caps if any.

B. Door Installation

3) Hang the Door:

- Following the instruction to assemble the door, ensure door is fully secured.
- Make necessary adjustment if door doesn't close smoothly.

4) Apply Seals:

- Install necessary seals provided on door and side panel if any.

C. Final Checks

5) Level & Secure:

- Confirm door is level; tighten all screws.
- Let silicone cure for 24 hours before use.

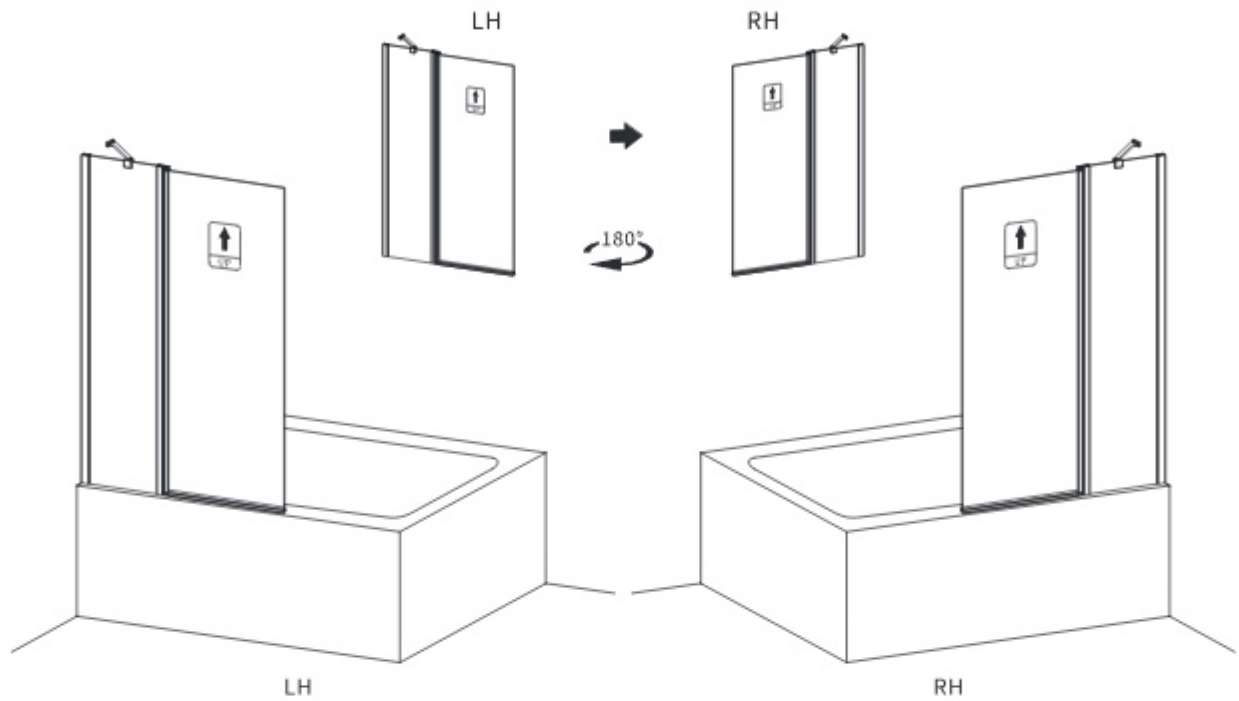
4. Care & Maintenance

- **Cleaning:** Use only **pH-neutral soapy water** (pH 6.8–7.2).
- **Avoid:** Abrasives, solvents, or acidic cleaners.

Ensure seals are flush to prevent leaks.










ORIENTATION

Flip the fixed panel upside down and the moving door inside out to achieve LH and RH reversal.

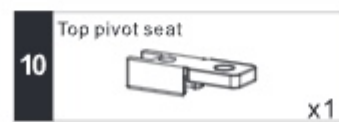
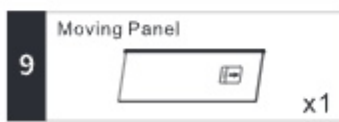
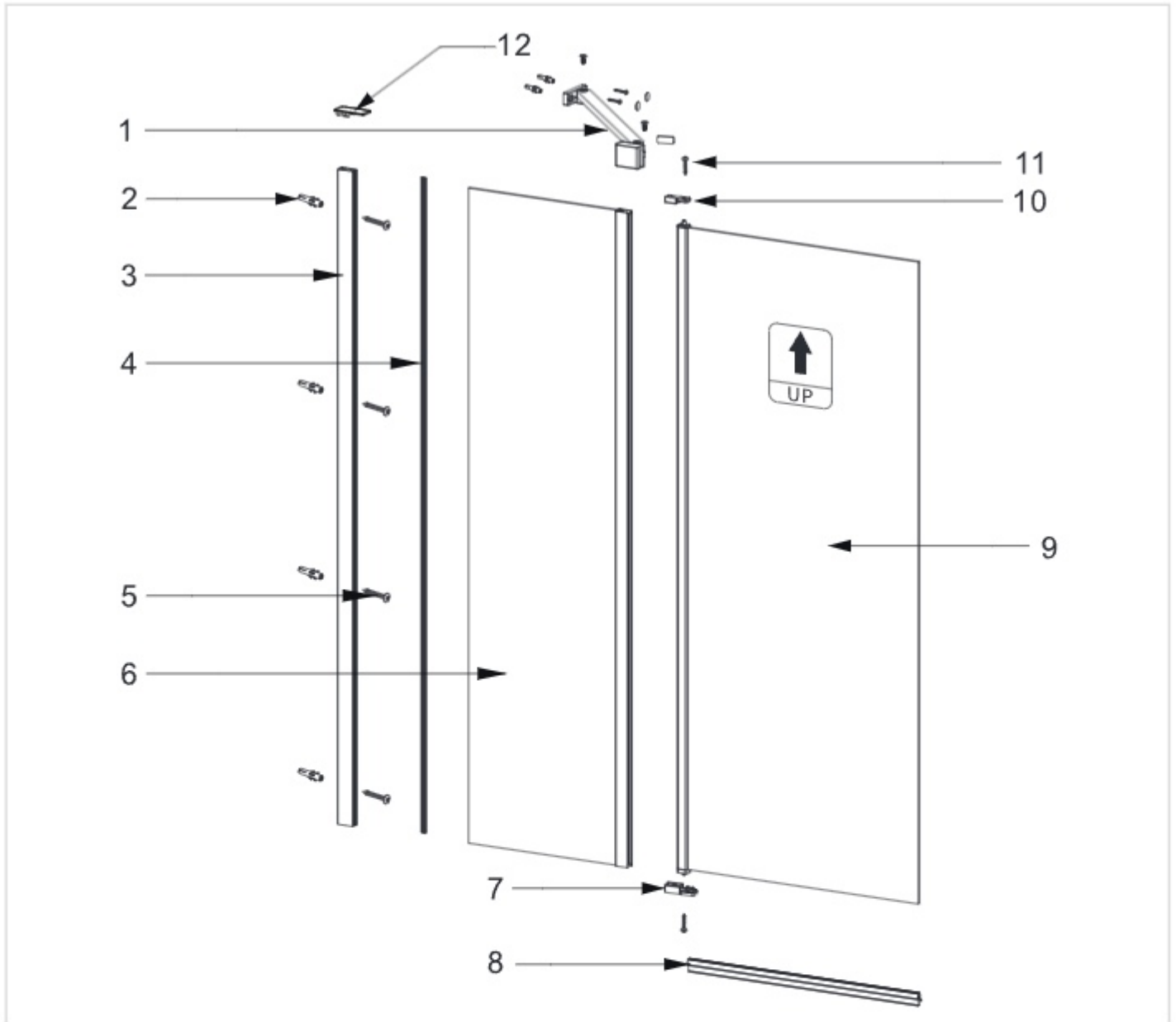


This product is reversible for left or right hand opening.
Please follow the diagram, and detail below for your choice of installation.

Tools Required (not supplied):

Spirit Level		Torque Screw Driver	
Pencil		Snips	
Drill		6mm Drill Bit	
Silicone		Measuring Tape	
Knife			

COMPONENTS

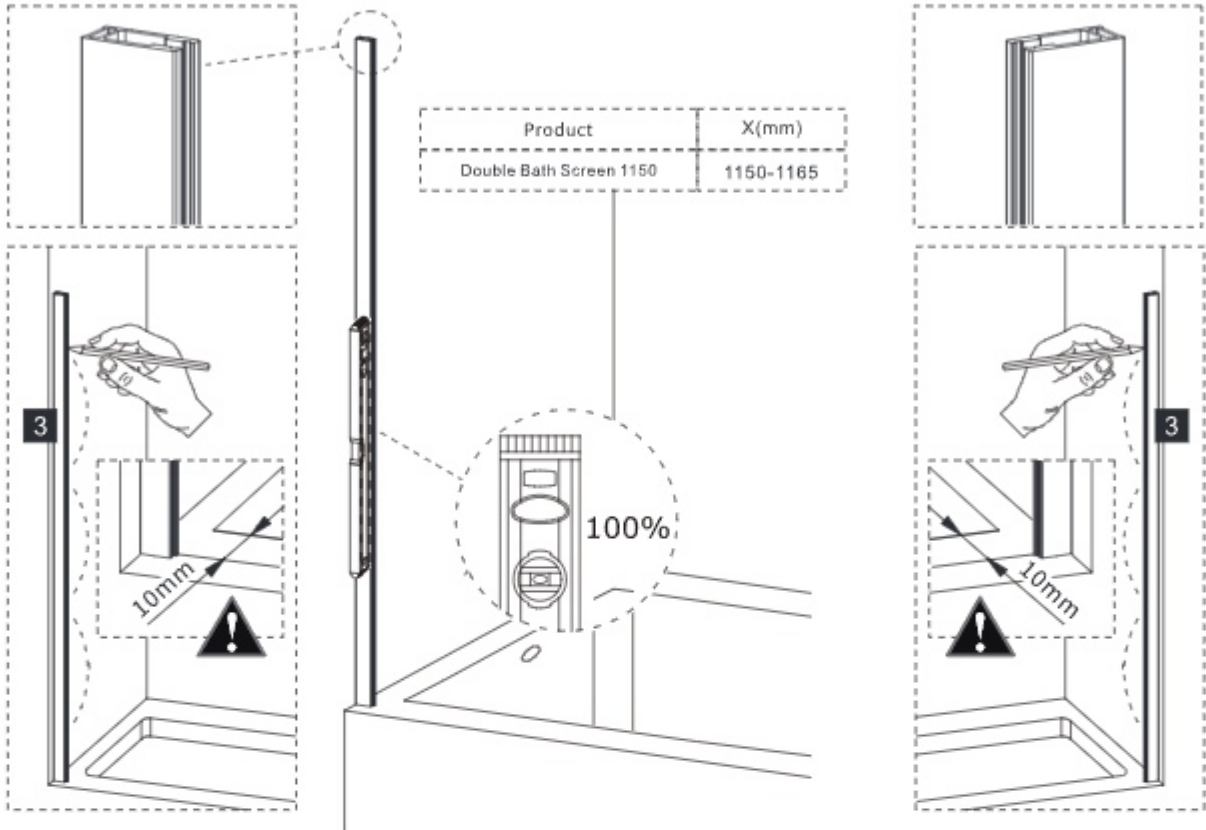


INSTALLATION

1

LH

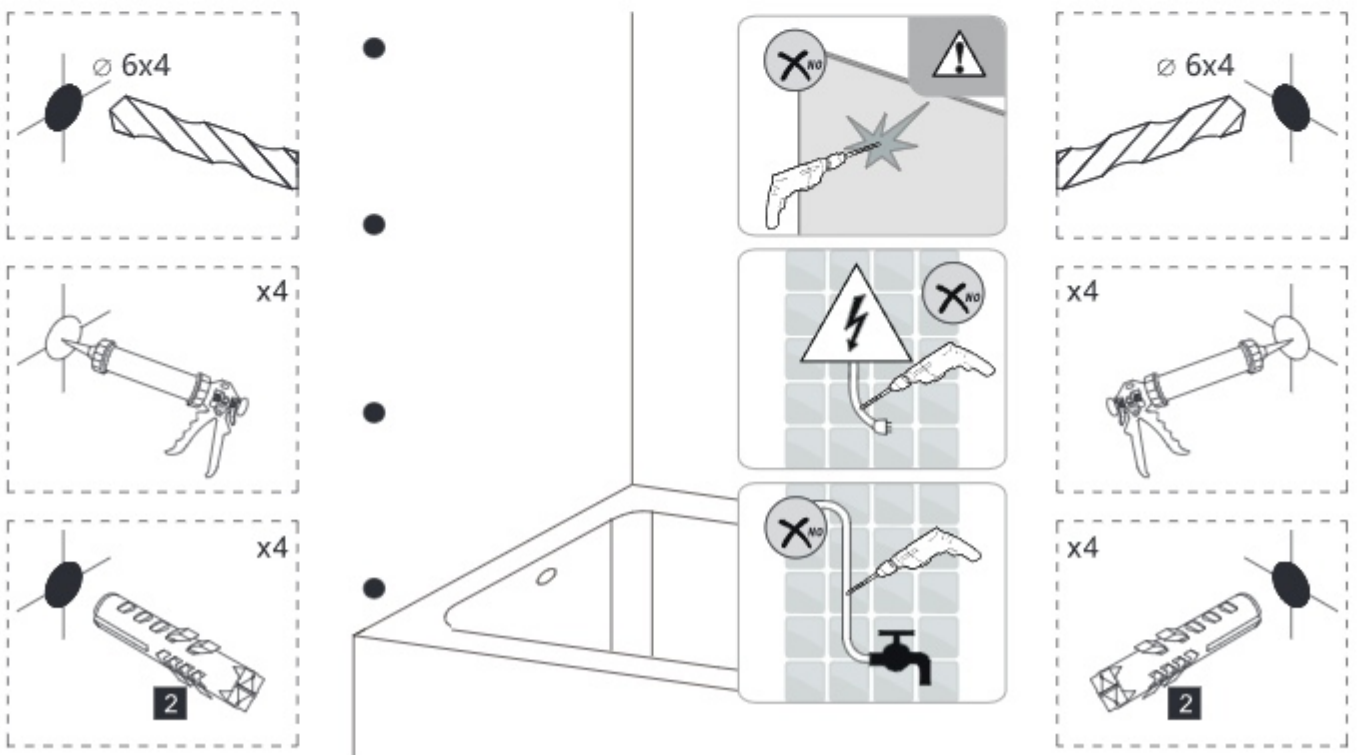
RH



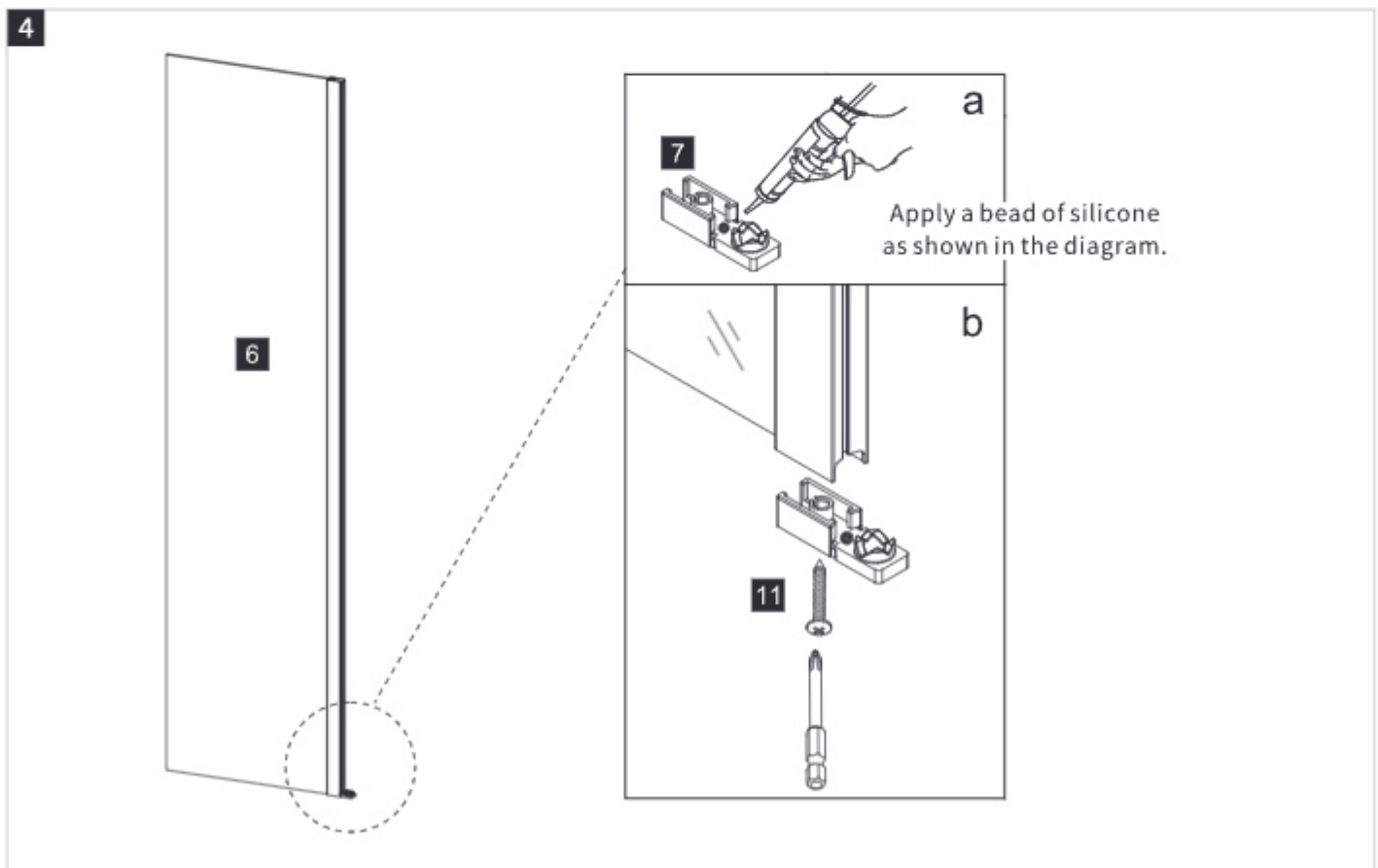
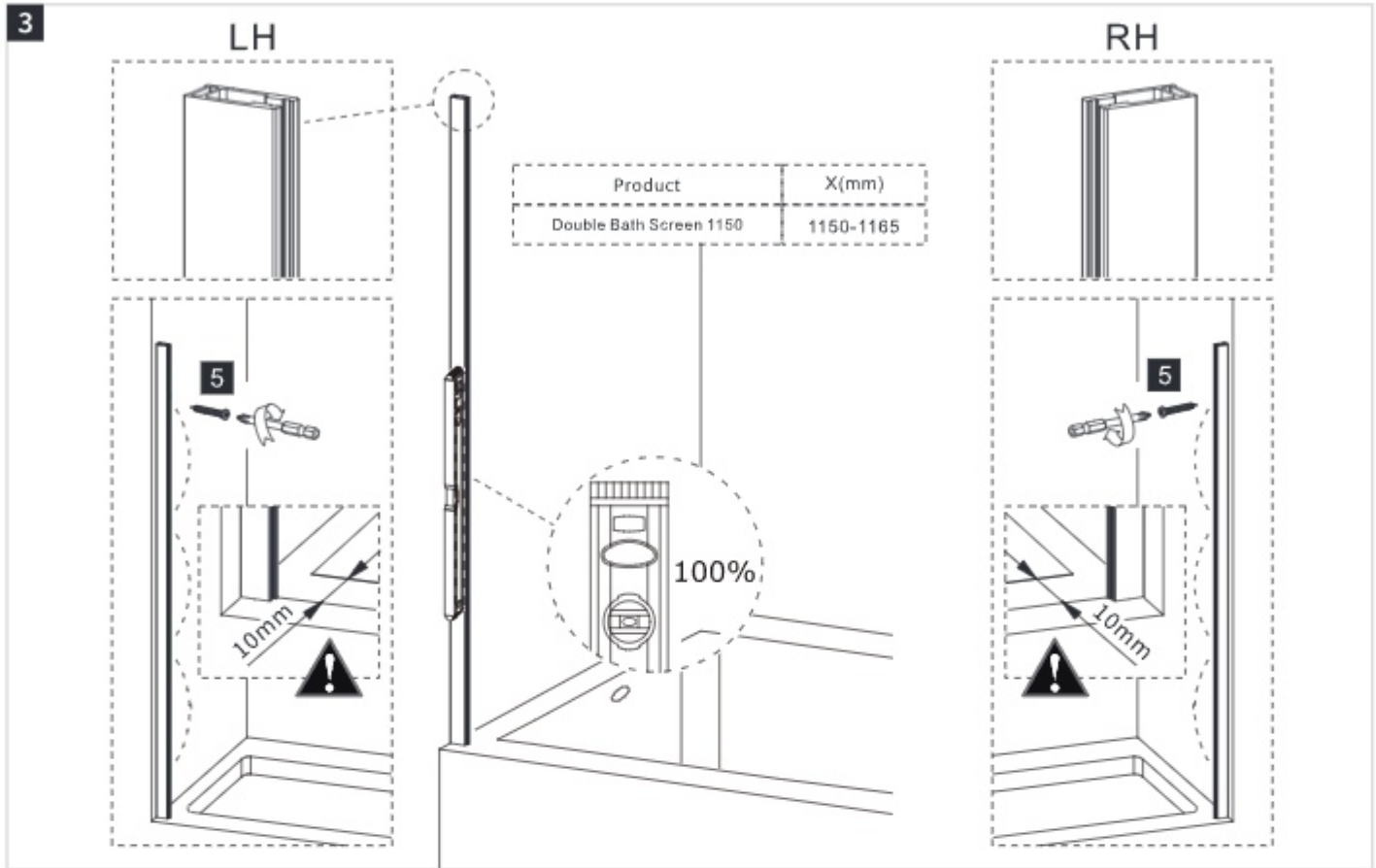
2

LH

RH

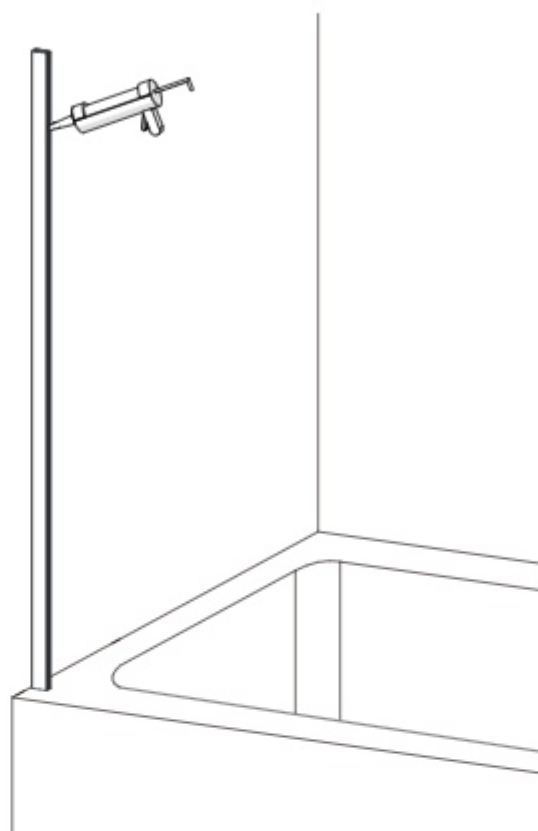
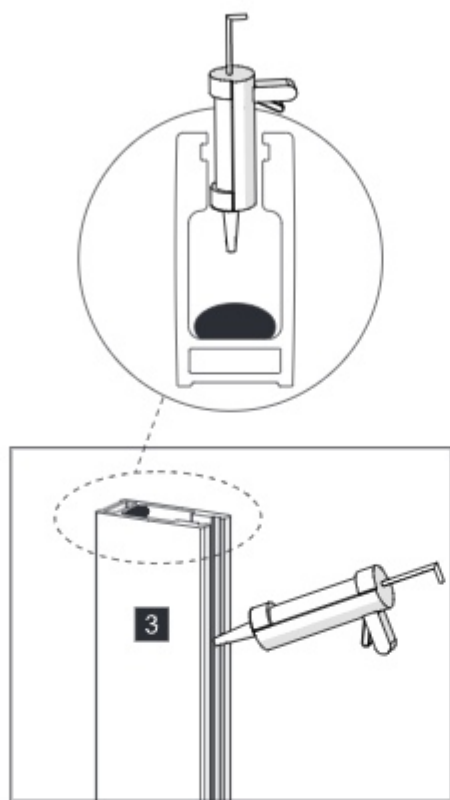


INSTALLATION

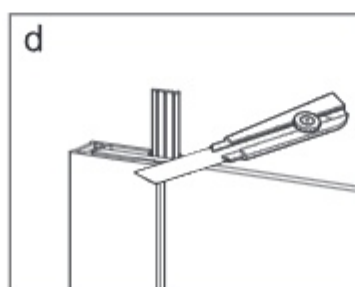
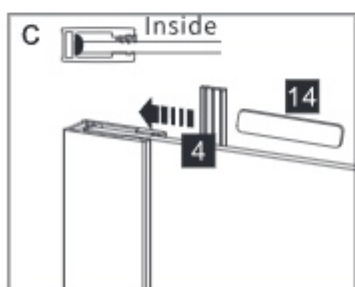
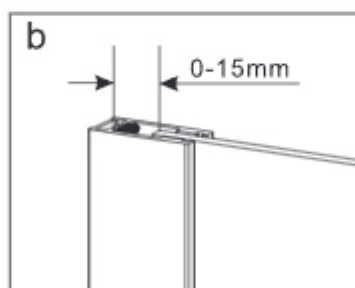
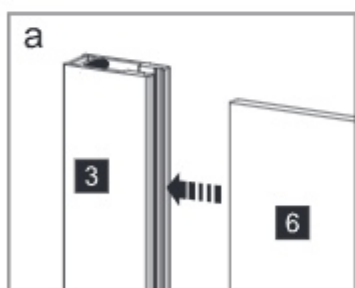


INSTALLATION

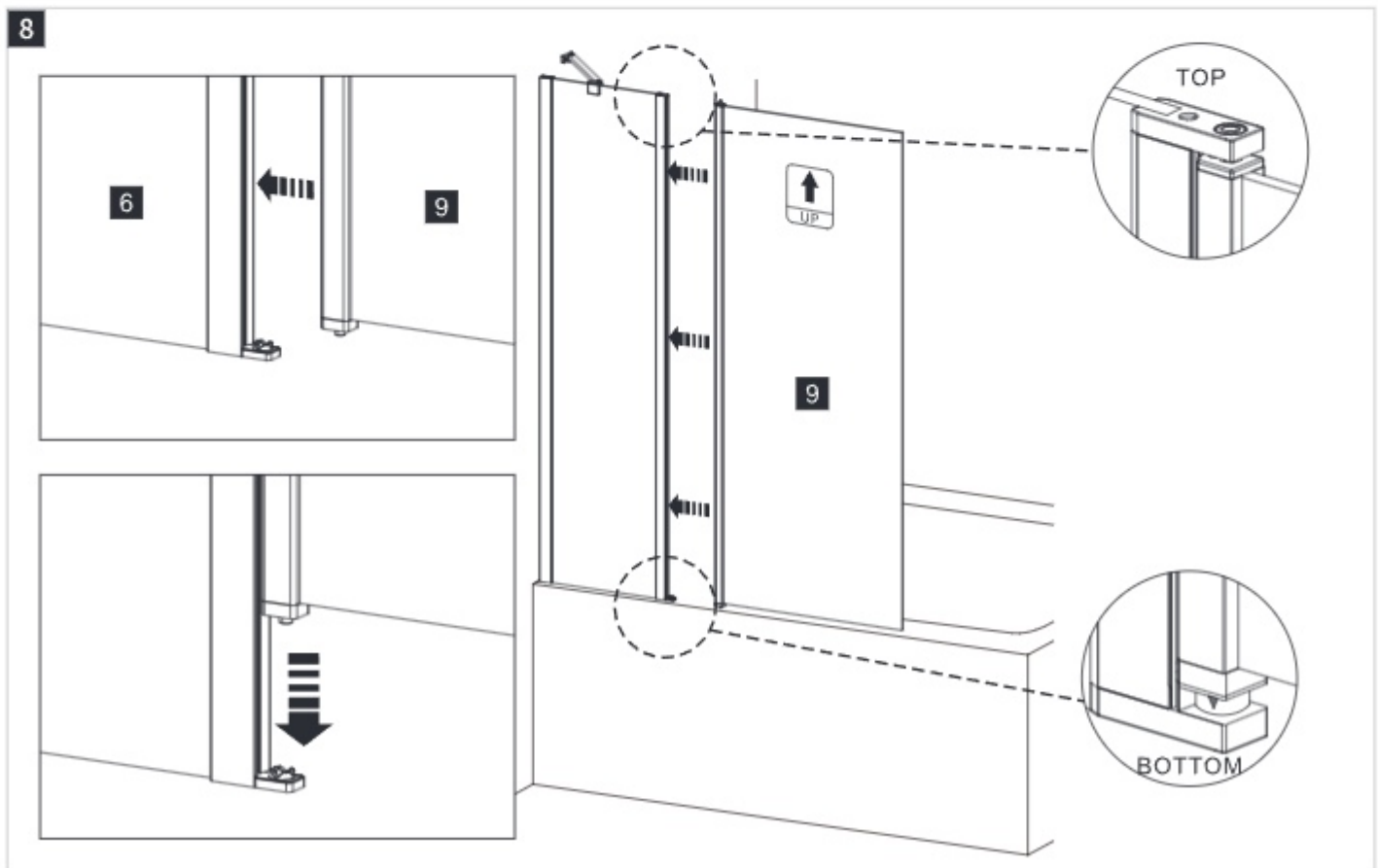
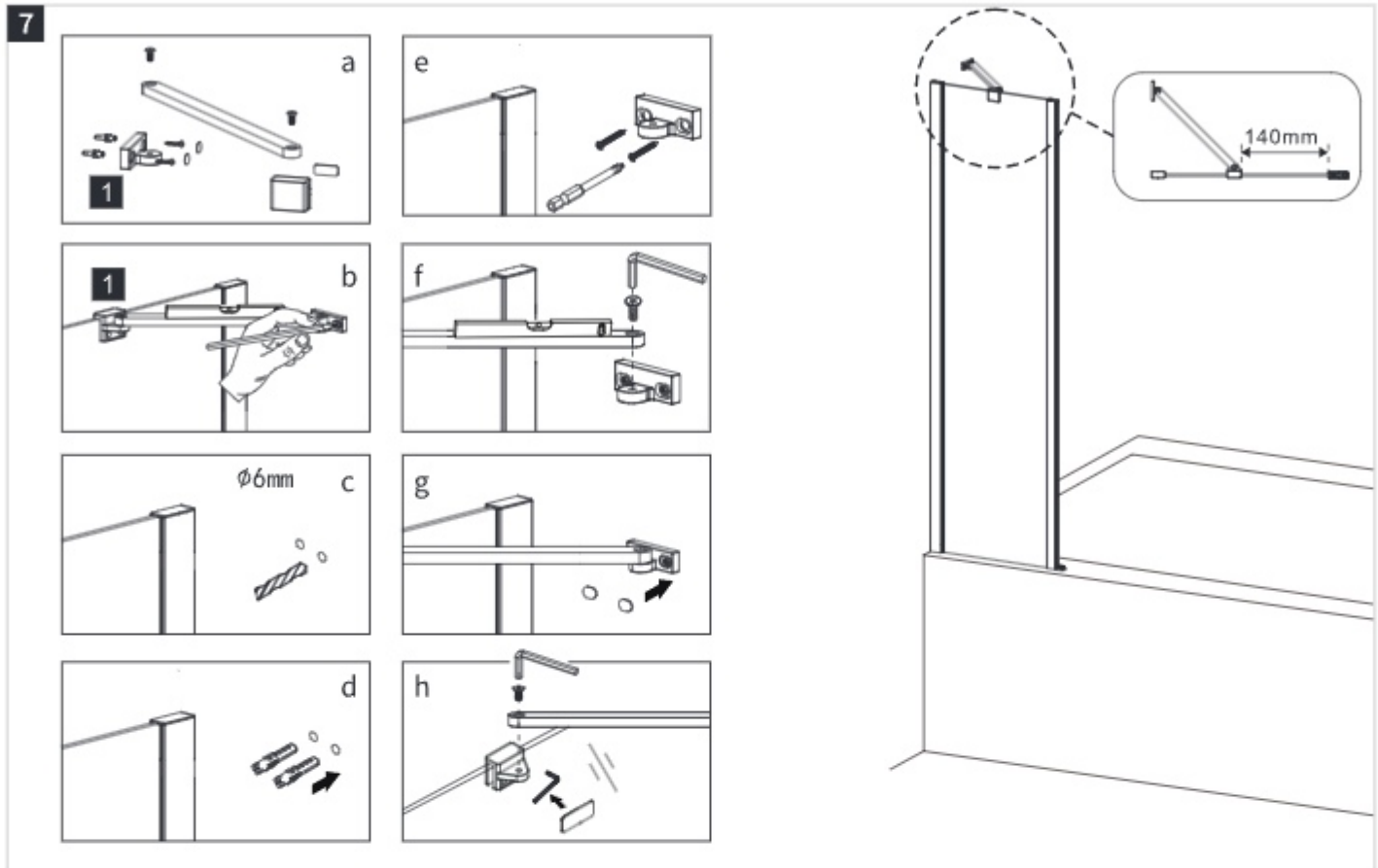
5



6

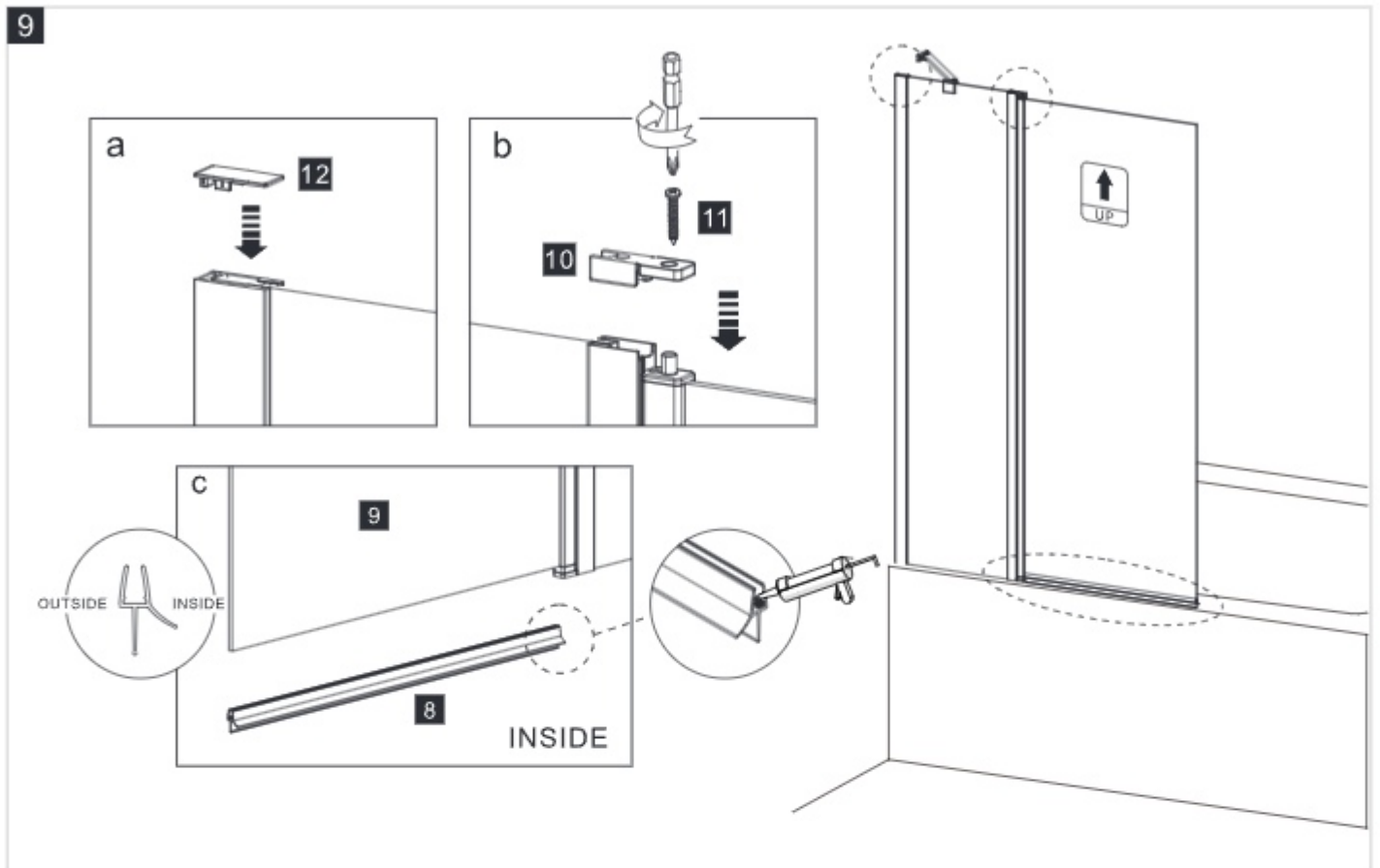


INSTALLATION



INSTALLATION

9



10

