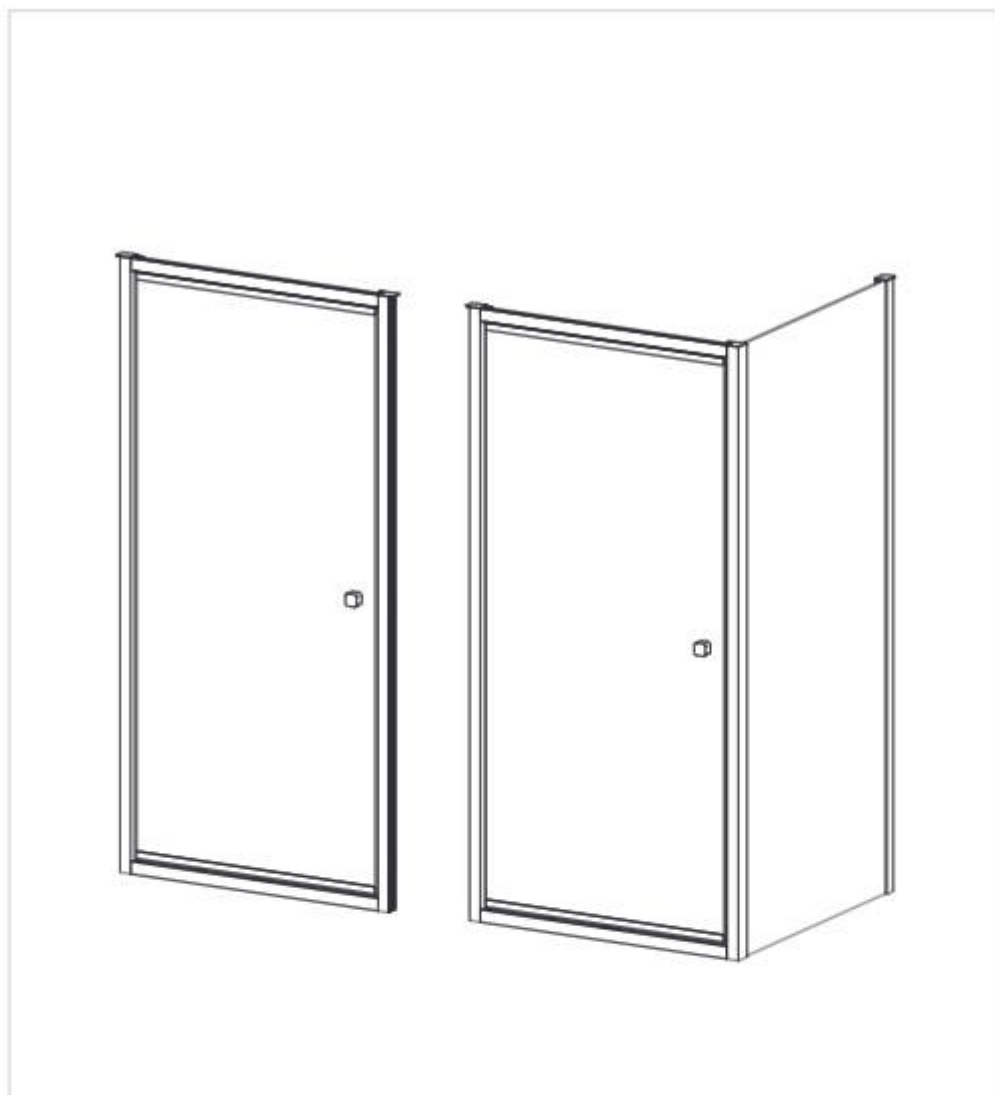


# Infold Door & Side Panel



## PRODUCT CODES:

CAIDSC0700_V2	CASPSC0700_V2
CAIDSC0760_V2	CASPSC0760_V2
CAIDSC0800_V2	CASPSC0800_V2
CAIDSC0900_V2	CASPSC0900_V2
CAIDSC1000_V2	CASPSC0900_V2
CAIDBC0700	CASPBC0700_V2
CAIDBC0760_V2	CASPBC0760_V2
CAIDBC0800_V2	CASPBC0800_V2
CAIDBC0900_V2	CASPBC0900_V2
CAIDBC1000_V2	CASFBC0700
CAIDFC0700	CASFBC0760_V2
CAIDFC0760_V2	CASFBC0800_V2
CAIDFC0800_V2	CASFBC0900_V2
CAIDFC0900_V2	CASPVC0700
CAIDFC1000_V2	CASPVC0760
CAIDVC0700	CASPVC0800
CAIDVC0760	CASPVC0900
CAIDVC0800	CASPVC0900
CAIDVC0900	CASPBZC0700
CAIDVC1000	CASPBZC0760
CAIDBZC0700	CASPBZC0800
CAIDBZC0760	CASPBZC0900
CAIDBZC0800	CASPTC0700
CAIDBZC0900	CASPTC0760
CAIDBZC1000	CASPTC0800
CAIDTC0700	CASPTC0900
CAIDTC0760	HXSPSC0700
CAIDTC0800	HXSPSC0760
CAIDTC0900	HXSPSC0800
CAIDTC1000	HXSPSC0900
HXIDSC0700	HXSPBC0700
HXIDSC0760	HXSPBC0760
HXIDSC0800	HXSPBC0800
HXIDSC0900	HXSPBC0900
HXIDSC1000	HXSFBC0700
HXIDBC0700	HXSFBC0760
HXIDBC0760	HXSFBC0800
HXIDBC0800	HXSFBC0900
HXIDBC0900	
HXIDBC1000	
HXIDFC0700	
HXIDFC0760	
HXIDFC0800	
HXIDFC0900	
HXIDFC1000	

## 1. Pre-Installation Checklist

### ☑ Before You Begin:

- Ensure all tiling/grouting is complete.
- Shower tray **must be level and sealed** to tiles.
- Verify door dimensions match your space (see Section 3).
- Check for hidden pipes/cables before drilling.

### ⚠ Safety Notes:

- **Two people required** for installation (glass is heavy!).
- Wear gloves when handling glass edges.

## 2. Unpacking & Components

### Confirm all parts are present:

- Please refer to all components included on following page titled “COMPONENTS”

### Missing/Damaged Parts?

Contact Bathroom Brands immediately: ☎0345 873 8840.

## 3. Step-by-Step Installation

### A. Frame Assembly

#### 1) Mark Drill Points:

- Use a spirit level to mark vertical lines for wall profiles.
- Drill 6mm holes at marked points; insert wall plugs.

#### 2) Attach Wall Profiles:

- Secure profiles with ST4x50mm screws (x8 total).
- Cover ends with profile caps if any.

### B. Door Installation

#### 3) Hang the Door:

- Following the instruction to assemble the door, ensure door is fully secured.
- Make necessary adjustment if door doesn't close smoothly.

#### 4) Apply Seals:

- Install necessary seals provided on door and side panel if any.

### C. Final Checks

#### 5) Level & Secure:

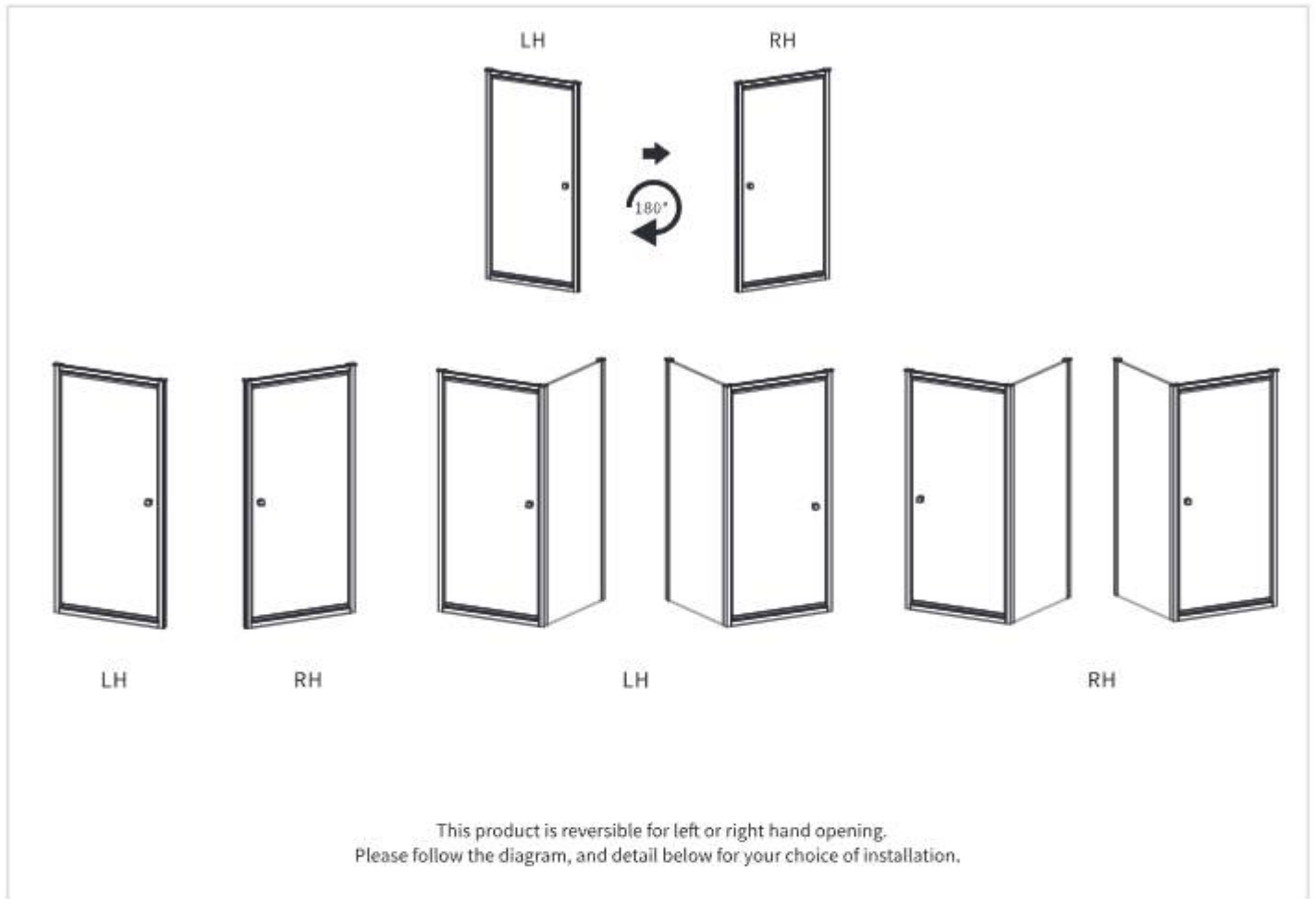
- Confirm door is level; tighten all screws.
- Let silicone cure for 24 hours before use.

## 4. Care & Maintenance










- **Cleaning:** Use only **pH-neutral soapy water** (pH 6.8–7.2).
- **Avoid:** Abrasives, solvents, or acidic cleaners.

Ensure seals are flush to prevent leaks.

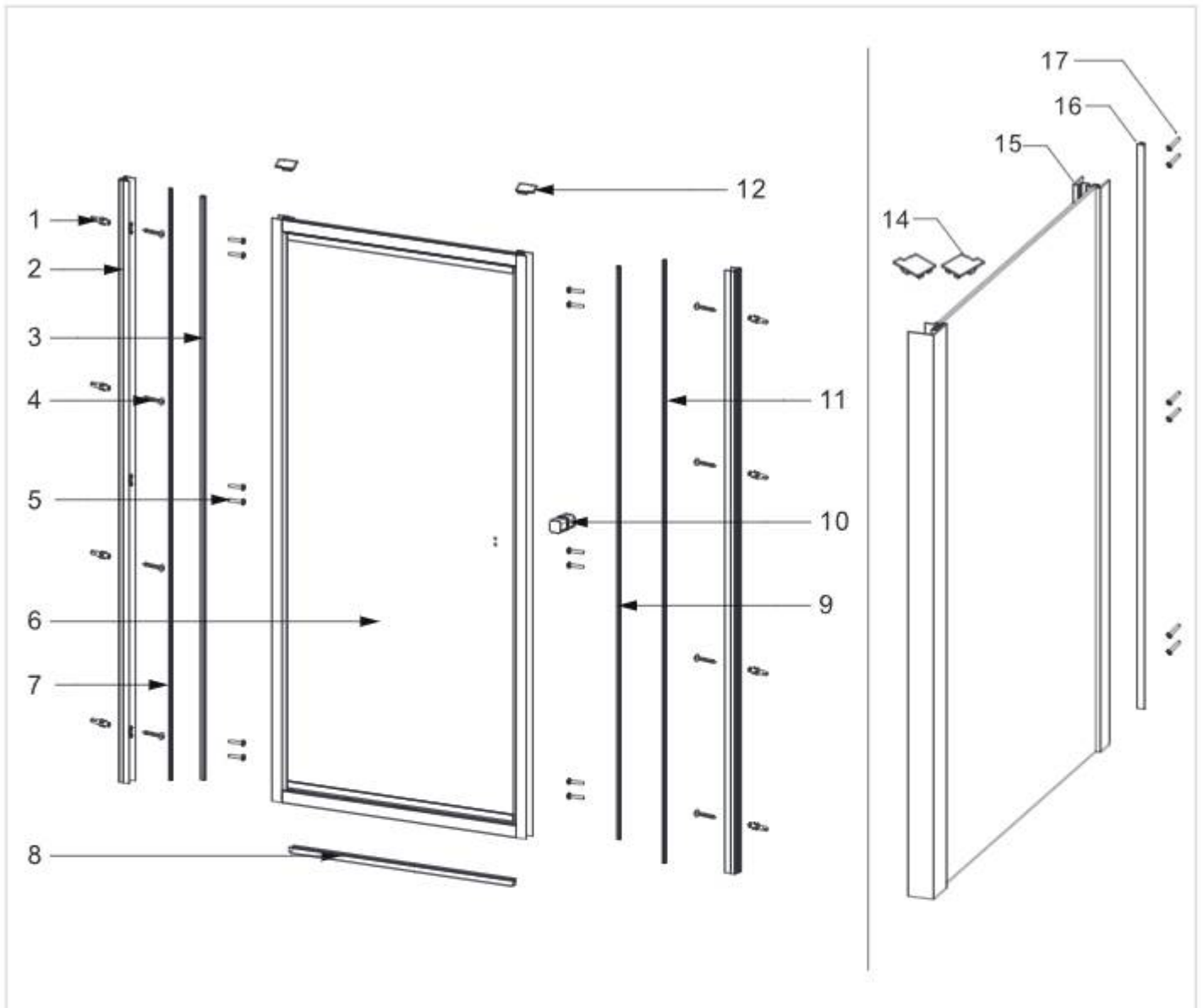
## ORIENTATION






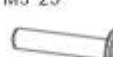
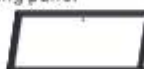











### Tools Required (not supplied):

Spirit Level		Torque Screw Driver	
Pencil		Snips	
Drill		6mm Drill Bit	
Silicone		Measuring Tape	
Knife			

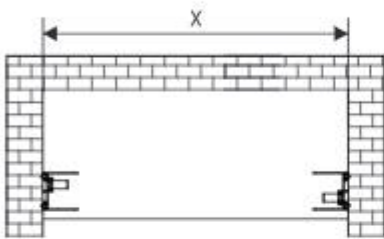
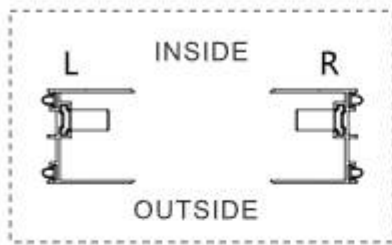
# COMPONENTS



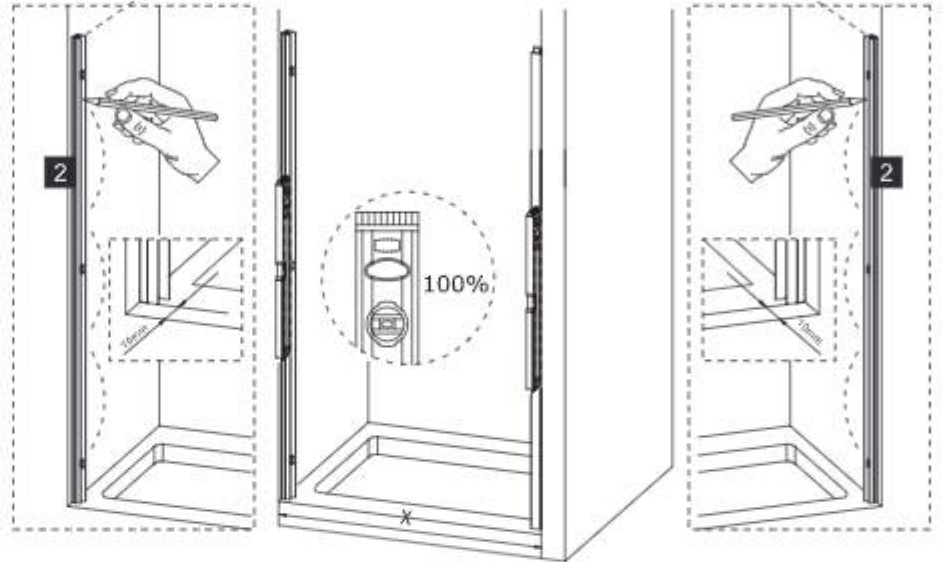
<b>1</b> Wall Plug  x8	<b>2</b> Wall Profile  x2	<b>3</b> Moving panel seal  x1	<b>14</b> Corner profile cap  RH LH x1
<b>4</b> Screw ST4*50  x8	<b>5</b> Screw M5*25  x12	<b>6</b> Moving panel  x1	<b>15</b> Side Panel  x1
<b>7</b> Wall Profile Cover Strip 1880mm  x1	<b>8</b> Bottom seal  x1	<b>9</b> Moving panel magnetic seal  x1	<b>16</b> Wall Profile Cover Strip 1950mm  x1
<b>10</b> Handle  x1	<b>11</b> Wall Profile Cover Strip 1950mm  x1	<b>12</b> Wall Profile Cap  x2	<b>17</b> Screw M5*25  x6
<b>13</b> Allen Key  3mm 4mm			

# INSTALLATION

1

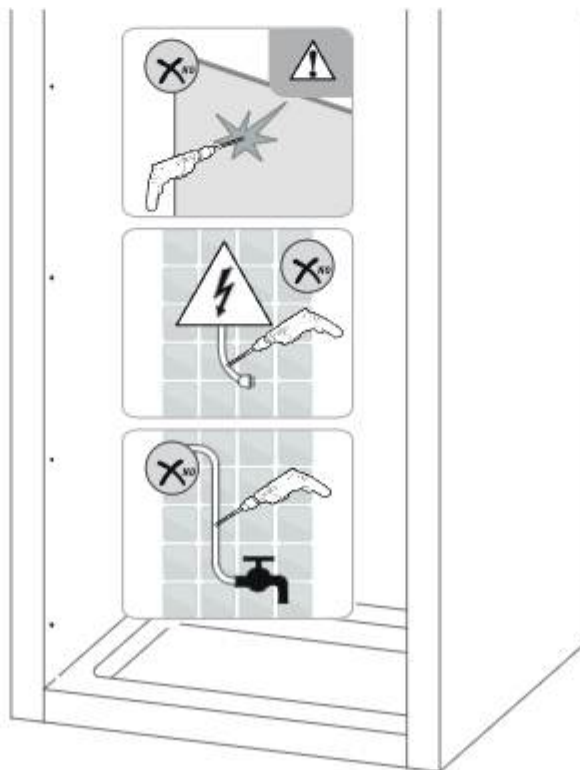
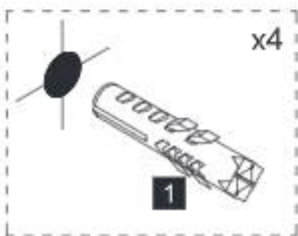
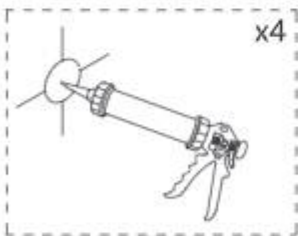
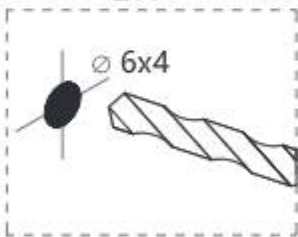


Product	X(mm)
Infold Door 700	650-680
Infold Door 760	710-740
Infold Door 800	750-780
Infold Door 900	850-880
Infold Door 1000	950-980

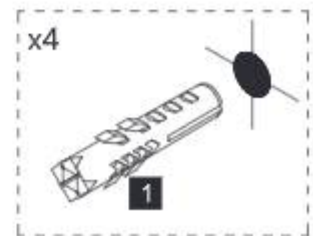
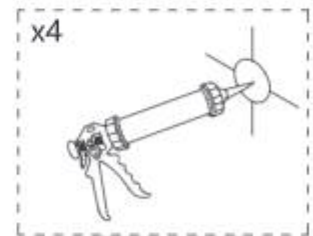
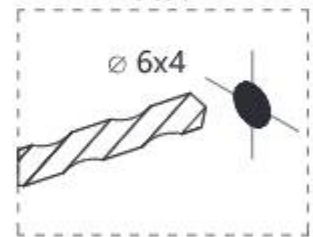


2

LH

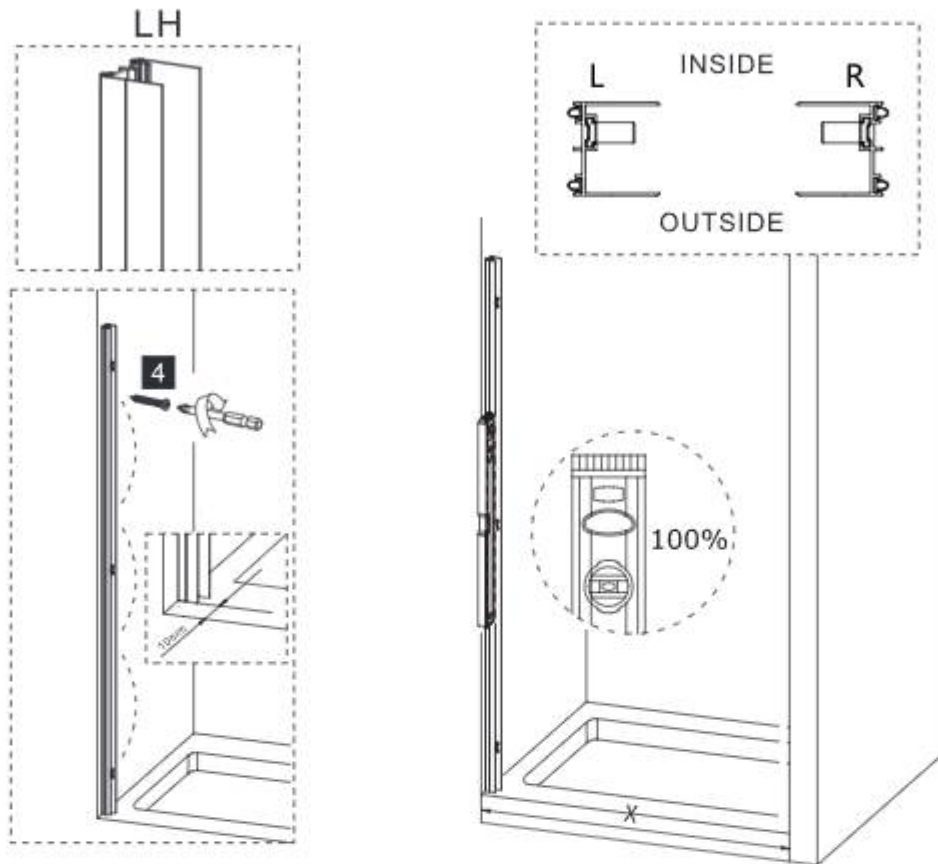


RH

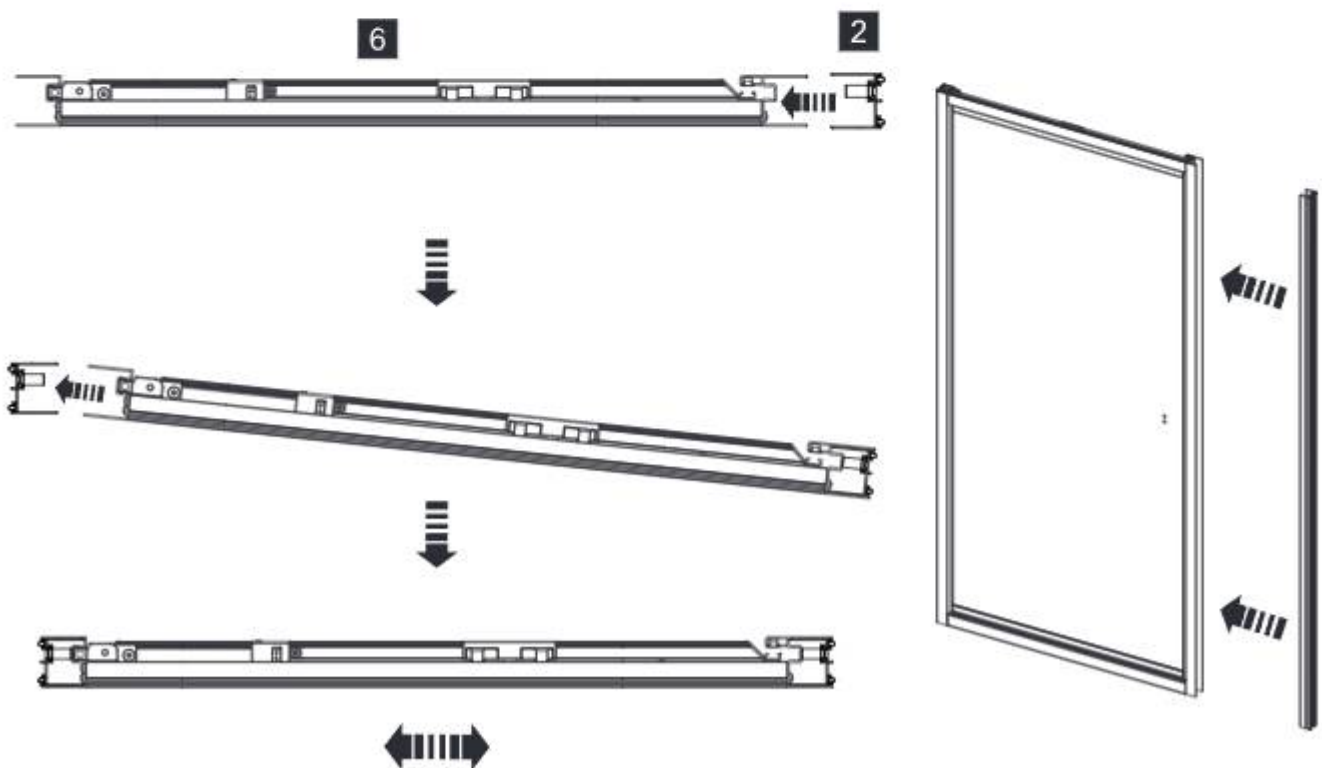


## INSTALLATION

3

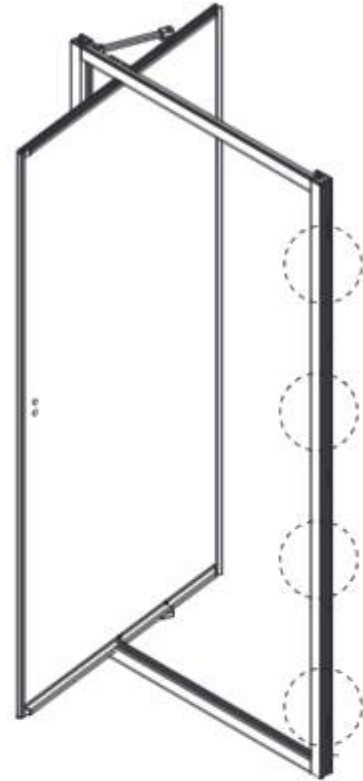
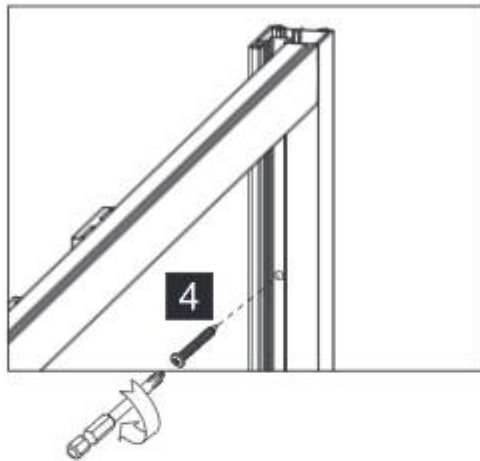


4

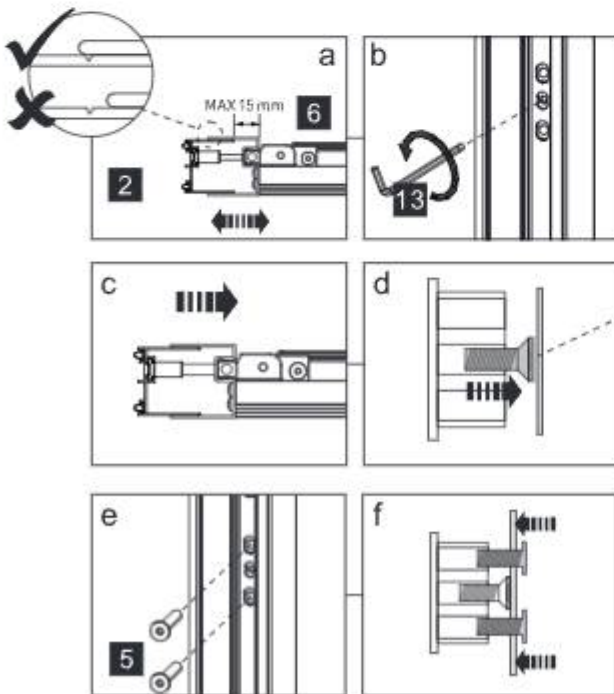


## INSTALLATION

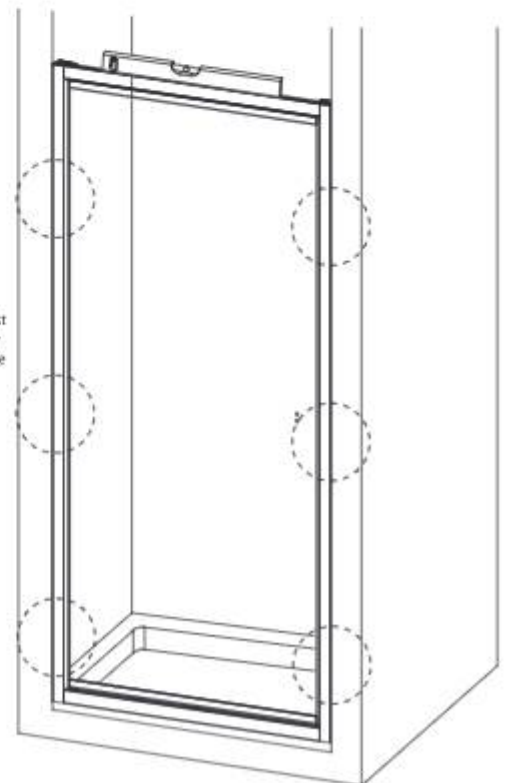
5



6

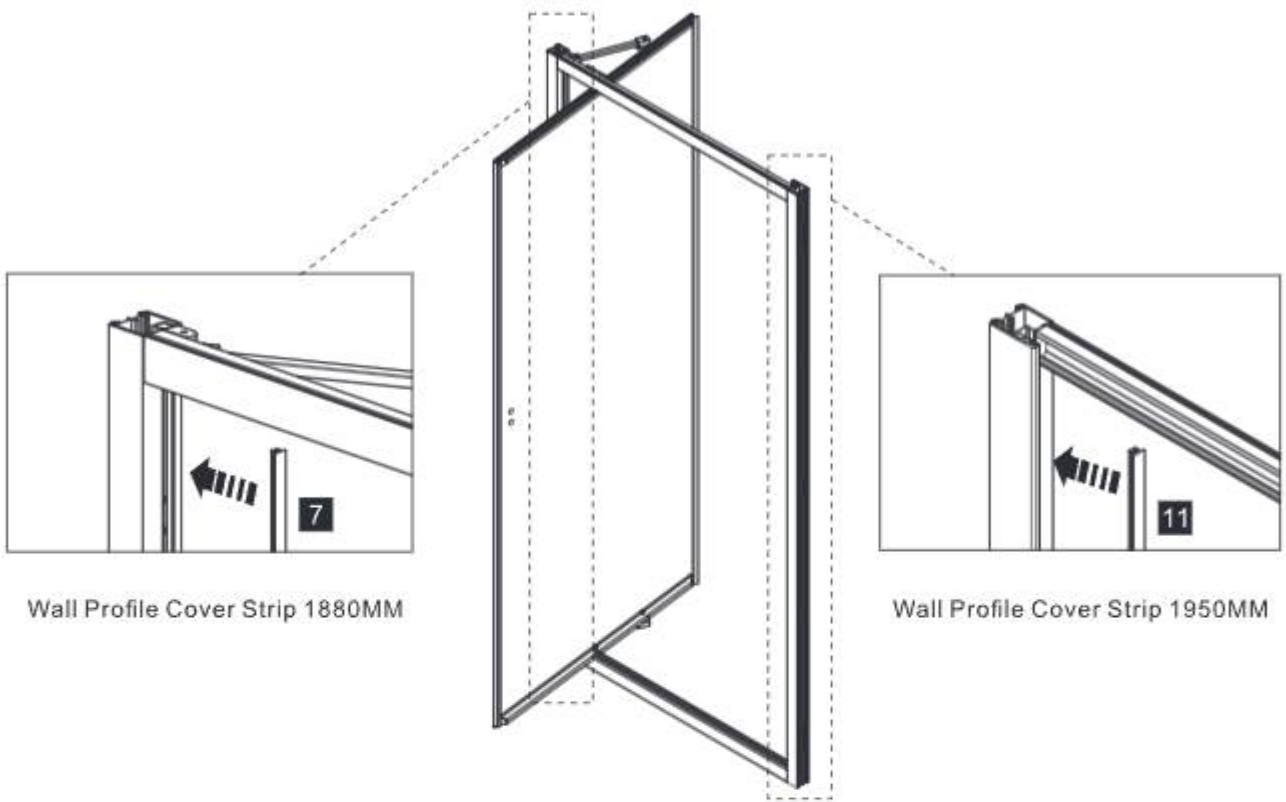


Ensure the door is level. Adjust if needed, then lock the screw till it touches and supports the door frame.



# INSTALLATION

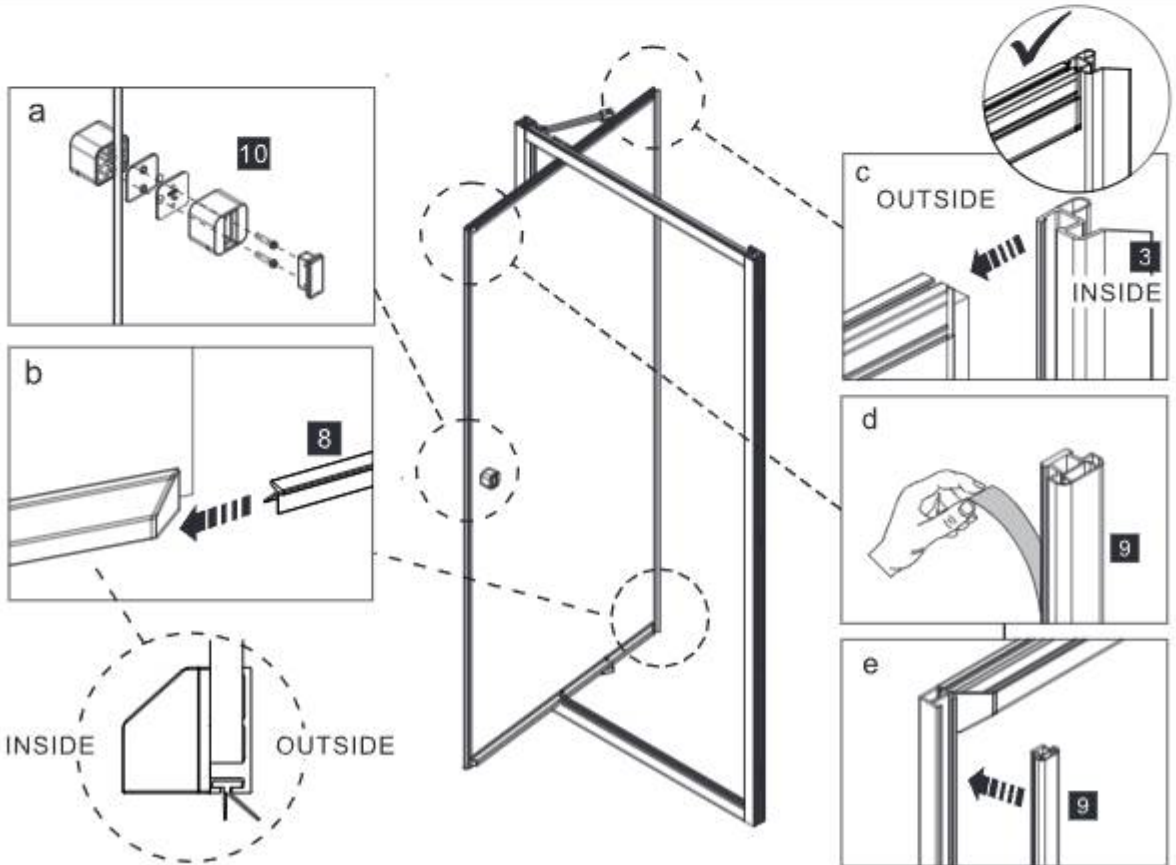
7



Wall Profile Cover Strip 1880MM

Wall Profile Cover Strip 1950MM

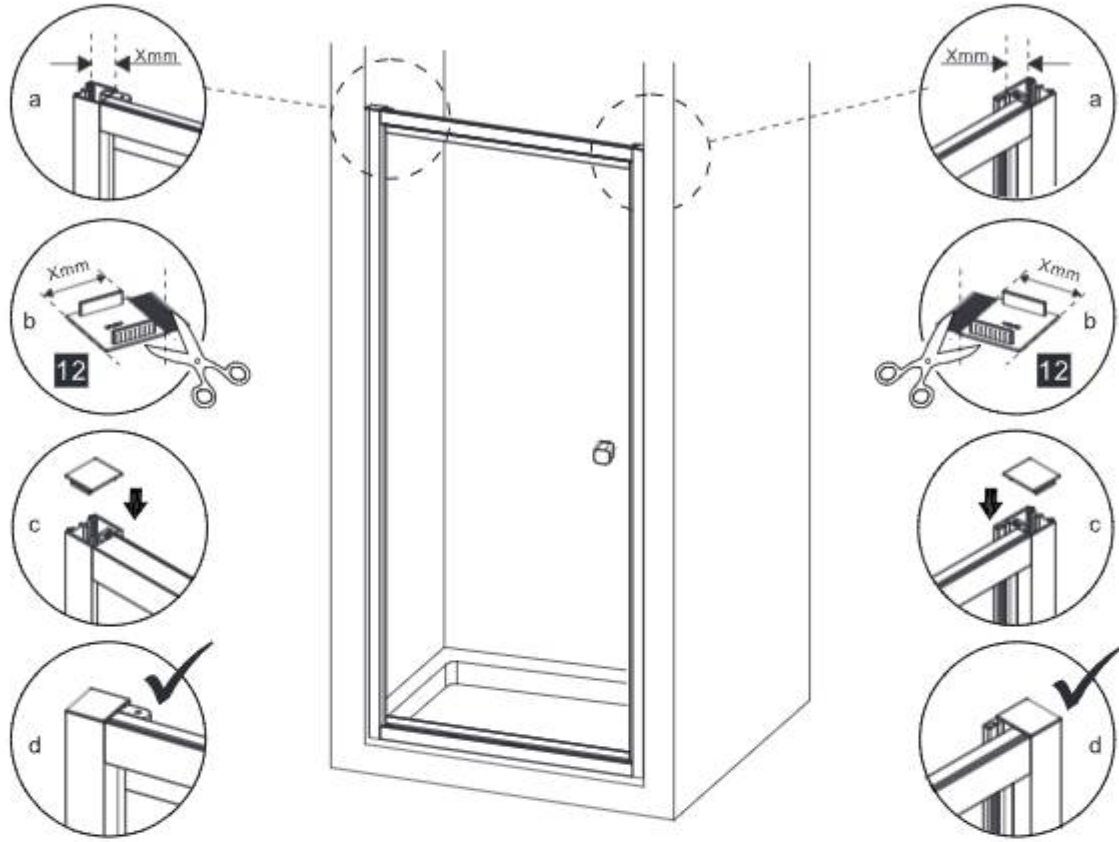
8



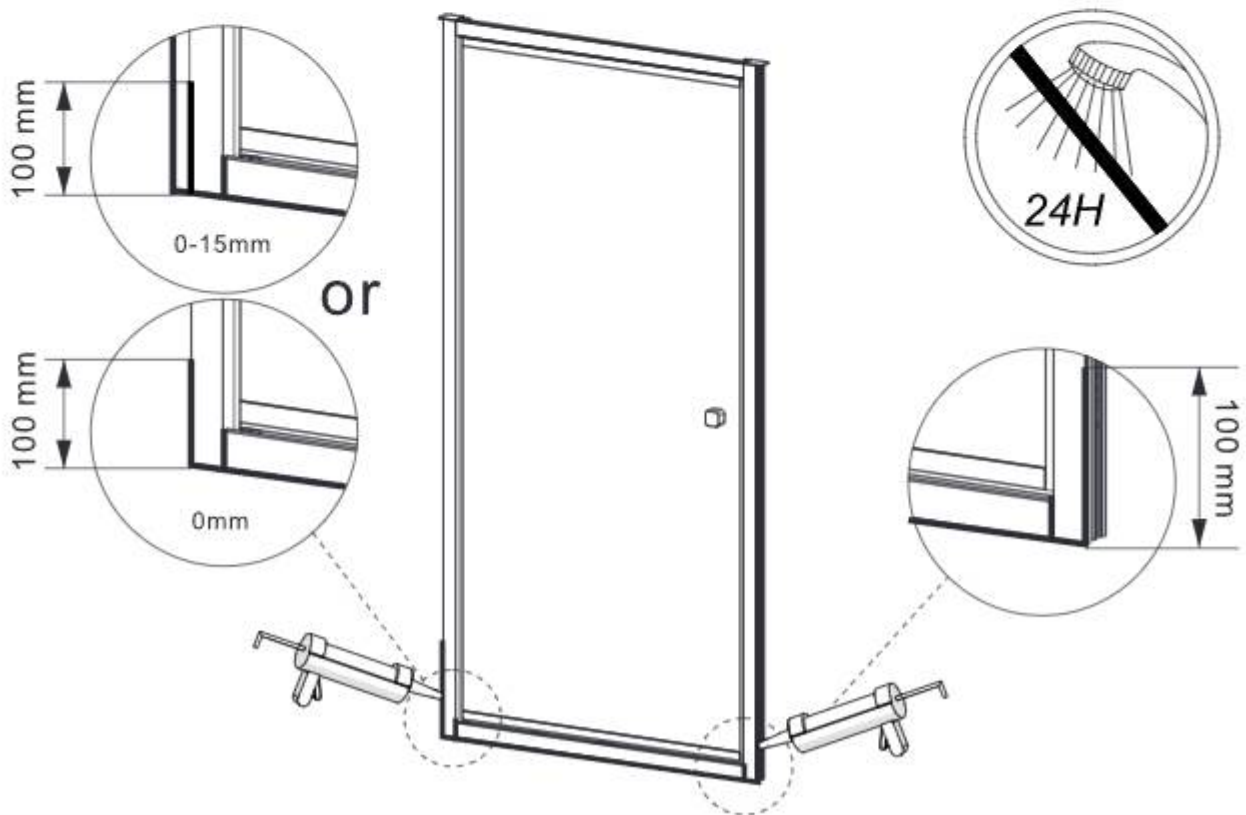
INSIDE OUTSIDE

# INSTALLATION

9



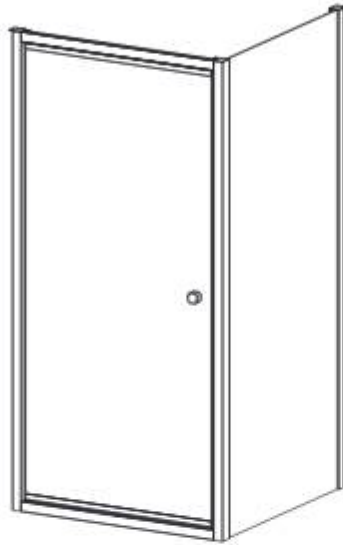
10



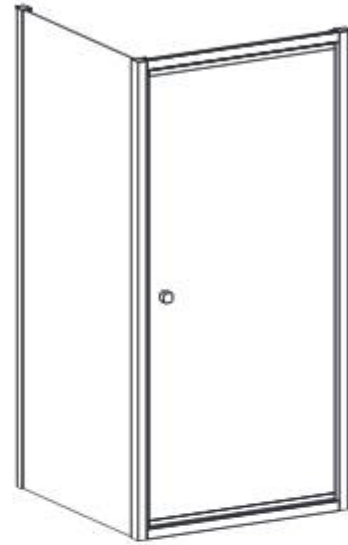
## INSTALLATION

Two options for installation of Infold door and Side panel.

**Option 1**

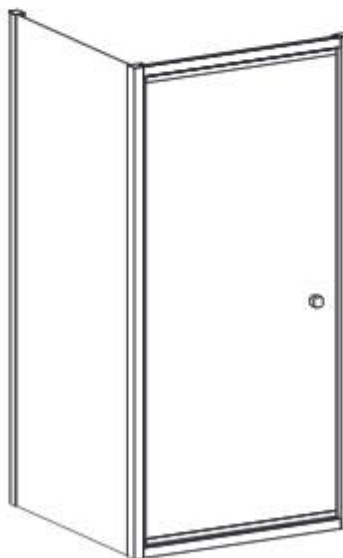


LH

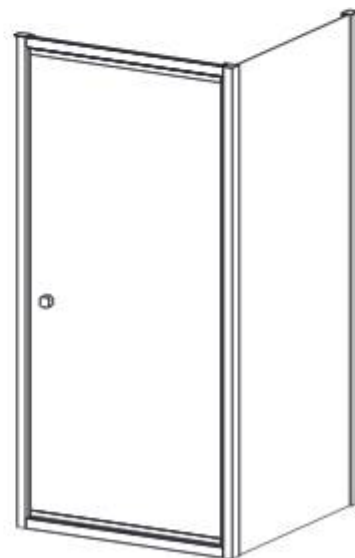


RH

**Option 2**



LH



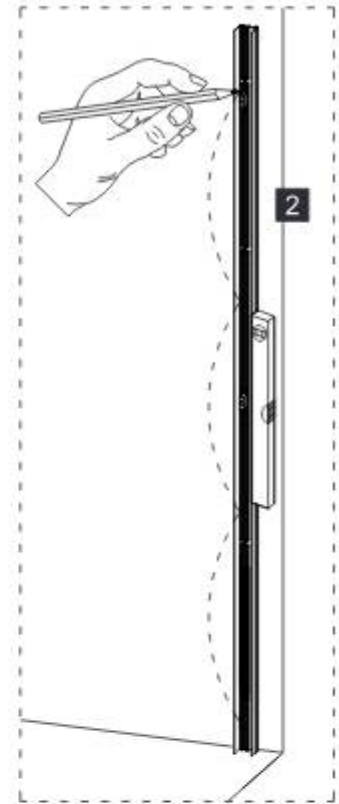
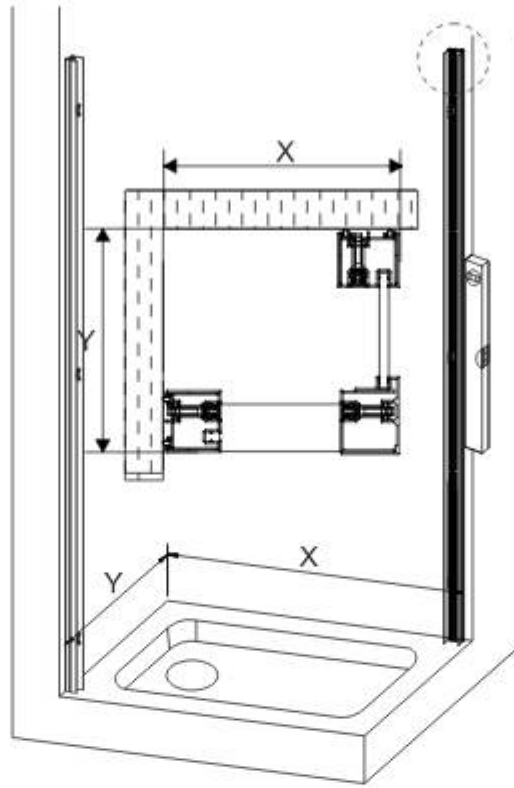
RH

# INSTALLATION

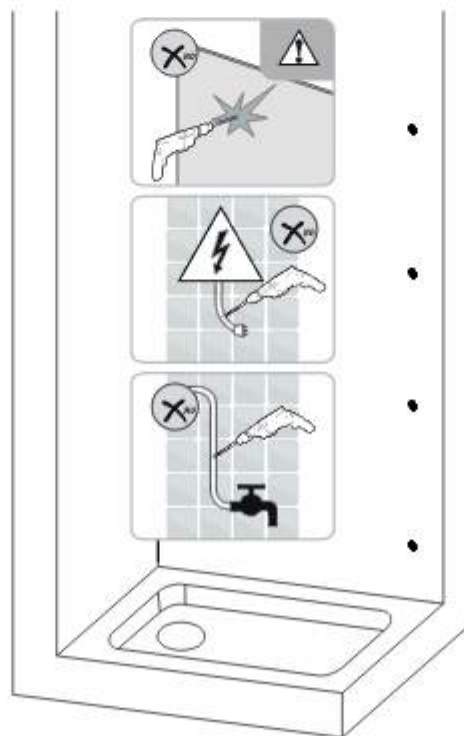
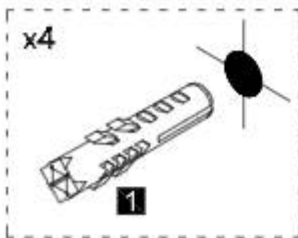
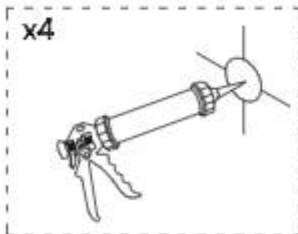
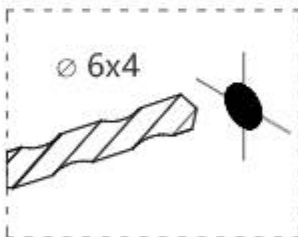
## Option 1

Product	X(mm)
Infold Door 700	650-680
Infold Door 760	710-740
Infold Door 800	750-780
Infold Door 900	850-880
Infold Door 1000	950-980

Product	Y(mm)
Side Panel 700	653-668
Side Panel 760	713-728
Side Panel 800	753-768
Side Panel 900	853-868



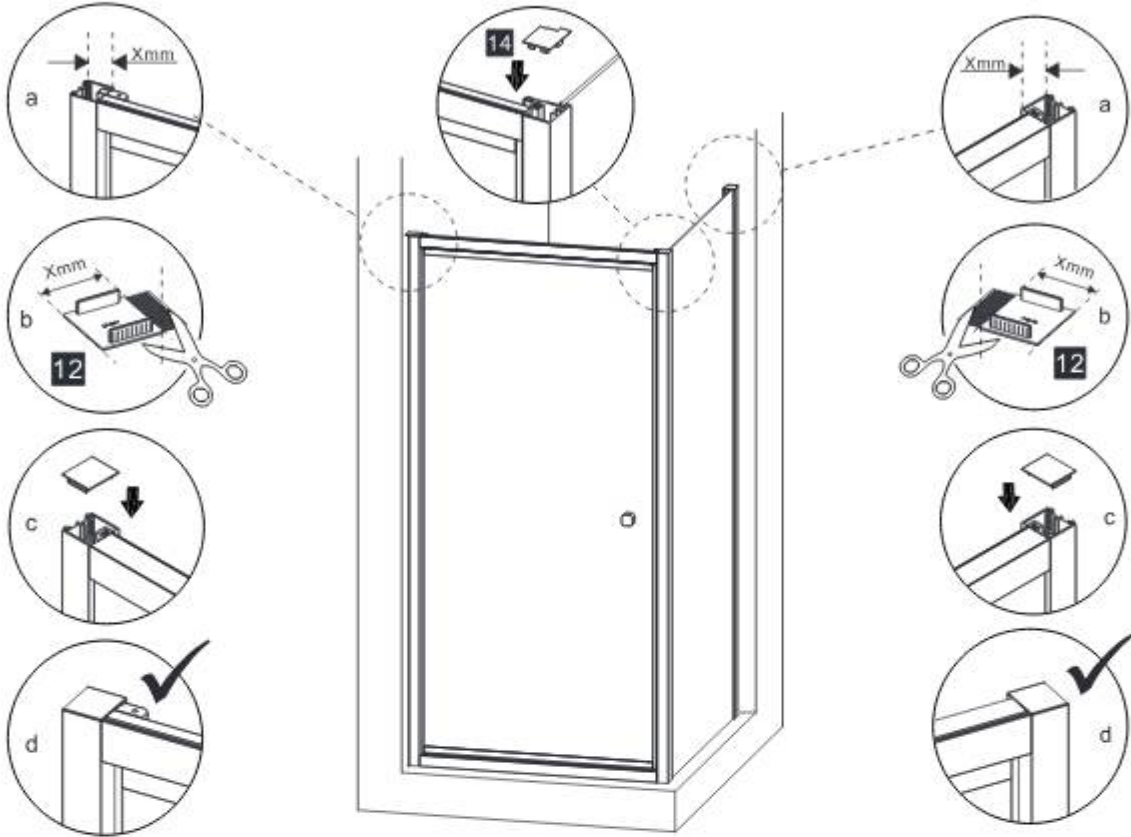
## Option 1



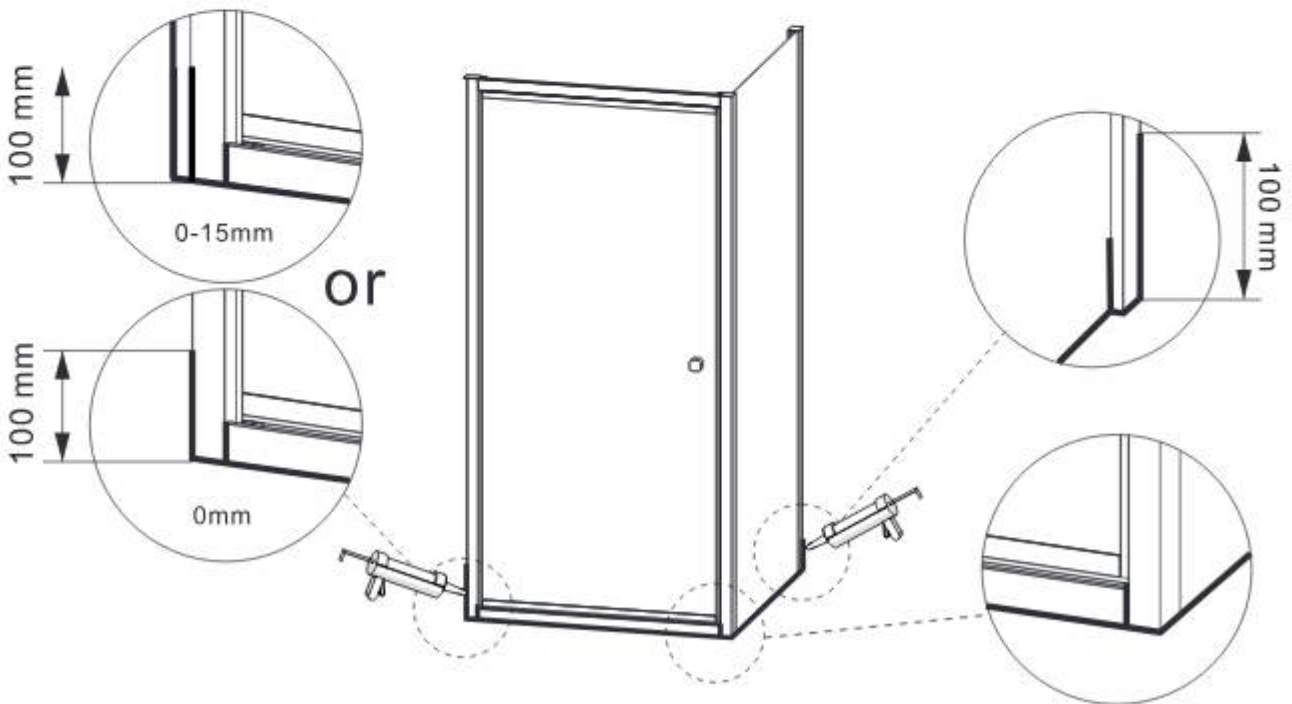


# INSTALLATION

## Option 1

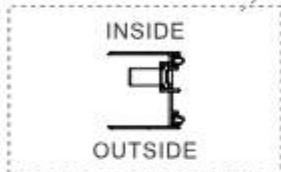
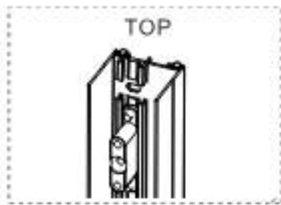


## Option 1



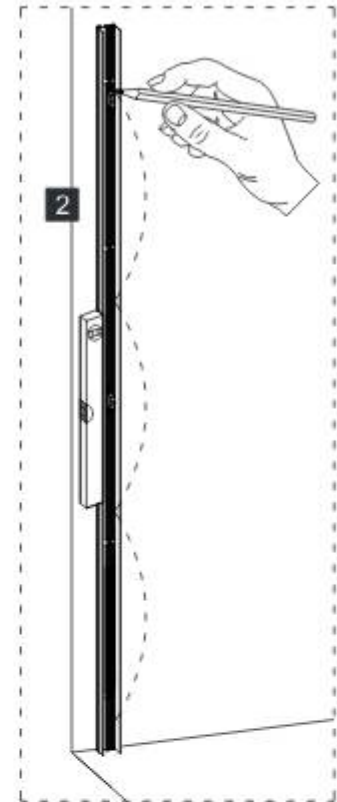
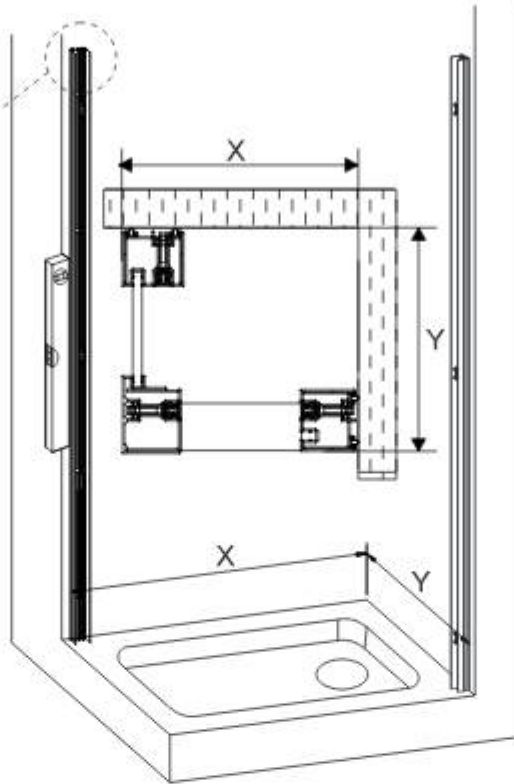
# INSTALLATION

## Option 2

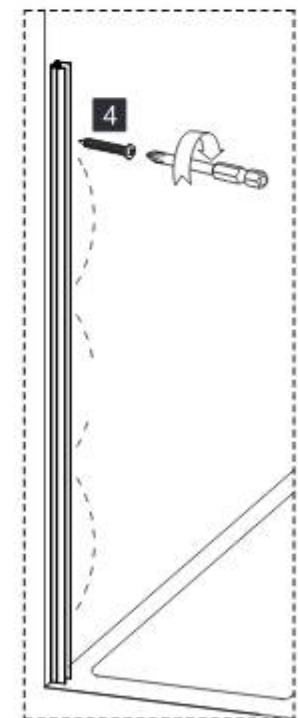
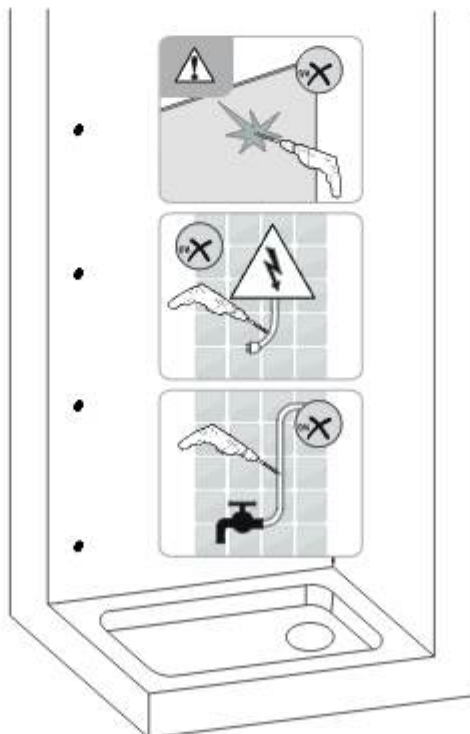
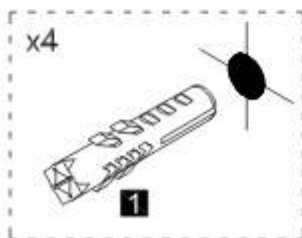
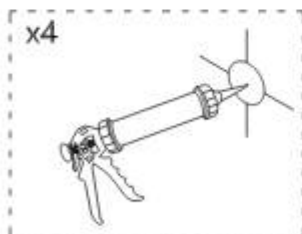
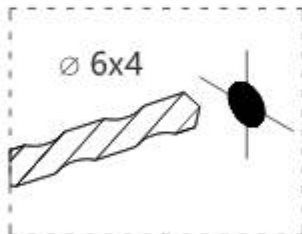


Product	X(mm)
Infold Door 700	650-680
Infold Door 780	710-740
Infold Door 800	750-780
Infold Door 900	850-880
Infold Door 1000	950-980

Product	Y(mm)
Side Panel 700	653-668
Side Panel 780	713-728
Side Panel 800	753-768
Side Panel 900	853-868

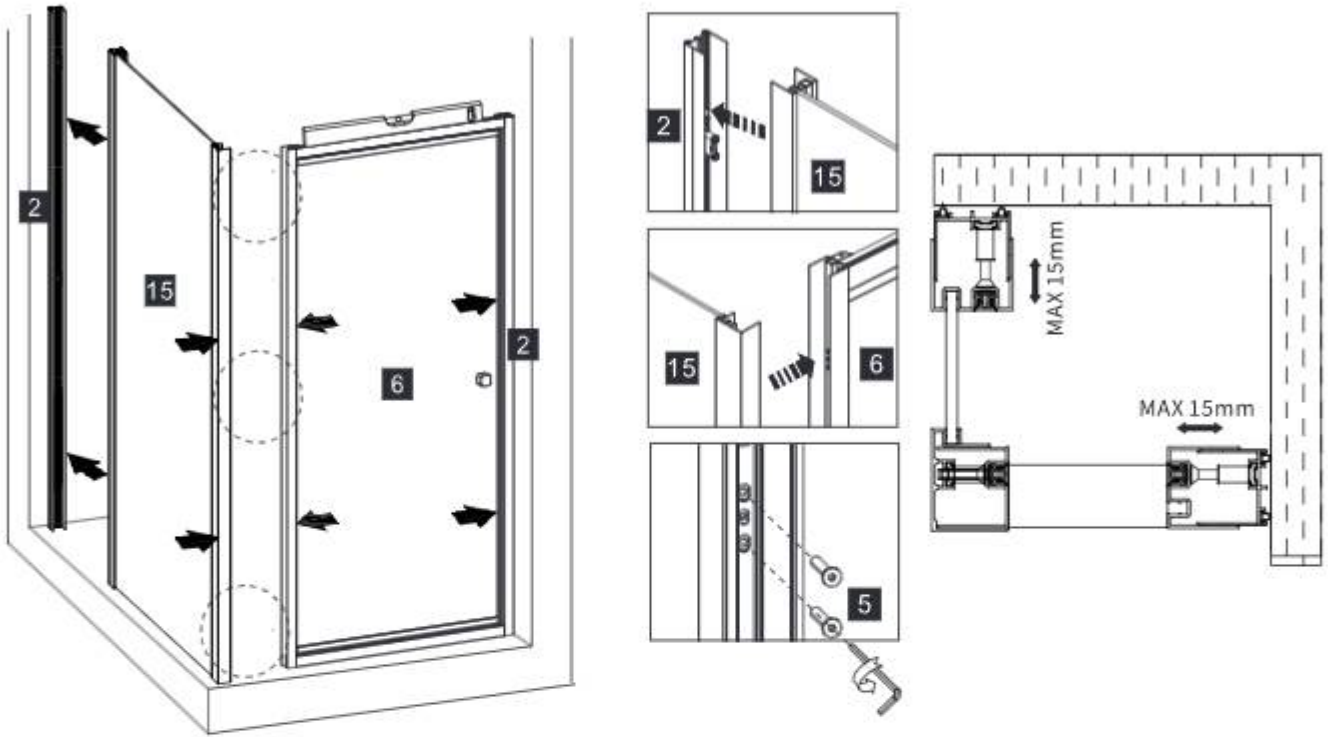


## Option 2

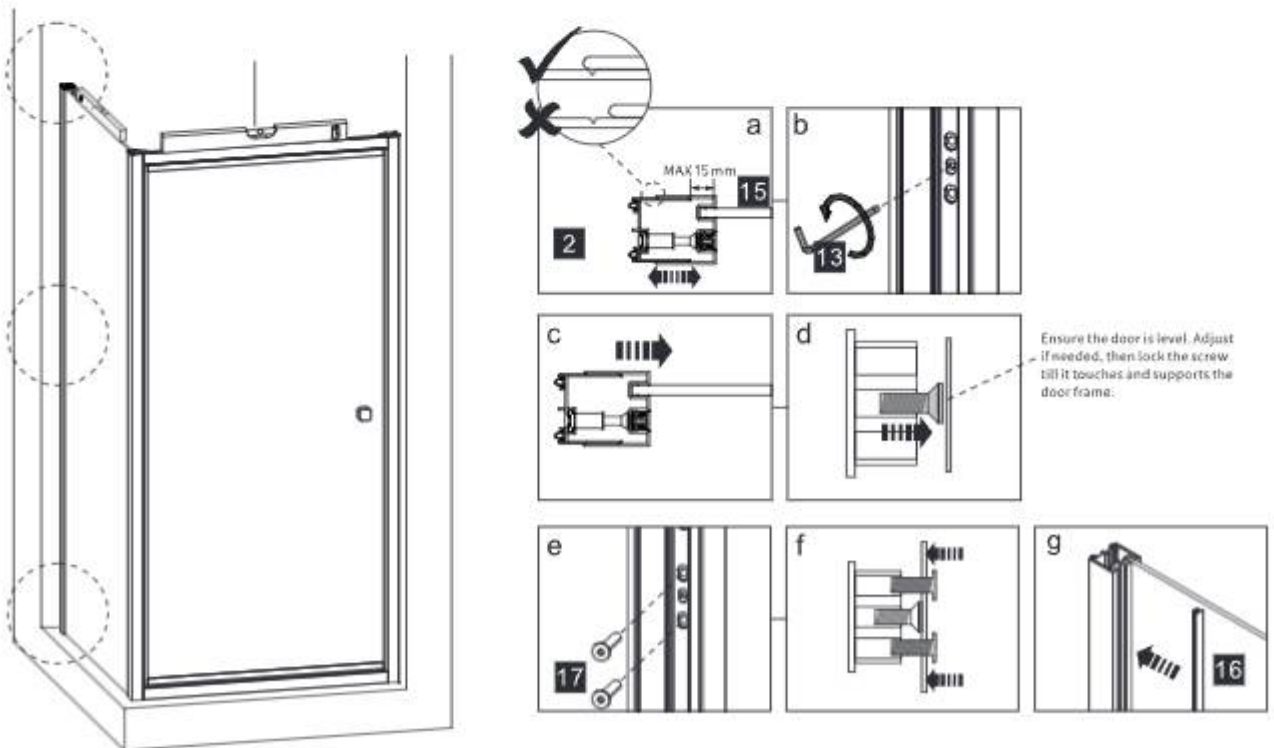


# INSTALLATION

## Option 2

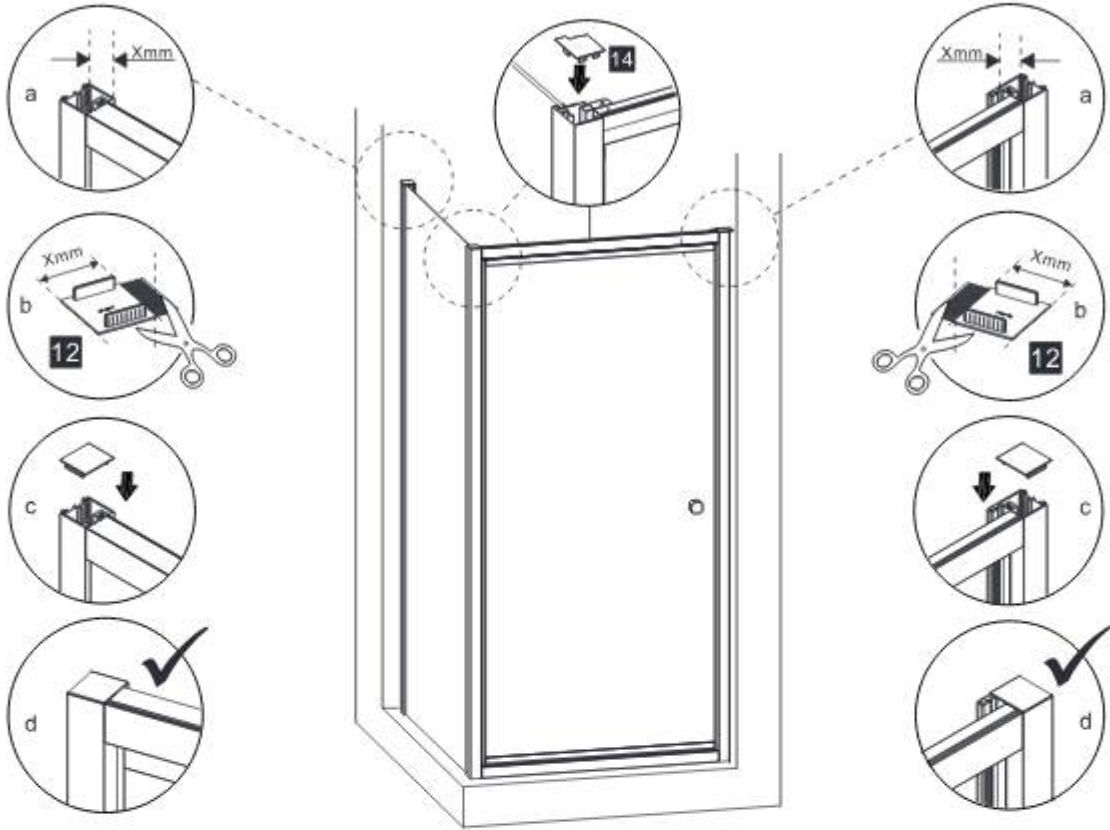


## Option 2



# INSTALLATION

## Option 2



## Option 2

