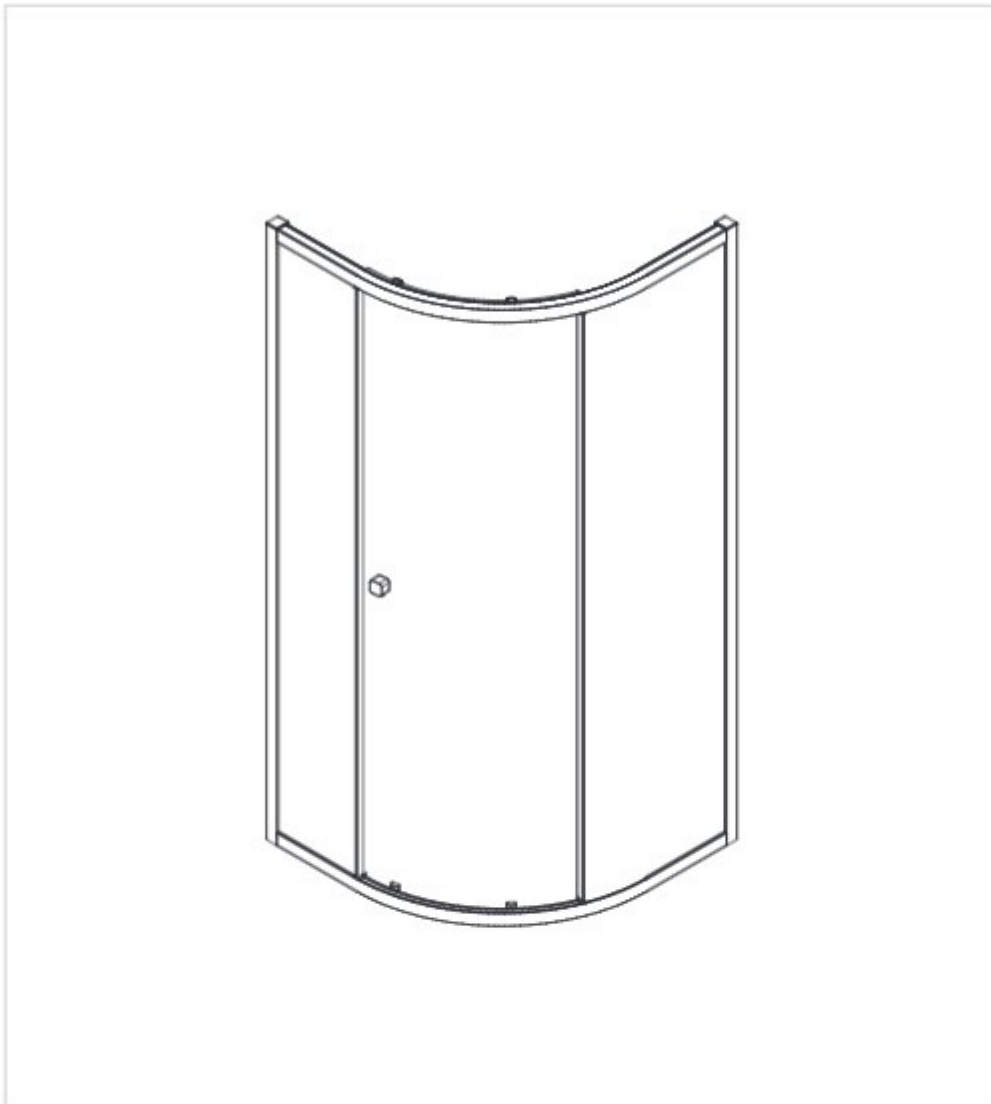


Quadrant Single Door



PRODUCT CODES:

CAQSSC0800_V2
CAQSSC0900_V2
CAQSSC10X8_V2
CAQSSC12X8_V2
CAQSSC12X9_V2
CAQSBC0800_V2
CAQSBC0900_V2
CAQSBC10X8_V2
CAQSBC12X8_V2
CAQSBC12X9_V2
CAQSFC0800_V2
CAQSFC0900_V2
CAQSFC10X8_V2
CAQSFC12X8_V2
CAQSFC12X9_V2
CAQSVC0800
CAQSVC0900
CAQSVC10X8
CAQSVC12X8
CAQSVC12X9
CAQSBZC0800
CAQSBZC0900
CAQSBZC10X8
CAQSBZC12X8
CAQSBZC12X9
CAQSTC0800
CAQSTC0900
CAQSTC10X8
CAQSTC12X8
CAQSTC12X9

HXQSSC0800
HXQSSC0900
HXQSSC10X8
HXQSSC12X8
HXQSSC12X9
HXQSBC0800
HXQSBC0900
HXQSBC10X8
HXQSBC12X8
HXQSBC12X9
HXQSFC0800
HXQSFC0900
HXQSFC10X8
HXQSFC12X8
HXQSFC12X9

1. Pre-Installation Checklist

☑ Before You Begin:

- Ensure all tiling/grouting is complete.
- Shower tray **must be level and sealed** to tiles.
- Verify door dimensions match your space (see Section 3).
- Check for hidden pipes/cables before drilling.

⚠ Safety Notes:

- **Two people required** for installation (glass is heavy!).
- Wear gloves when handling glass edges.

2. Unpacking & Components

Confirm all parts are present:

- Please refer to all components included on following page titled “COMPONENTS”

Missing/Damaged Parts?

Contact Bathroom Brands immediately: ☎0345 873 8840.

3. Step-by-Step Installation

A. Frame Assembly

1) Mark Drill Points:

- Use a spirit level to mark vertical lines for wall profiles.
- Drill 6mm holes at marked points; insert wall plugs.

2) Attach Wall Profiles:

- Secure profiles with ST4x50mm screws (x8 total).
- Cover ends with profile caps if any.

B. Door Installation

3) Hang the Door:

- Following the instruction to assemble the door, ensure door is fully secured.
- Make necessary adjustment if door doesn't close smoothly.

4) Apply Seals:

- Install necessary seals provided on door and side panel if any.

C. Final Checks

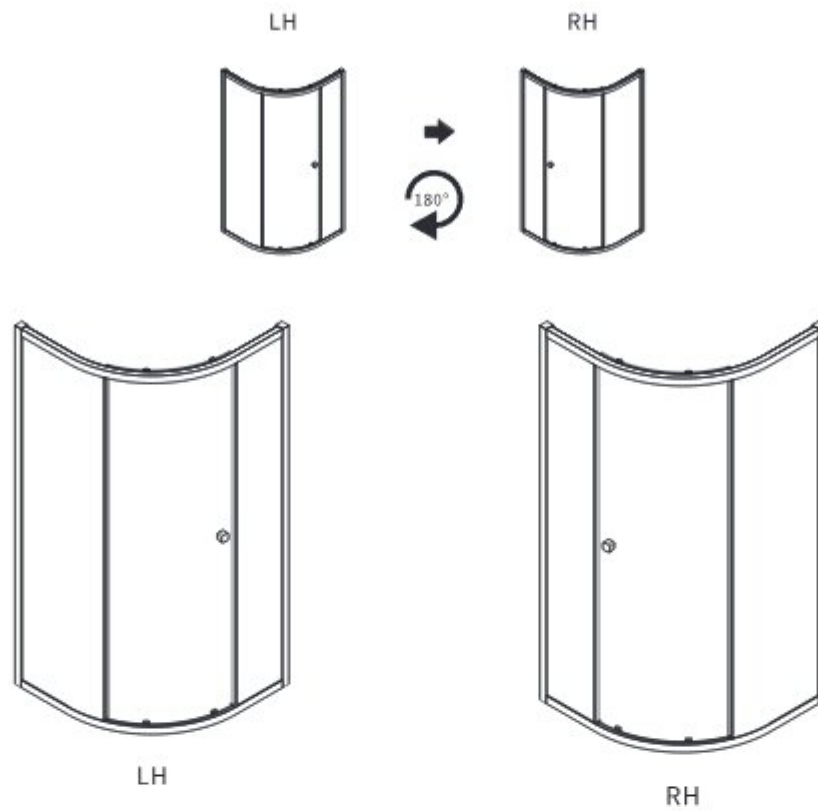
5) Level & Secure:

- Confirm door is level; tighten all screws.
- Let silicone cure for 24 hours before use.

4. Care & Maintenance










- **Cleaning:** Use only **pH-neutral soapy water** (pH 6.8–7.2).
- **Avoid:** Abrasives, solvents, or acidic cleaners.
Ensure seals are flush to prevent leaks.

ORIENTATION

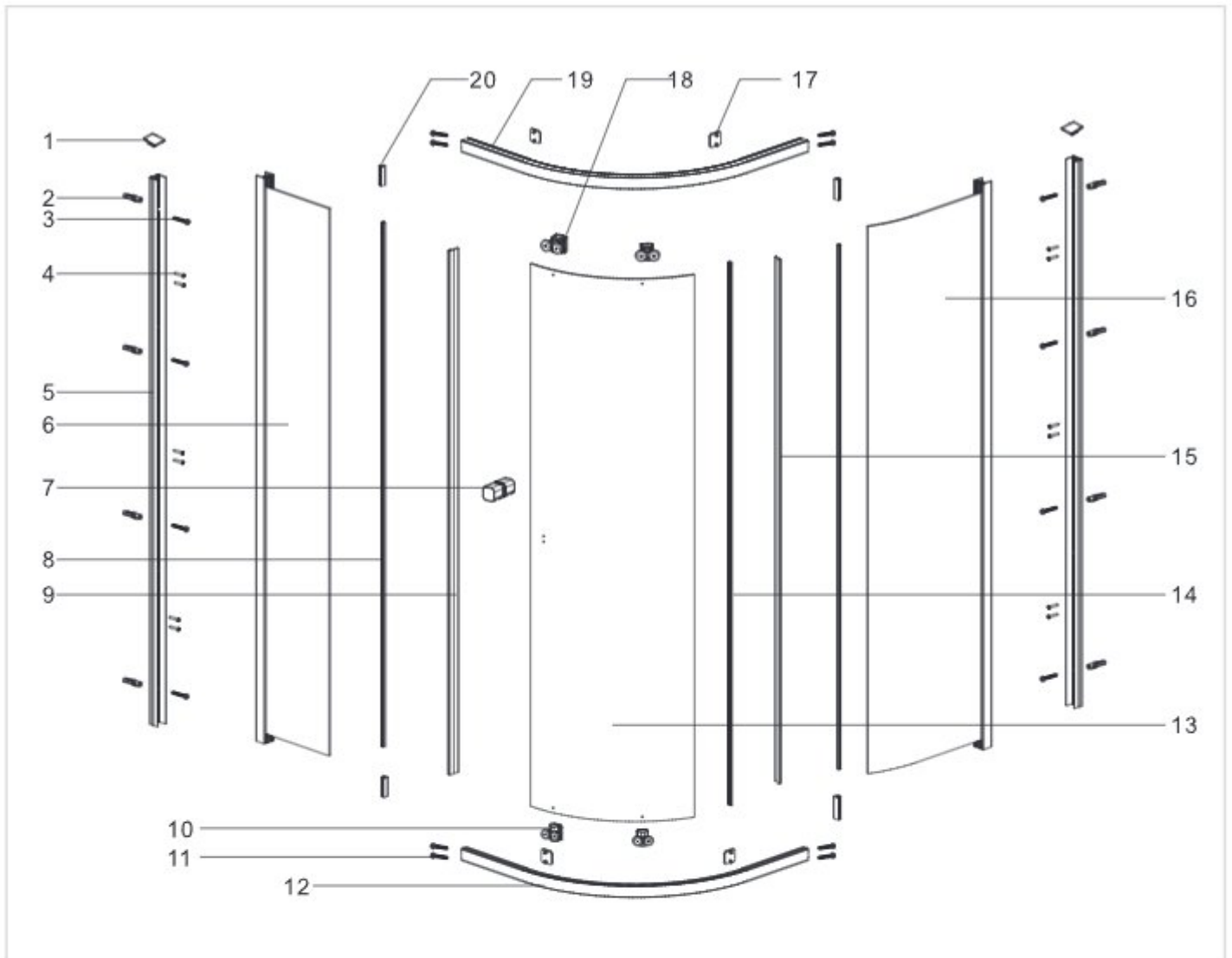







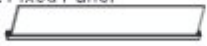
















This product is reversible for left or right hand opening.
Please follow the diagram, and detail below for your choice of installation.

Tools Required (not supplied):

Spirit Level		Torque Screw Driver	
Pencil		Snips	
Drill		6mm Drill Bit	
Silicone		Measuring Tape	
Knife			

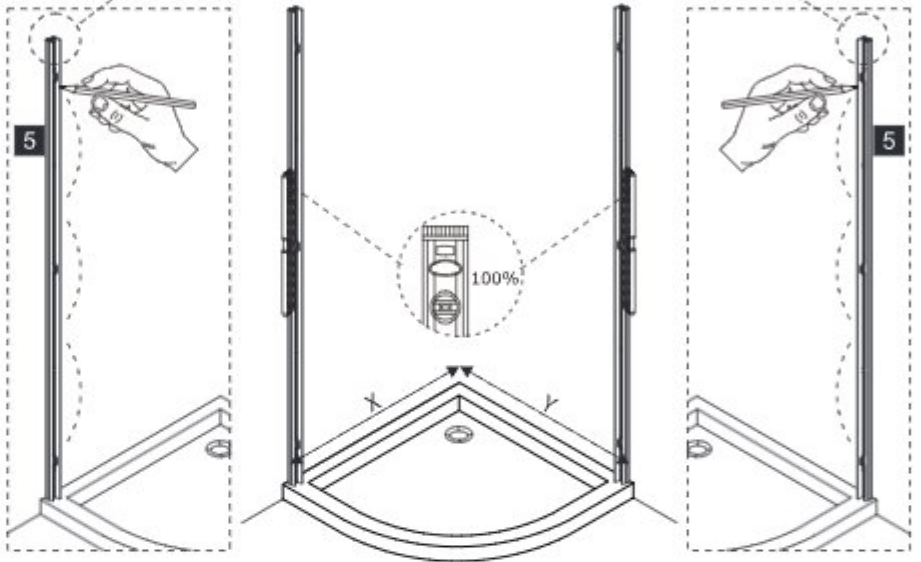
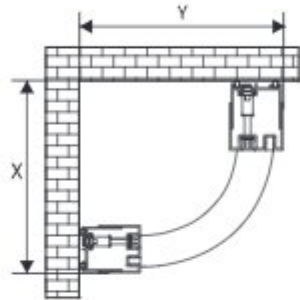
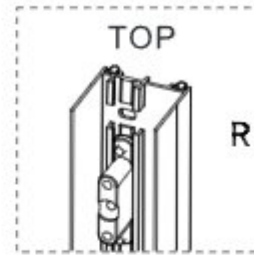
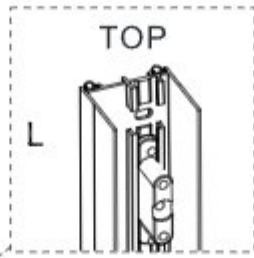
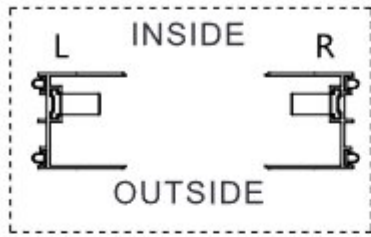
COMPONENTS



1	Wall Profile Cap  x2	2	Wall Plug  x8	3	Screw ST4*50  x8	4	Screw M5*25  x12
5	Wall Profile  x2	6	Flat Fixed Panel  x1	7	Handle  x1	8	Profile Cover Strip (long)  x2
9	Flat Glass Seal  x1	10	Bottom Roller  x2	11	Screw ST4*30  x8	12	Rail B  x1
13	Curved Moving Panel  x1	14	Curved Moving Panel Seal L=1935mm  x1	15	Fixed Curved Panel Seal L=1883mm  x1	16	Curved Fixed Panel  x1
17	Buffer cap  x4	18	Top Roller  x2	19	Rail A  x1	20	Profile Cover Strip (short)  x4
21	Wrench  x1	22	Allen Key  3mm				

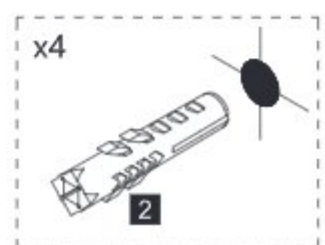
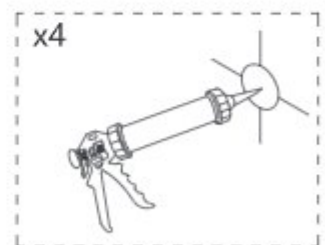
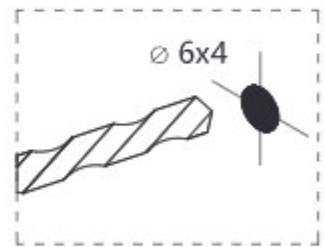
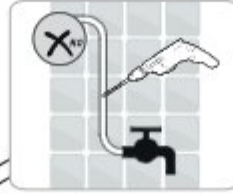
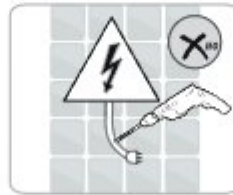
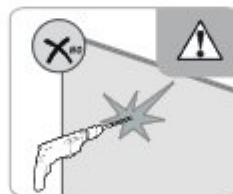
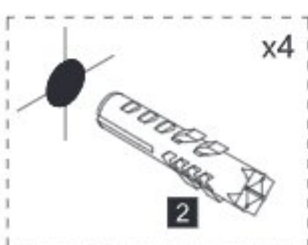
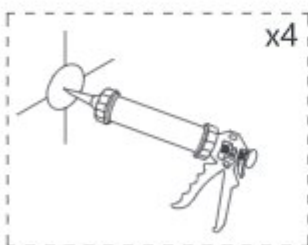
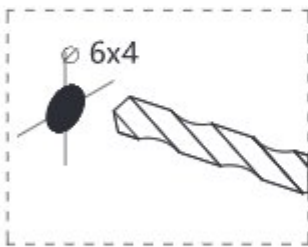
INSTALLATION

1



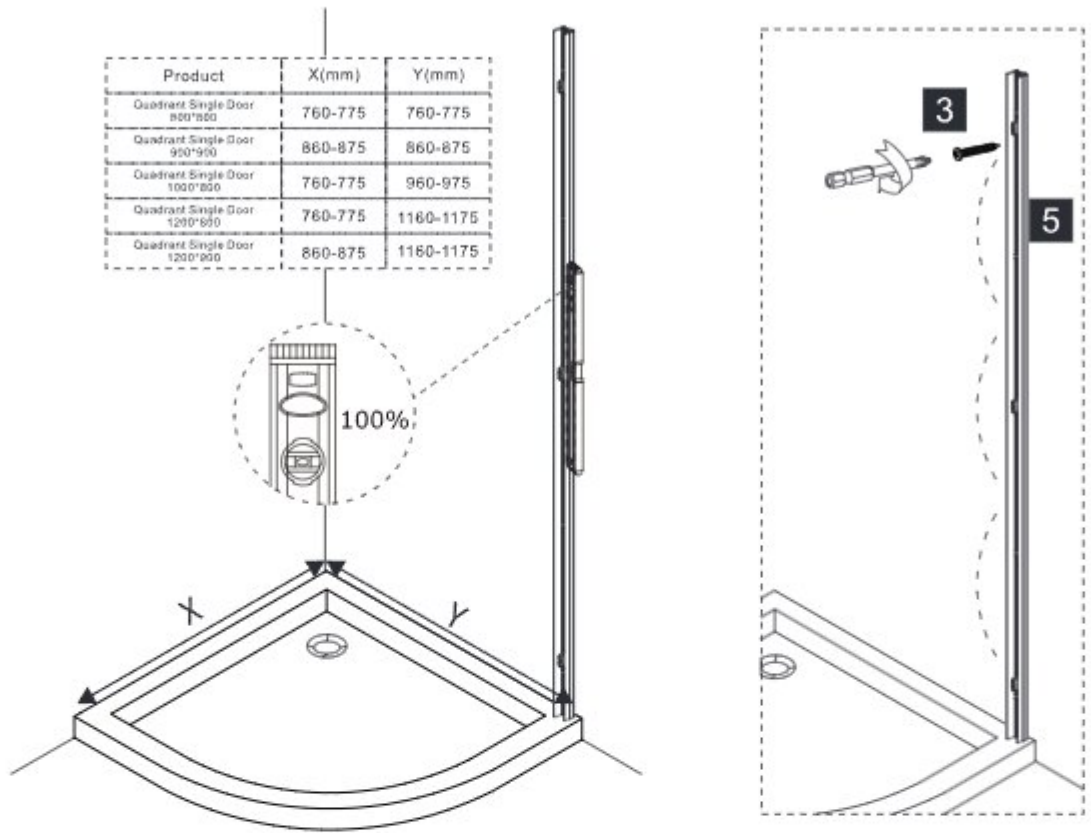
Product	X(mm)	Y(mm)
Quadrant Single Door 800*800	760-775	760-775
Quadrant Single Door 900*900	860-875	860-875
Quadrant Single Door 1000*800	760-775	960-975
Quadrant Single Door 1200*800	760-775	1160-1175
Quadrant Single Door 1200*900	860-875	1160-1175

2

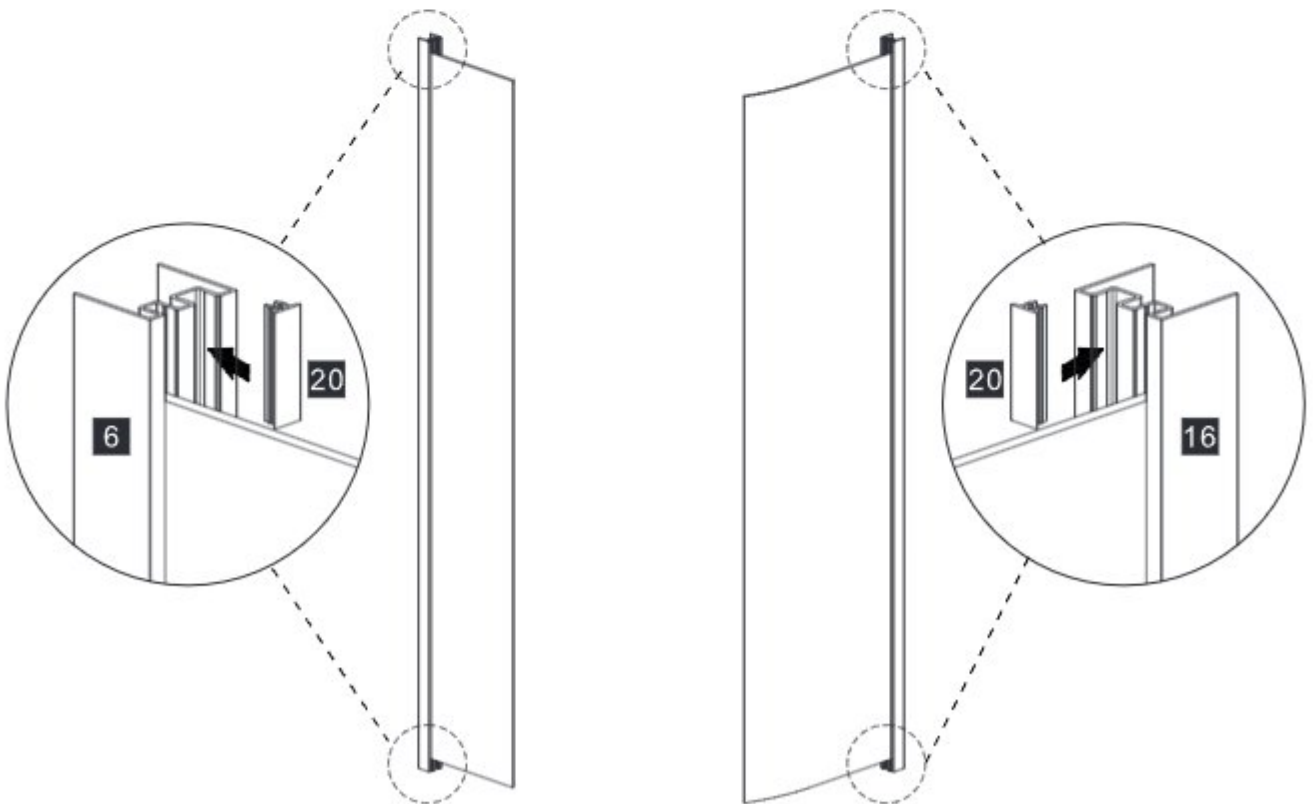


INSTALLATION

3

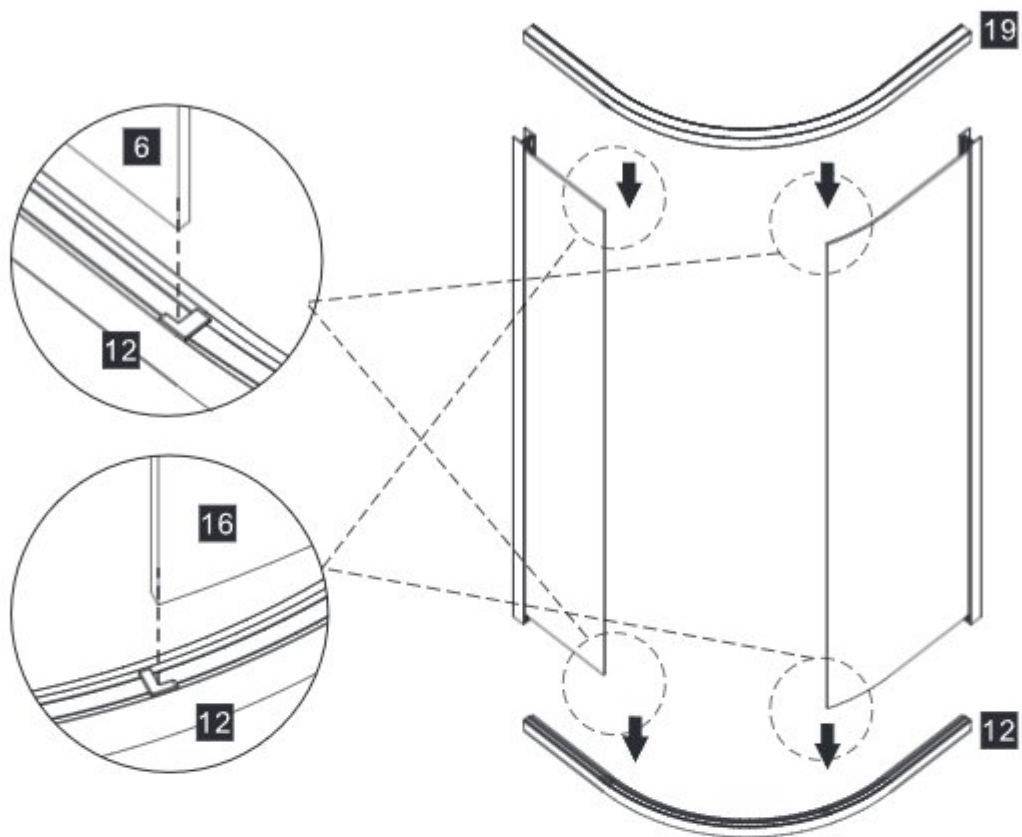


4

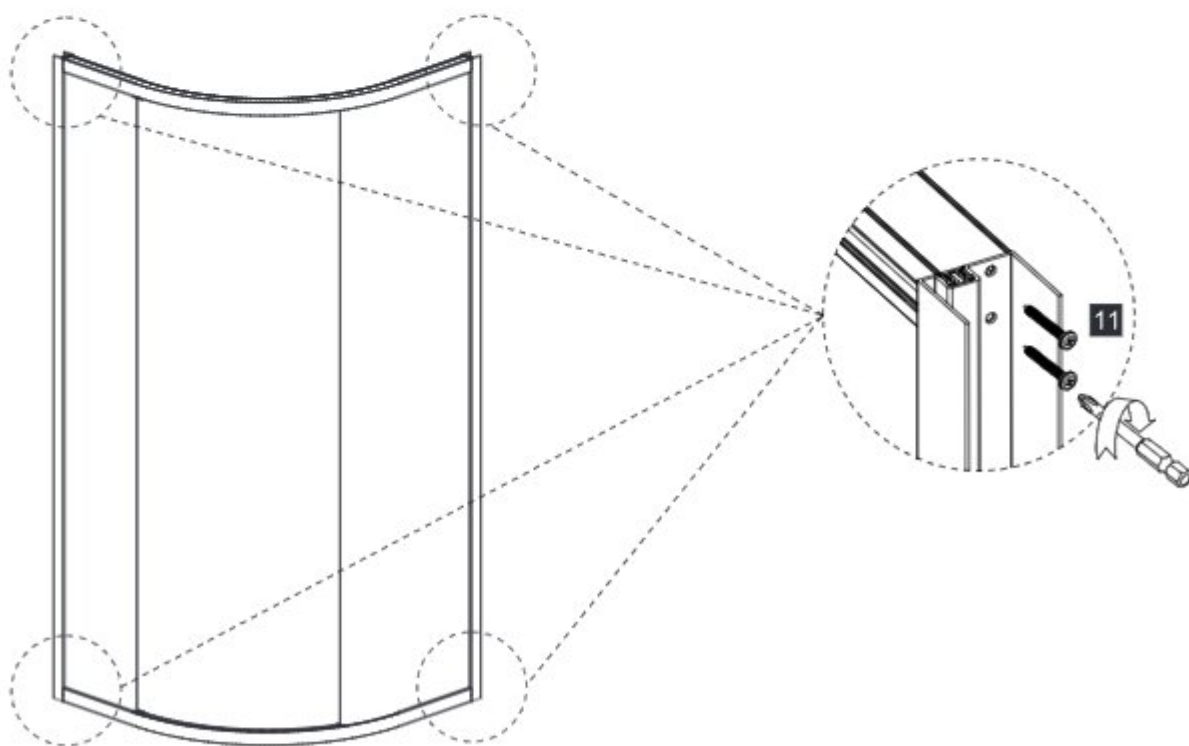


INSTALLATION

5



6



INSTALLATION

7

Product	X(mm)	Y(mm)
Quadrant Single Door 800*800	760-775	760-775
Quadrant Single Door 900*900	860-875	860-875
Quadrant Single Door 1000*800	760-775	960-975
Quadrant Single Door 1200*800	760-775	1160-1175
Quadrant Single Door 1200*900	860-875	1160-1175

8

± 0 mm

MAX 15mm

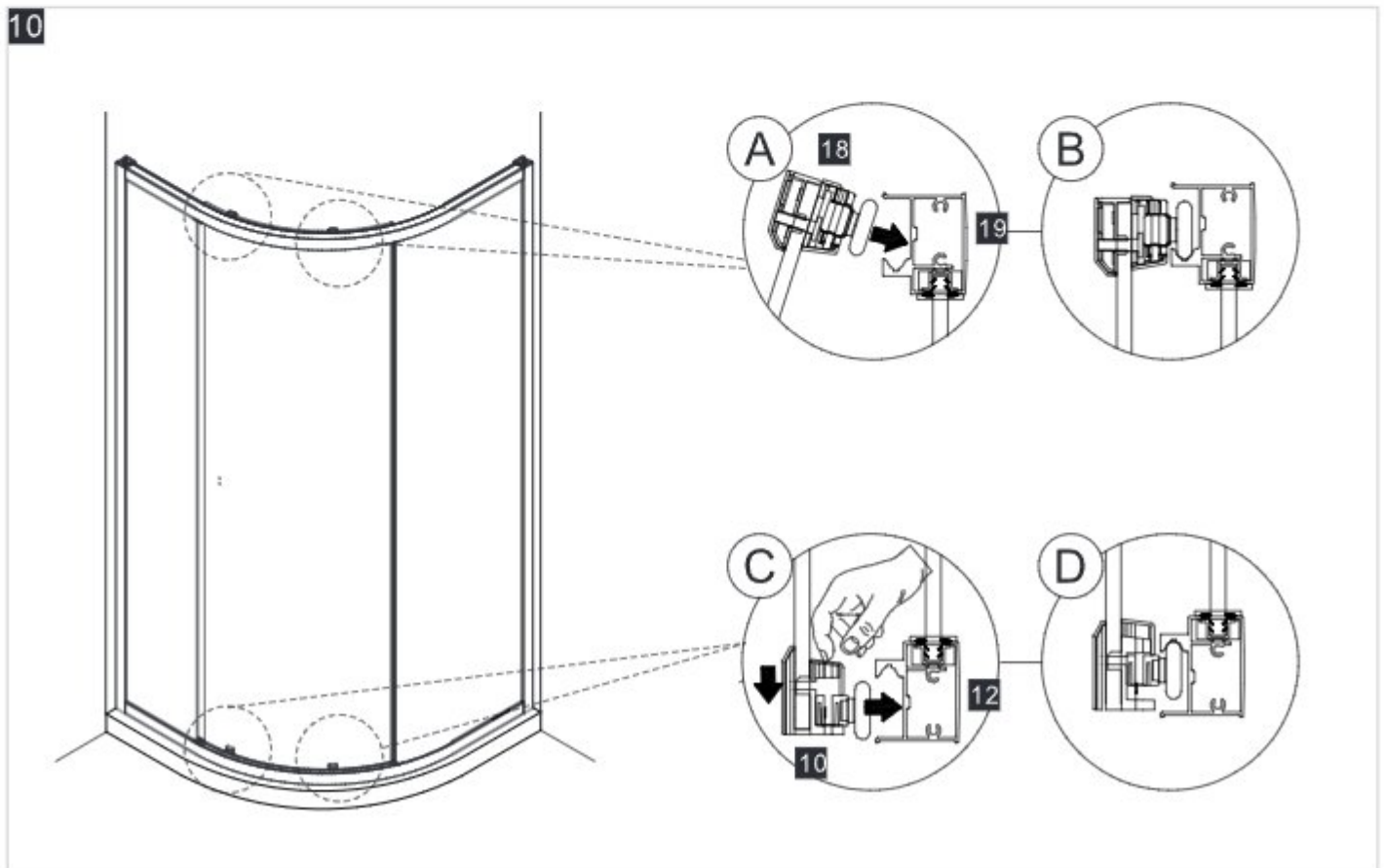
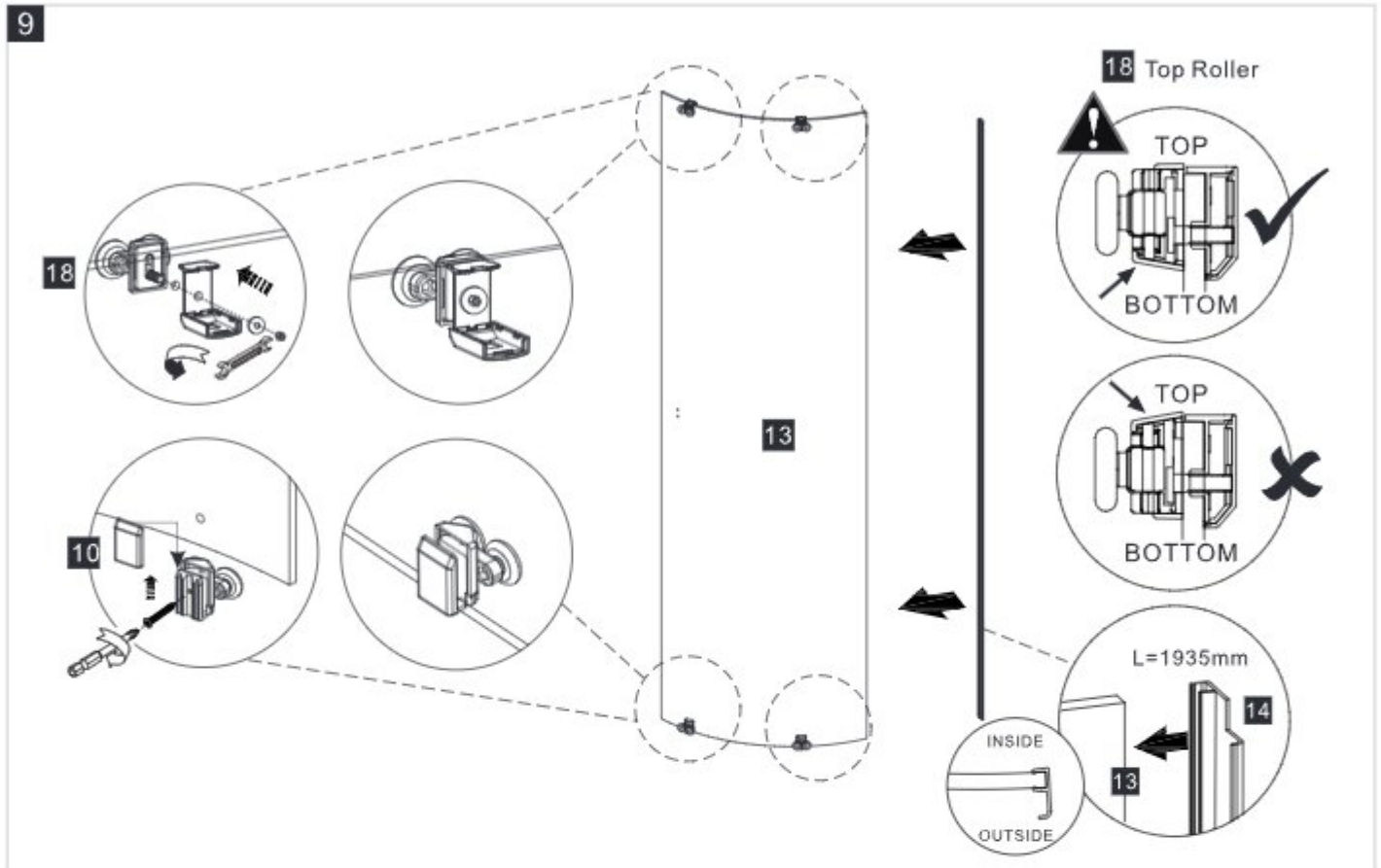
22

4

8

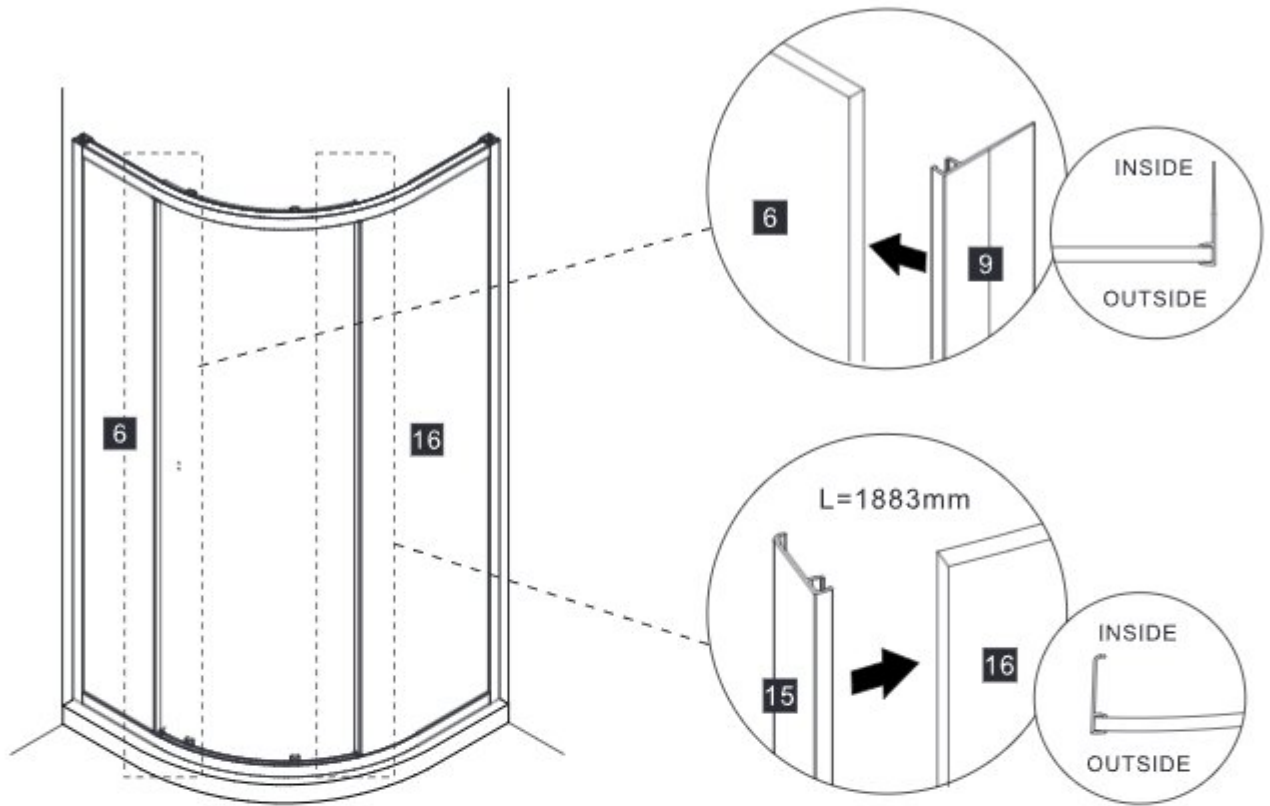
Ensure the door is level. Adjust if needed, then lock the screw till it touches and supports the door frame.

INSTALLATION

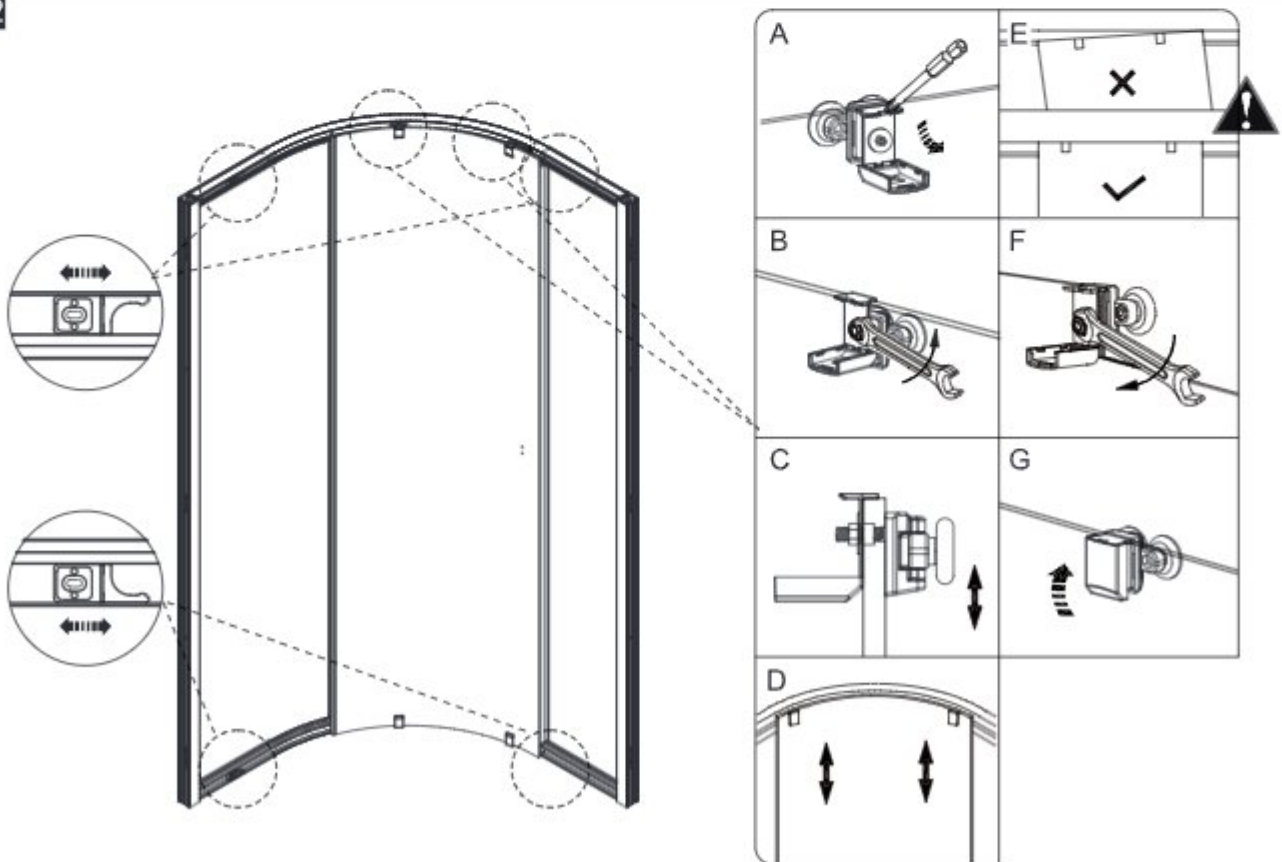


INSTALLATION

11

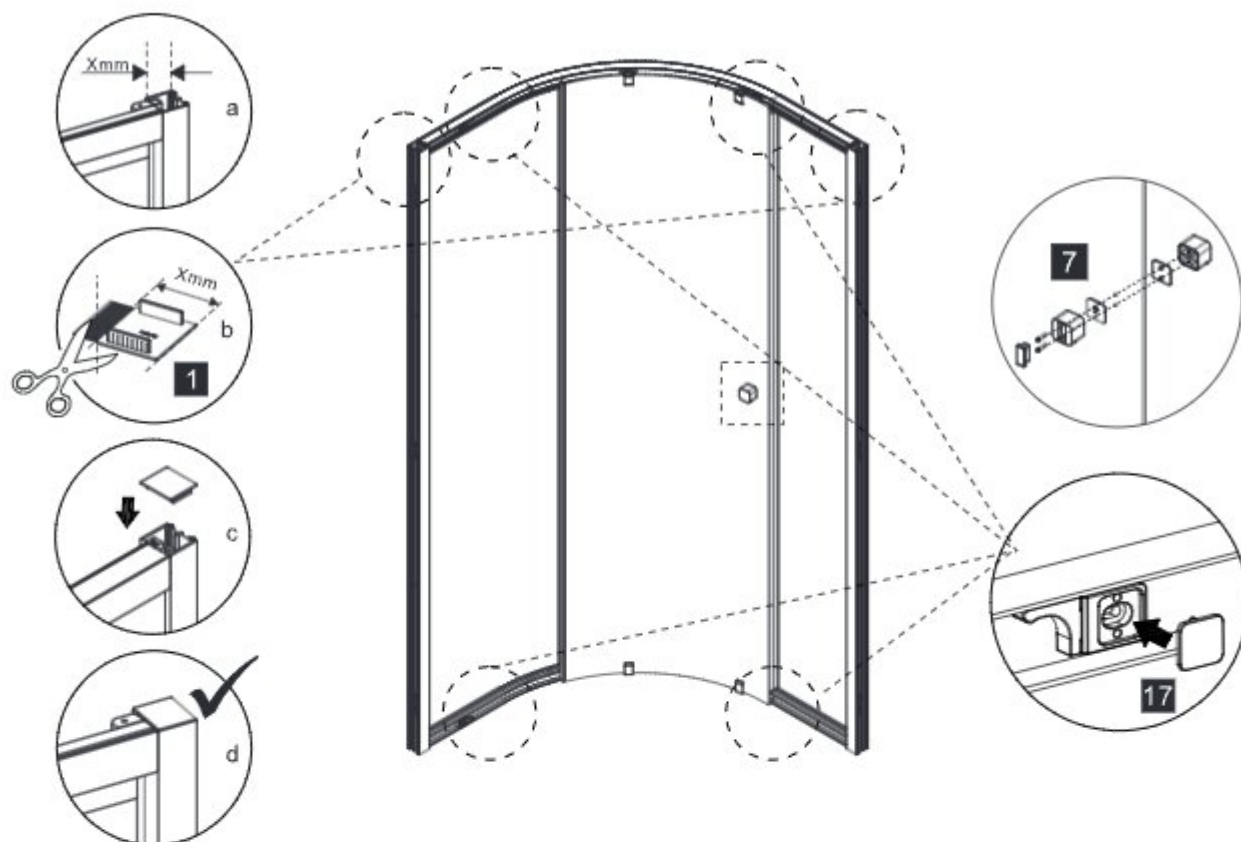


12



INSTALLATION

13



14

