

Installation Instructions

Optimum Shower Tray



226CAE 1214RN

Before you Start



Please read these instructions fully before starting. Although these instructions are comprehensive we always recommend that a technically competent installer undertake the installation.

Unpack and lay the tray flat in a warm room to acclimatise. Check that the shower tray is the colour, size, shape and type you require. Ensure that you have all relevant parts listed. **Do not install if not satisfied and contact your local supplier.**

Check that the top surface of the shower tray is compatible with your intended shower enclosure, taking into account the loss of dimension that will result after tiles etc have been fitted.

When considering your installation method, you should be able to attach or repair your waste or waste outlet in-situ.



Important

For raised installation, please only use the Universal Panel and Easy Plumb kit – Option 3 (with wood).

If you install this shower tray in conjunction with a steam unit, you must ensure the steam outlet is at a minimum of 350mm from the top of the tray.



When handling your shower tray take care not to damage the bottom edges and when installing take particular care to protect the visible surfaces from impact damage or abrasions.



Safety Notes

Caution: Care must be taken when drilling into walls or floors to avoid hidden pipes or electrical cables.



Care & Use of Your Shower Tray

These installation instructions should be retained and passed to the user for possible future reference.

Your shower tray can be maintained in an as near new condition for many years by following a simple cleaning procedure as follows:

It is normal for small amounts of localized water to be retained on the shower tray surfaces after use which should be wiped dry immediately to prevent build up of sediments.

The shower tray should be cleaned regularly with warm, soapy water only and dried with a cloth. Never use scourers, abrasives, bleach or other chemical cleaners.



Technical Help

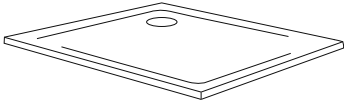
Technical Service Line: 0845 505 2211 / 01684 293311 Open Mon–Fri 9am–5pm



Dimensions are nominal and shown in millimetres unless otherwise stated.

Parts Supplied

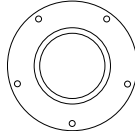
A



Qty 1

Shower Tray*

B



Qty 1

Flange Plate

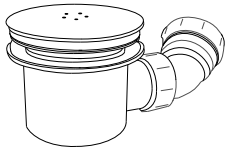
C



Qty 5

9mm Screws

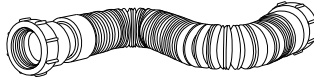
D



Qty 1

Bottle Trap

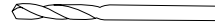
E



Qty 1

Extendable Flexi
Waste Pipe

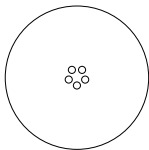
F



Qty 1

Drill Bit

G



Qty 1

Large Dome

H

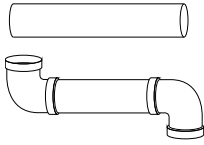


Qty 1

Replacement
Lower Seal

*Shape of tray may differ from illustration

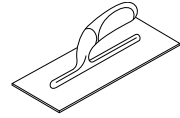
Tools and Materials Required (not supplied)



Plumbing Pipe and Fittings



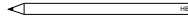
Compound or Contact Adhesive



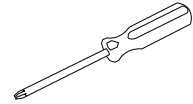
Trowel



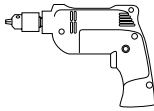
Spirit Level



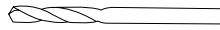
Pencil



Cross-Head Screwdriver



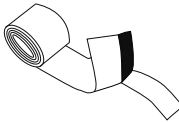
Power Drill



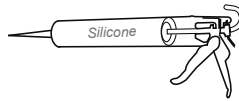
Drill Bits



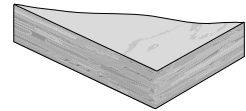
Safety Eyewear



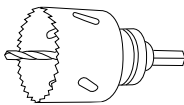
Flexi Seal Strip



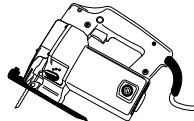
Silicone Sealant



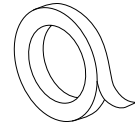
Plywood Board (min 18mm thick)



Hole Cutter



Jigsaw



Masking Tape

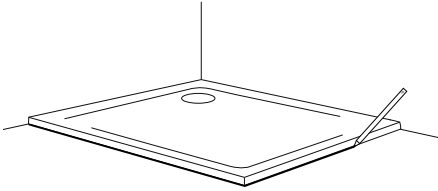


Floor Screws

Note! Other tools and materials may be needed depending on the specific site requirements.

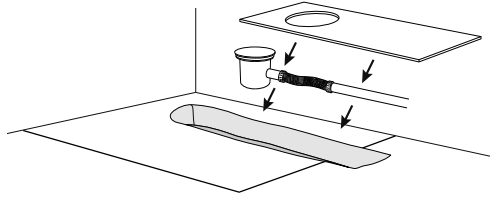
Installation – Solid Floor

1



Place the shower tray **A** in position on the floor (ensuring surface is level) and mark the perimeter and waste hole on the floor.

2



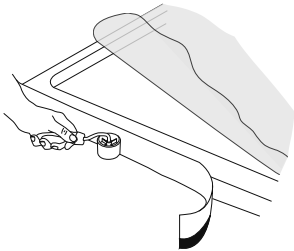
Form a trench in the floor to hold the flexi waste pipe **B** and the bottle trap **D**.

Install the waste pipe, bottle trap **D** and flexi waste pipe **B** in the trench in accordance with building regulations, then blank off the trench (using 18mm ply with waste outlet cutout hole) so it remains clear after laying an adhesive bed on the area to support and stick down the shower tray **A**.

Before proceeding dry fit all items in-situ to ensure compatibility.

Note! It is normal for the tray to appear elastic when undertaking a test dry fitting.

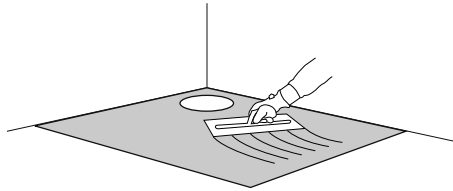
3 Optional Flexi Seal Strip



Note! Some shower trays have a protective film (indicated by a label on the surface) which MUST now be removed. Undertake a final inspection of the shower tray at this stage. DO NOT PROCEED IF NOT SATISFIED.

If fitting the optional Flexi Seal Strip (not supplied) follow the instructions later in this guide to attach the strip to the shower tray at this stage.

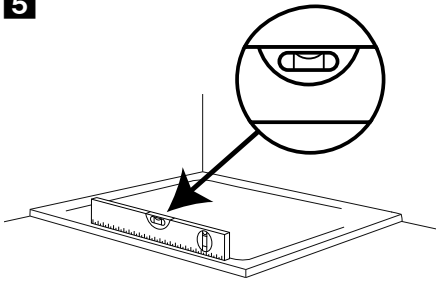
4



Use installation compound adhesive or a suitable contact adhesive to cover the full area under the shower tray. Apply or trowel to a thickness suitable to allow full adhesive support of the shower tray.

Note! Always follow the instructions supplied with the adhesive.

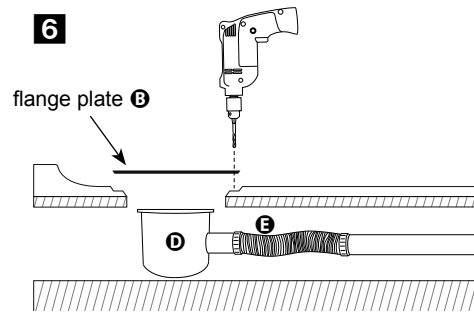
Floor Level Installation for Concrete or Other Solid Floors

5

Place the shower tray **A** onto the wet adhesive ensuring that it is fully supported by the mix. Check the level of the top rims only as the shower tray has a built in fall for adequate drainage.

Note! Ensure tray is fully stuck down – weight down if necessary to ensure level and that good contact is made with the adhesive.

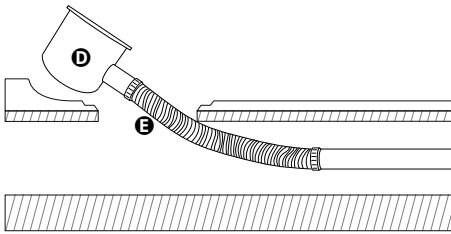
Remove any excess and allow the adhesive to set.

6

Place the flange plate **B** in position on shower tray **A** and then using the 2mm drill bit **F** drill a hole in the shower tray through the centre of one of the five pre-drilled holes in the flange plate.

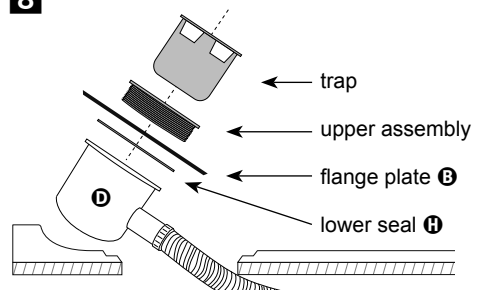
Screw the flange plate **B** using one of the five screws **G** to the shower tray. **DO NOT OVERTIGHTEN.**

With the flange plate **B** securely in position proceed to drill through the remaining pre-drilled holes in the flange plate into the shower tray.

7

Unscrew and remove the flange plate **B** from the shower tray **A**.

Extend the flexi pipe **E** with bottle trap **D** attached by pulling through the hole in the shower tray **A**.

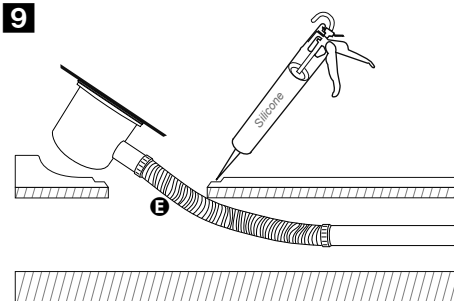
8

Assemble (without dome) onto flange plate **B**, using replacement lower seal **H** only making sure that the flange plate is aligned with the pre-drilled screw holes around the periphery of the outlet hole.

Note! It is important to discard the lower seal supplied with bottle trap **D when assembling on to flange plate **B** and use only replacement seal **H** as supplied with tray.**

Silicone sealant should be used on all surfaces against the flange plate **B.**

Installation – Solid Floor

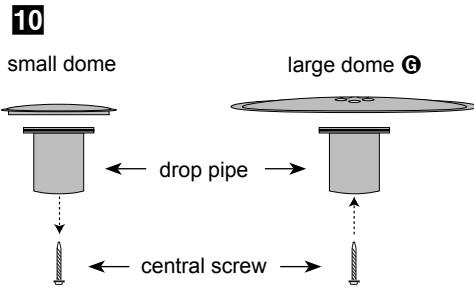


Apply silicone over the entire area between the edge of the outlet hole in the shower tray **A** and the underside of the flange plate **B**.

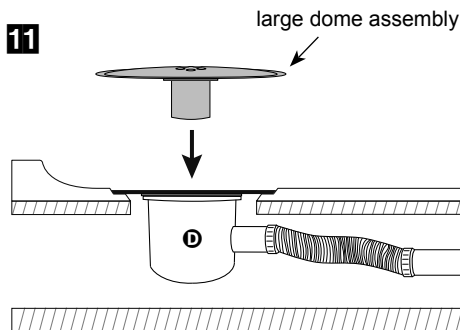
Push the assembly back through the hole taking care not to kink or sag the flexi waste pipe **E** and attach flange plate **B** to the shower tray **A** using the five screws **C**.

DO NOT OVERTIGHTEN.

Remove any excess silicone.



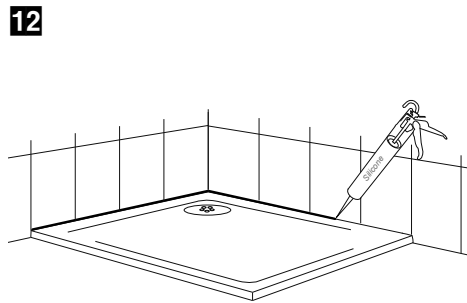
Remove drop pipe from original small dome on bottle tap **D** by unscrewing the central screw in the base of the dome. Re-attach drop pipe to large dome **G** supplied with the tray by using the same central screw in the base.



Push fit large dome assembly into bottle trap **D**.

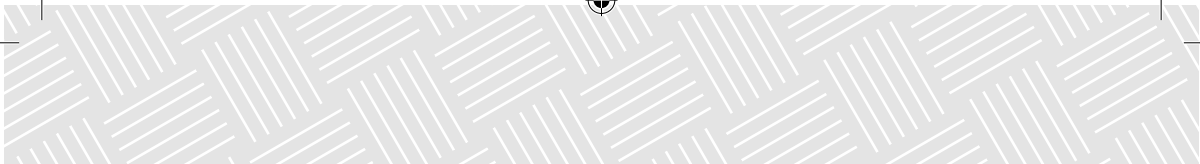
Note! The shower tray and all connections MUST now be checked for water tightness, flow and adequate drainage over the entire area.

DO NOT PROCEED IF NOT SATISFIED.



After all checks and adjustments, tile and then seal along the tiling line with silicone sealant. If necessary use a proprietary silicone cleaning solvent prior to application.

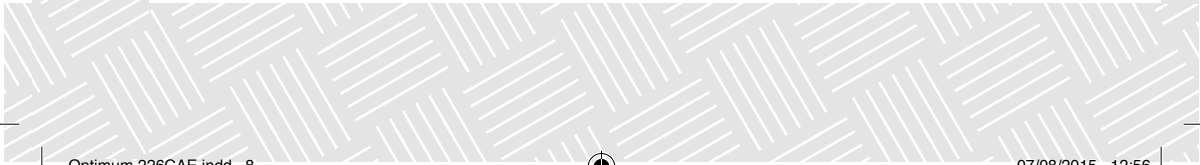
Floor Level Installation for Concrete or Other Solid Floors



F
a
t
(
F
t
k

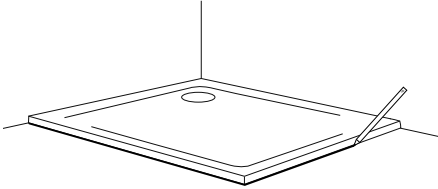


I
v
P



Installation – *Suspended Floor*

1

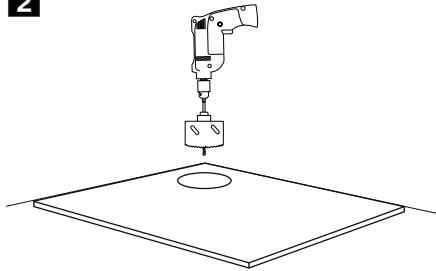


Place the shower tray **A** in position on the floor and mark the perimeter.

The floor area (or larger) covered by the shower tray must be removed and replaced with a single (level) piece of plywood (minimum 18mm thick).

Put the plywood in position, place the shower tray on the plywood and mark the waste hole location.

2

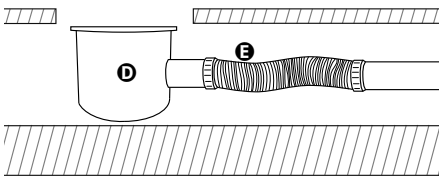


Remove the shower tray **A**, and drill or cut a hole in the plywood 20mm larger than the total size of the hole in the shower tray.

Before proceeding dry fit all items in-situ to ensure compatibility.

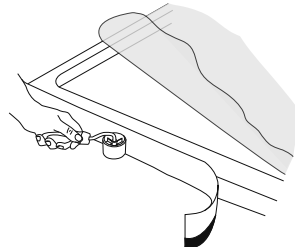
Note! It is normal for the tray to appear elastic/distorted when undertaking a dry test fitting.

3



Install the waste pipe, bottle trap **D** and flexi waste pipe **E** in the cavity and then screw plywood level in position.

4 **Optional Flexi Seal Strip**

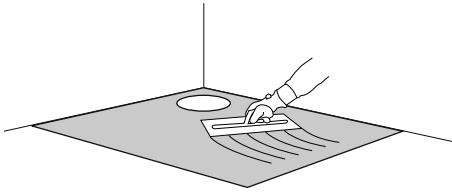


Note! Some shower trays have a protective film (indicated by a label on the surface) which MUST now be removed. Undertake a final inspection of the shower tray at this stage. DO NOT PROCEED IF NOT SATISFIED.

If fitting the optional Flexi Seal Strip (not supplied) follow the instructions later in this guide to attach the strip to the shower tray at this stage.

Floor Level Installation for Suspended Floors

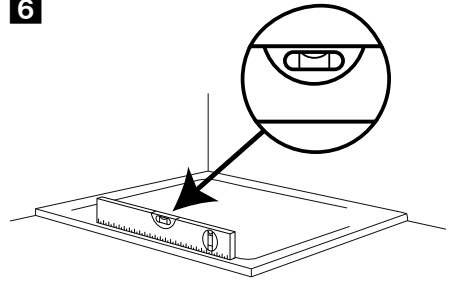
5



Use installation compound adhesive or a suitable contact adhesive to cover the full area under the shower tray. Apply or trowel to a thickness suitable to allow full adhesive support of the shower tray.

Note! Always follow the instructions supplied with the adhesive.

6

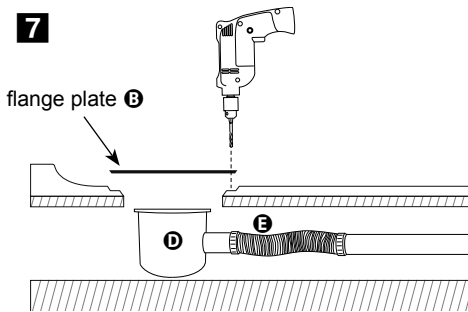


Place the shower tray **A** onto the wet adhesive ensuring that it is fully supported by the mix. Check the level of the top rims only as the shower tray has a built in fall for adequate drainage.

Note! Ensure tray is fully stuck down – weight down if necessary to ensure level and that good contact is made with the adhesive.

Remove any excess and allow the adhesive to set.

7

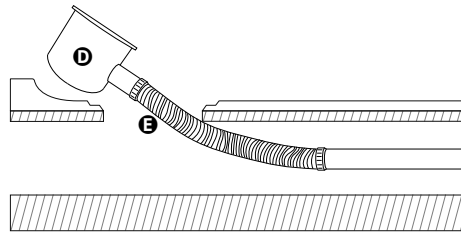


Place the flange plate **B** in position on shower tray **A** and then using the 2mm drill bit **F** drill a hole in the shower tray through the centre of one of the five pre-drilled holes in the flange plate.

Screw the flange plate **B** using one of the five screws **C** to the shower tray. **DO NOT OVERTIGHTEN.**

With the flange plate **B** securely in position proceed to drill through the remaining pre-drilled holes in the flange plate into the shower tray.

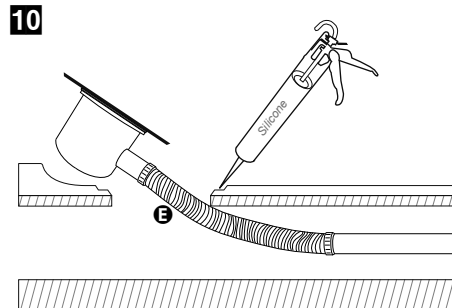
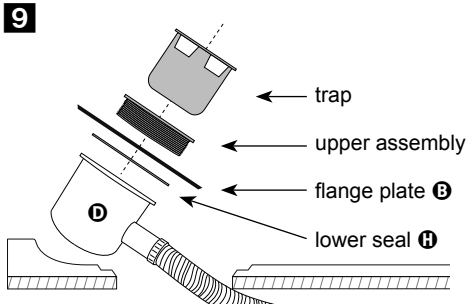
8



Unscrew and remove the flange plate **B** from the shower tray **A**.

Extend the flexi pipe **E** with bottle trap **D** attached by pulling through the hole in the shower tray **A**.

Installation – *Suspended Floor*



Assemble (without dome) onto flange plate **E**, using replacement lower seal **F** only making sure that the flange plate is aligned with the pre-drilled screw holes around the periphery of the outlet hole.

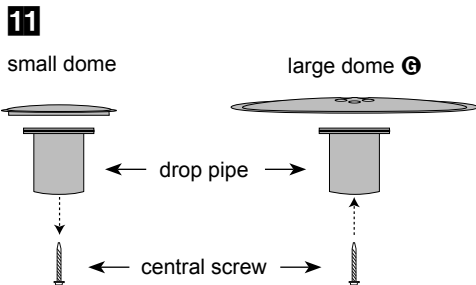
Note! It is important to discard the lower seal supplied with bottle trap **D when assembling on to flange plate **E** and use only replacement seal **F** as supplied with tray.**

A silicone sealant should be used on all surfaces against the flange plate **E.**

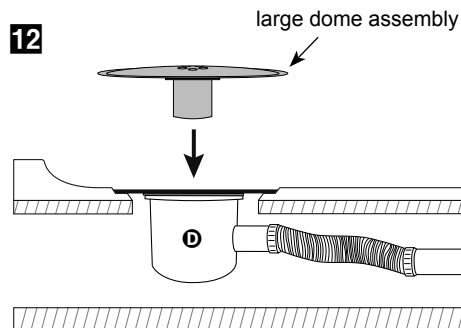
Apply silicone over the entire area between the edge of the outlet hole in the shower tray **A** and the underside of the flange plate **E**.

Push the assembly back through the hole taking care not to kink or sag the flexi waste pipe **F** and attach flange plate **E** to the shower tray **A** using the five screws **C**

DO NOT OVERTIGHTEN. Remove any excess silicone.



Remove drop pipe from original small dome on bottle tap **D** by unscrewing the central screw in the base of the dome. Re-attach drop pipe to large dome **G** supplied with the tray by using the same central screw in the base.



Push fit large dome assembly into bottle trap **D**

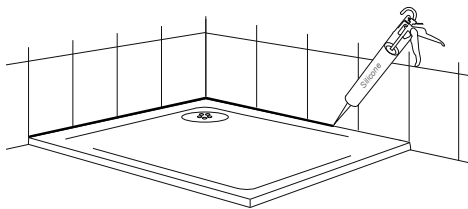
Note! The shower tray and all connections MUST now be checked for water tightness, flow and adequate drainage over the entire area.

DO NOT PROCEED IF NOT SATISFIED.

Floor Level Installation for Suspended Floors

Installation – *Suspended Floor*

13



After all checks and adjustments, tile and then seal along the tiling line with silicone sealant. If necessary use a proprietary silicone cleaning solvent prior to application.

Troubleshooting

Q What is a suitable contact adhesive?

A Contact your local DIY retailer and request an adhesive intended for sticking ABS (the plastic base of shower tray) to wood / concrete as applicable.

Q The waste outlet in the shower tray is directly over an obstruction at floor level.

A Consider raising the tray by switching to a universal panel and Easy Plumb Kit (Option 3 – with wood), or re-locating the shower tray.

Q There is water retaining on the surfaces of the tray.

A Check that the shower tray is level (top rims) as it is normal for small amounts of localized water to be retained.

Q The shower tray will not fit the space available.

A Consider recessing the edge of the tray into adjoining walls or using a smaller shower tray and enclosure.

Q Water will not flow fast enough down the waste outlet.

A Check that the waste unit is correctly installed using the supplied replacement seal **1** and that the flexi waste pipe **2** has sufficient angle and is not kinked or sagging causing an air blockage.

Q The enclosure will not fit on the shower tray.

A Check that the available surface on top of the tray is compatible with the size, shape and adjustment range of your enclosure, change enclosure if required.

Q Water escapes from a fitted walk-in or frameless enclosure.

A It is normal for spillage to occur from walk-in or frameless type enclosures, consider changing to a fully framed enclosure.

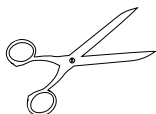
Q Could I have a carpet on the floor in the bathroom?

A It is advised that you use only safety vinyl or tiled flooring in the bathroom area

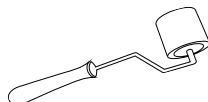
Flexi Seal Strip (not supplied with shower tray)

This product is intended as a flexible tiling upstand and should be fitted to the side of the tray adjacent the walls only.

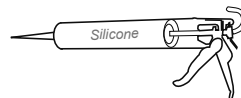
Tools and Materials Required (not supplied)



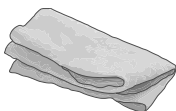
Scissors



Small Roller



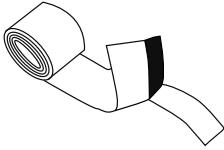
Silicone Sealant



Damp Cloth

Installation – Flexi Seal Strip

1

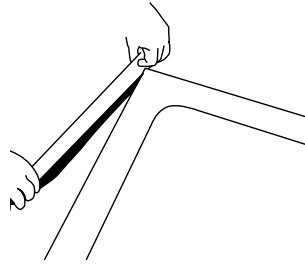


Wipe the surfaces clean where the strip will be attached first with a clean damp cloth, allow to dry and then wipe with the IPA wipe supplied in the kit.

Determine the length of strip required to seal around the shower tray and cut to length with scissors. (Ensure you cut at least 20mm longer than needed).

Peel back approximately 20cm of backing from the adhesive strip.

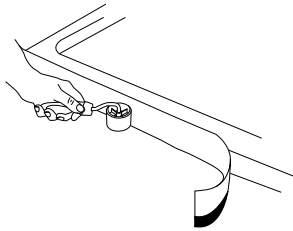
2



Attach to the edge of the shower tray so that it is square and the edge protrudes at least 20mm above the edge of the tray.

Make sure the adhesive strip is positioned so that it will not come into contact with any silicone sealer used later.

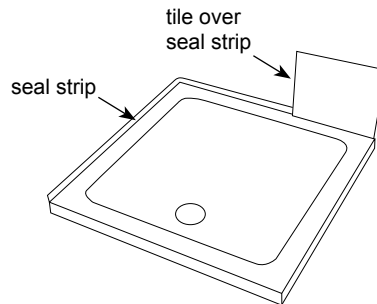
3



Using a small roller or other appropriate tool roll the seal strip so that it attaches firmly to the edge of the tray removing any bubbles or creases, paying particular attention to the corners.

Gradually remove the cover strip in sections and roll on the seal so it attaches firmly and square to the edge of the tray, making sure there are no gaps between tray and seal strip. Trim off any excess strip.

4



Install the shower tray in the correct position and tile in front of the seal strip.

Put a protective bead of silicone or other suitable flexible sealant between the tray and the tile, ensuring it does not come into contact with the adhesive material on the flexi seal strip.

Product supplied by the MX Group and/or its subsidiaries
Technical Service Line: **0845 505 2211 / 01684 293311** Open Mon–Fri 9am–5pm