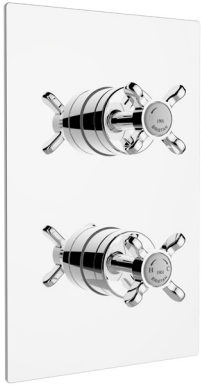


# N2 SHCVO C

## 1901 Shower Range 1901 Recessed Thermostatic Dual Control Shower Valve Chrome



### Features:

- 15mm inlet connections
- This shower valve has been designed to fit in any UK wall cavity and therefore only needs a 35mm deep cavity space
- Fitting depth including plasterboard and tiles is 45mm - 75mm
- Minimum cold water supply temperature is 4°C
- Maximum hot water supply temperature is 80°C

### Product Certifications:



WRAS Cert. Number: 1910908  
WRAS Expiry Date: 31/10/2024



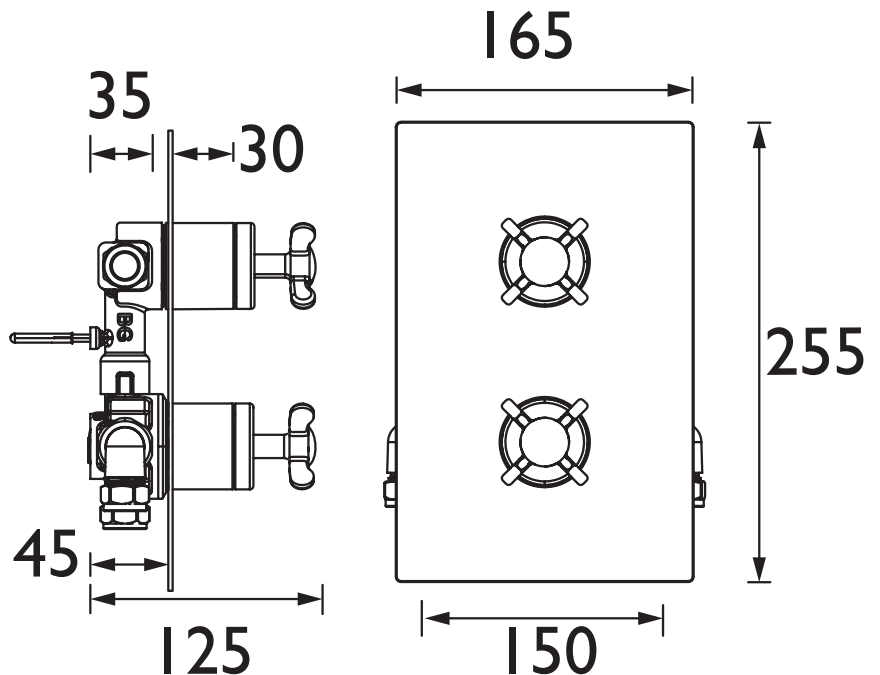
For more products, visit our website:  
<http://www.bristan.com>



### Specification

|                                     |                                   |
|-------------------------------------|-----------------------------------|
| Product Type:                       | Mixer Shower                      |
| Main Construction Material:         | Brass                             |
| Connection Inlet:                   | 15mm Compression                  |
| Connection Outlet:                  | 15mm Compression                  |
| No of Controls:                     | 2                                 |
| Flow Control Valve Type:            | ¾" Quarter Turn Ceramic Disc      |
| Plumbing System:                    | Suitable for all plumbing systems |
| Minimum Dynamic Pressure: (Bar)     | 0.2 Bar                           |
| Maximum Dynamic Pressure: (Bar)     | 5.0 Bar                           |
| Maximum Static Pressure: (Bar)      | 10                                |
| Maximum Hot Water Temperature: (°C) | 80                                |
| Pre-set Outlet Temperature: (°C)    | 42                                |
| Isolation Valve Included:           | No                                |
| Check Valve Included:               | Yes                               |
| Shower Kit:                         | Valve Only                        |

### Dimensions (measurements in mm)



### Flow Rates (l/min)

| System Pressure (bar)     | 0.2 | 0.5  | 1    | 2    | 3    | 5    |
|---------------------------|-----|------|------|------|------|------|
| Outlet 1                  | 7.3 | 13.7 | 20.5 | 29.3 | 36.3 | 47.5 |
| Outlet 1 (Flow Regulator) | 5.2 | 8.2  | 10.6 | 10.7 | 11.4 | 12.4 |
| Outlet 2                  | 9.3 | 18   | 26.7 | 38.7 | 47.9 | 61.7 |
| Outlet 2 (Flow Regulator) | 4   | 7.2  | 9    | 9.8  | 10.7 | 10   |

TECHNICAL  
DATA  
SHEET



**BRISTAN**