

PS2 BAS C

PISA Tap Range Pisa 2 Basin Mixer With Clicker Waste Chrome



Features:

- Chrome Plated to BS EN 248

Product Certifications:



WRAS Certificate Number: 1711003
WRAS Expiry date: 30/11/2022



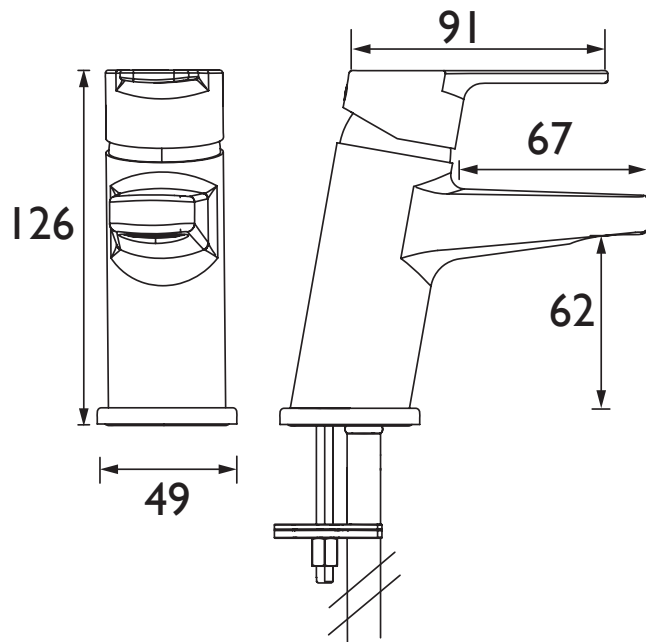
For more products, visit our website:
<http://www.bristan.com>



Specification

Style:	Contemporary
Product Type:	Bathroom Taps
Finish/Colour:	Chrome
Main Construction Material:	Brass
Mount Type:	Deck
Handle Type:	Lever
Connection Inlet:	1/2" BSP
Number of Tap Holes:	1
Valve/Cartridge Type:	Cartridge
Plumbing System Requirements:	All, preferably balanced
Working Pressure Range:	Min 0.3 bar, Max 5.0 bar
Maximum Hot Water Temperature: °C	80
Maximum Dynamic Pressure: (bar)	5
Maximum Static Pressure: (bar)	Max 10.0 bar
Flow Type:	Single
Flow Rate: (l/min @ 3 bar)	17
Isolation Included:	No

Dimensions (measurements in mm)



Flow Rates (l/min)

System Pressure (bar)	0.3	0.5	1	2	3	5
PS2 BAS C (Mixed)	3.8	5.4	8.7	13.4	17	22.9

TECHNICAL DATA SHEET



BRISTAN

TAPS & SHOWERS

D2