

PURE C/C PAN, SEAT & CISTERN



ILLUSTRATION: PURE C/C PAN

CODE: C/C WC PAN - POT263PU
 C/C CISTERN - POT450SE
 SOFT CLOSE SEAT - POT265PU

COLOUR: WHITE

WEIGHT:	WC PAN	CISTERN	SEAT
NET:	25.5 KG	11 KG	1.8 KG
GROSS:	26.5 KG	12 KG	2.1 KG

STANDARDS: BS EN 997 WCs

BS EN 14055:2010 FLUSHING CISTERNS

BS 3402

CE	CE
15 EN 997:2012 WC Made of Ceramic	15 EN 14055:2010 Cistern Made of Ceramic

NOTES:

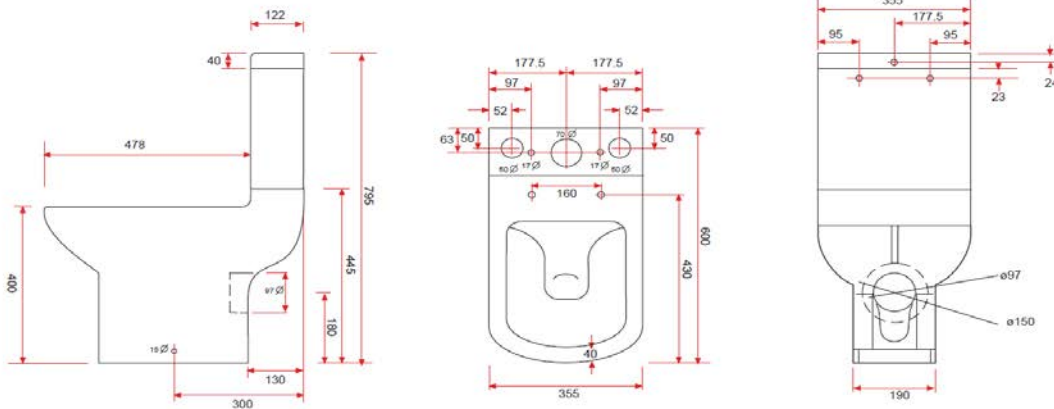
VITREOUS CHINA

SHORT PROJECTION

WATER SAVING 6/4 LITRE FLUSH

SOFT CLOSE SEAT WITH QUICK RELEASE TOP FIX HINGE

Pure
 Close Coupled WC Pan
 Close Coupled Cistern Incl Fittings



All dimensions in mm

Scale 1:10

BOX SIZES :- WC PAN = 370 X 450 X 630 mm / CISTERN = 145 X 370 X 390 mm

PURE BTW PAN & SEAT

ILLUSTRATION: PURE BTW PAN

CODE: BTW PAN - POT266PU
SOFT CLOSE SEAT - POT265PU

COLOUR: WHITE



WEIGHT: WC PAN SEAT

NET: 23 KG 1.8 KG

GROSS: 24 KG 2.1 KG

STANDARDS: BS EN 997 WCs
BS 3402

NOTES:

VITREOUS CHINA

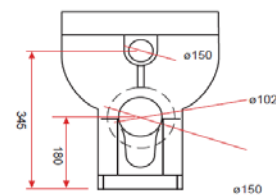
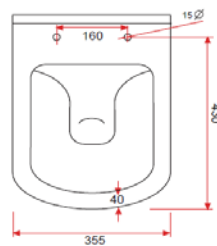
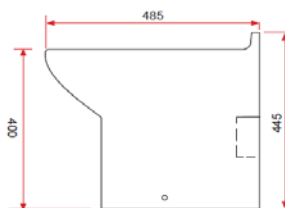
WATER SAVING 6/4 LITRE FLUSH

SOFT

CLOSE SEAT WITH QUICK RELEASE TOP FIX HINGE

Pure

Back to Wall WC Pan



All dimensions in mm

Scale 1:10

BOX SIZES :- WC PAN = 380 X 500 X 480 mm