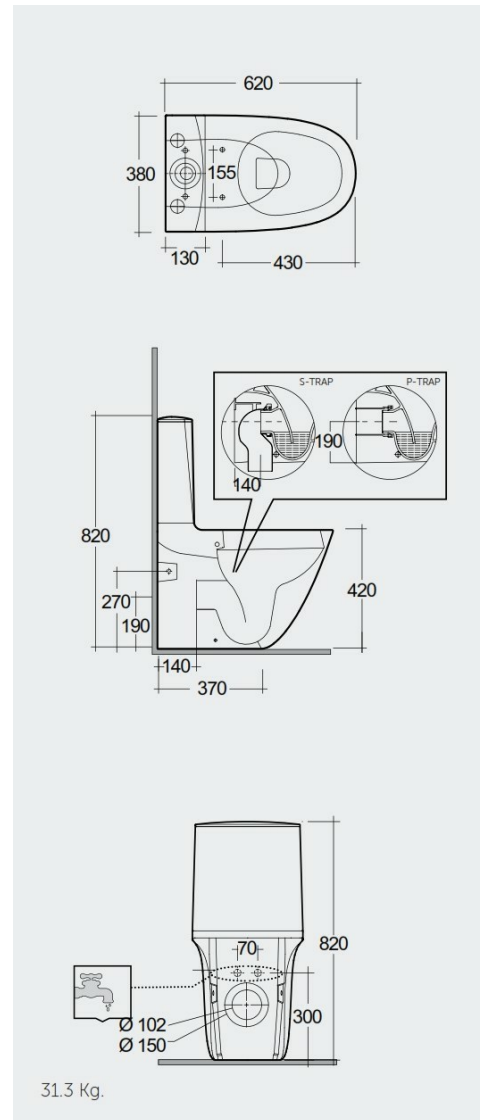


RAK-SENSATION

Close Coupled | Water Closet

RAK
CERAMICS



Technical specifications

Dimensions:	620 x 380 mm
Weight:	31 Kg
Color:	Alpine White
Trap type:	P Trap & S Trap
Trapway type:	Concealed
Seat cover options:	Urea
Bowl shape:	Oval
Flush Type:	Dual Flush
Suites:	RAK-SENSATION

Code	Name
SENWT1800AWHA	RAK-Sensation Water Tank with bottom inlet
SENWC1146AWHA	SENSATION WATER CLOSET BACK TO WALL P S-TRAP 62CM

Dimensions: All dimensions in mm. Tolerance of vitreous china & fireclay items: $\pm 5\%$ for below 200mm and $\pm 3\%$ for above 200mm; for all other items tolerance $\pm 1\%$. Note: Due to a continuing development program to improve design and performance, the manufacturer reserves all rights to vary specifications without prior information. Please note accessories are for photographic use only.