

Pivot Door

ASSEMBLY GUIDE

IMPORTANT

- 1.. The cubicle can be constructed either way up, for left or right hand opening.
- 2.. These instruction and list of parts assume that installation is done against solid or tiled walls. Hollow or "Stud - partition" walls will require alternate fixings. Please consult a hardware supplier for the correct type. It may also be necessary to consult your tiling supplier about the correct method for drilling your tiles.
- 3.. Please check this product for damage prior to starting the installation. No claims can be made after the products has been fitted, or after fitting has commenced.
- 4.. This is a 2 person installation.
- 5.. Please note the minimum and maximum adjustment for this product are based on perfectly plumb walls.

Tools Required *Please note hand tools **NOT** supplied.*



Drill



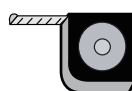
7mm Masonry Drill
3.2mm HSS Drill



Spirit Level



Pencil



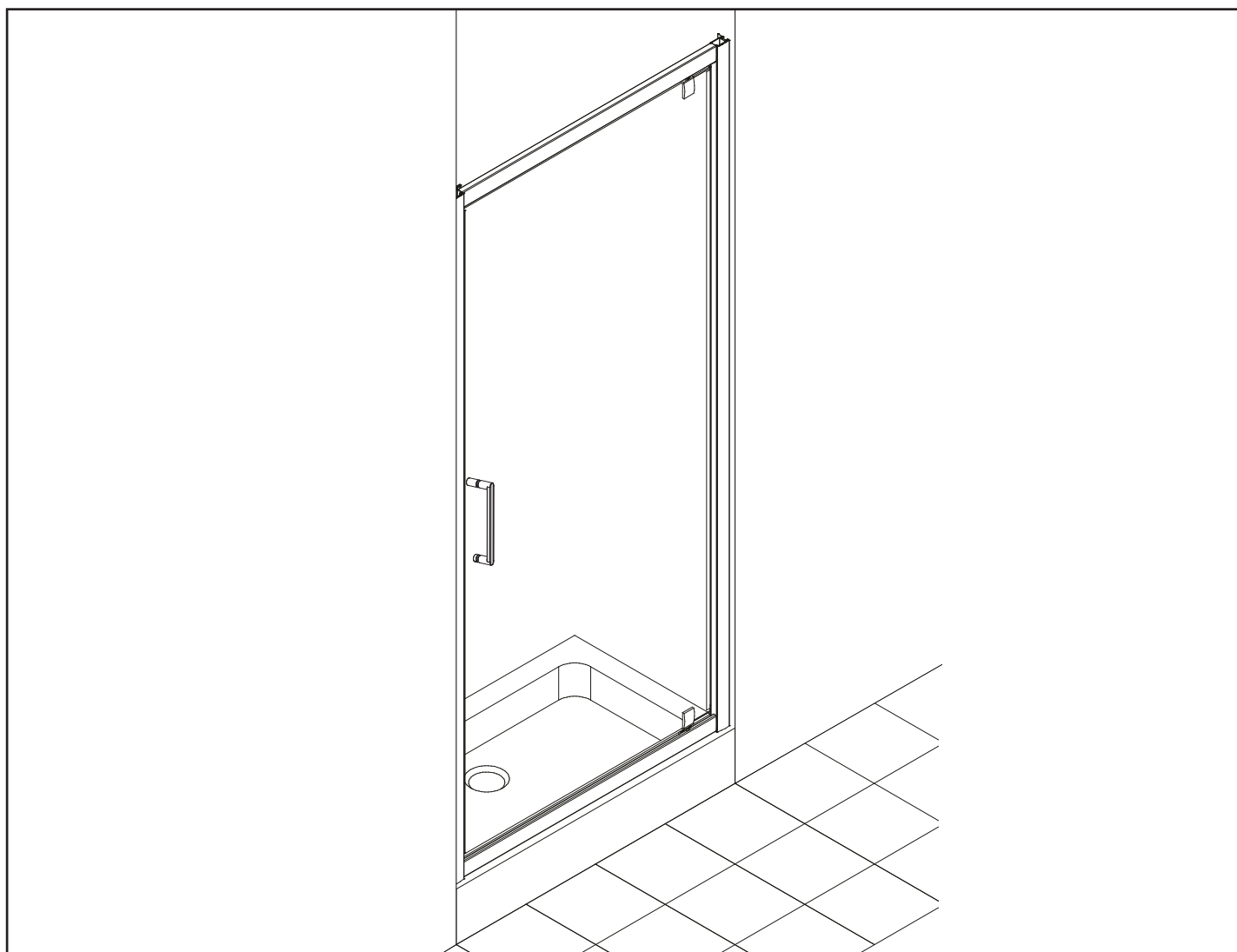
Tape Measure



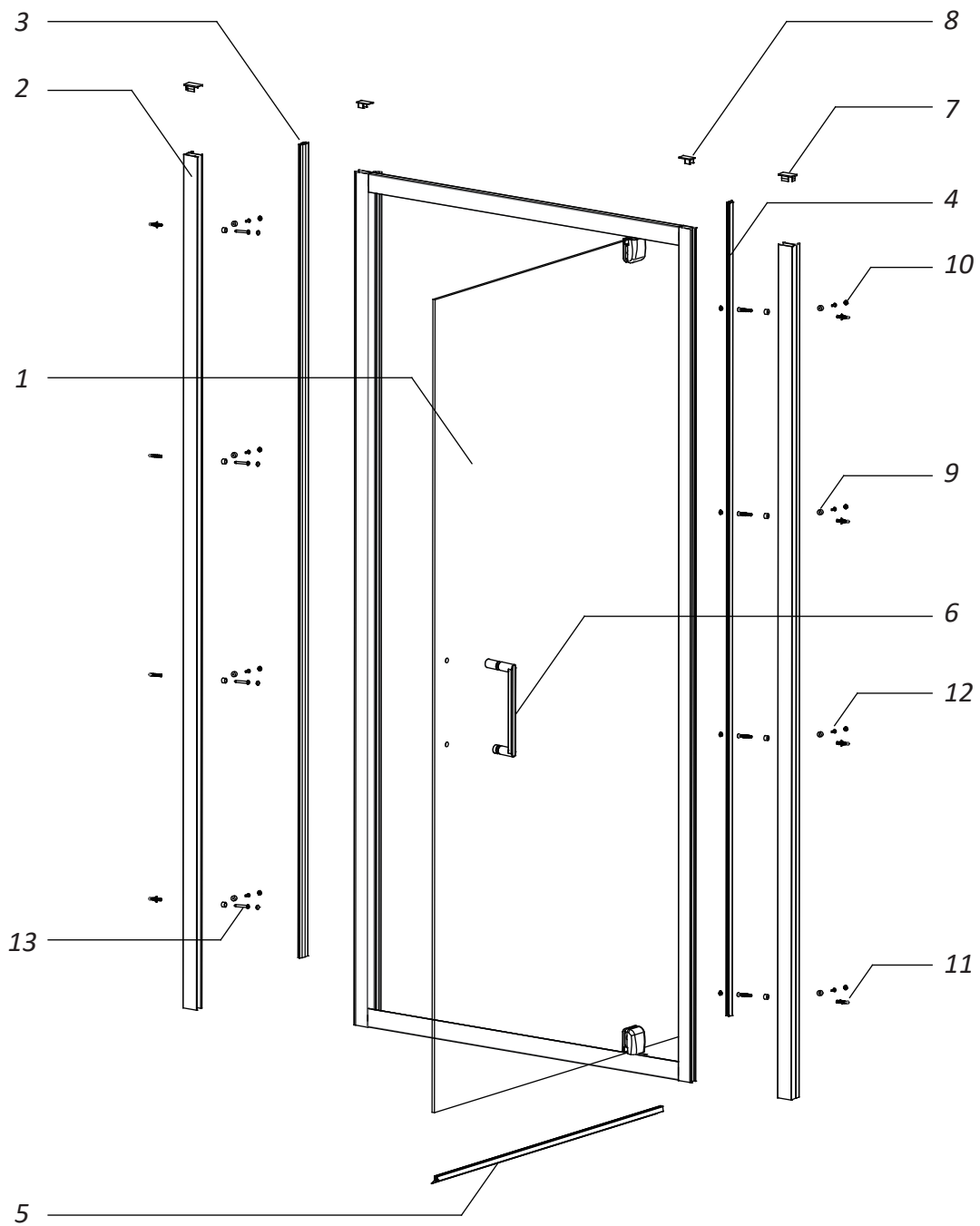
PH2 TYPE
Screwdriver



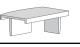


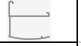









Sealant Gun



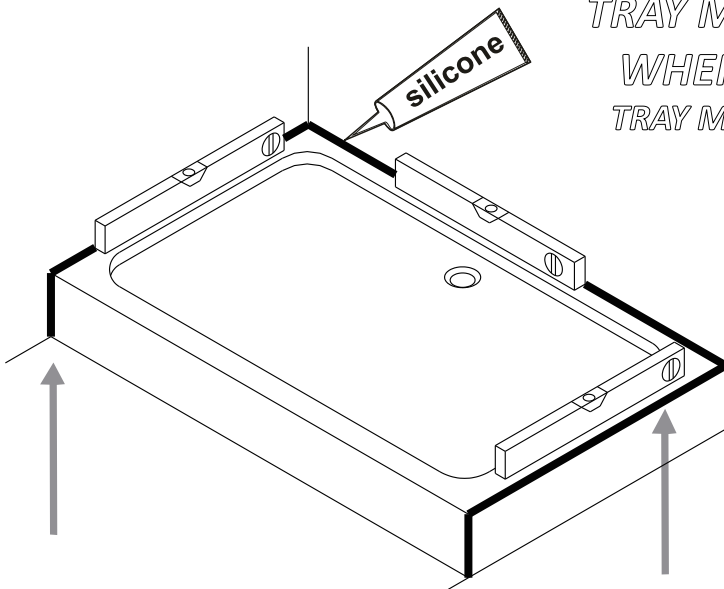
EXPLODED VIEW AND PARTS LIST



Part List

SN	CODE	Description	Qty	Image	7	S1PS04	Wall channel Cap - LH/RH	2	
1	N/M	Door Panel	1		8	S1PS05	Upright Profile Cap	2	
2	ALU8654	Wall channel	2		9	S1PS07	Screw Cup	16	
3	308GD-6	Magnet Strip	1		10	S1PS08	Screw Cap	16	
4	309B-6-10	Upright Seal	1		11	SBLTL001	Wall Plug	8	
5	305B-6-10	Bottom Seal	1		12	SBLTL003	ST3.5x12 Tapping Screw	8	
6	S1HW27	182 Handle	1		13	SBLTL013	ST4.0x30 Tapping Screw	8	

*TRAY MUST BE SEALED FULLY AROUND
WHERE THE TRAY MEETS THE WALL
TRAY MUST BE 100% LEVEL IN ALL DIRECTIONS*



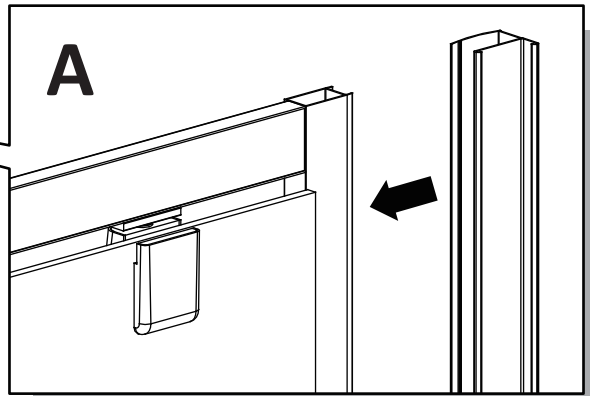
**TRAY MUST BE 100% LEVEL IN ALL DIRECTIONS
TRAY MUST BE SEALED FULLY AROUND WHERE
THE TRAY MEETS THE WALL**

Ensure the shower tray is level in all directions and is properly sealed to the wall. The wall must be tiled down to the top edge of the tray. Do not angle out bottom tile.



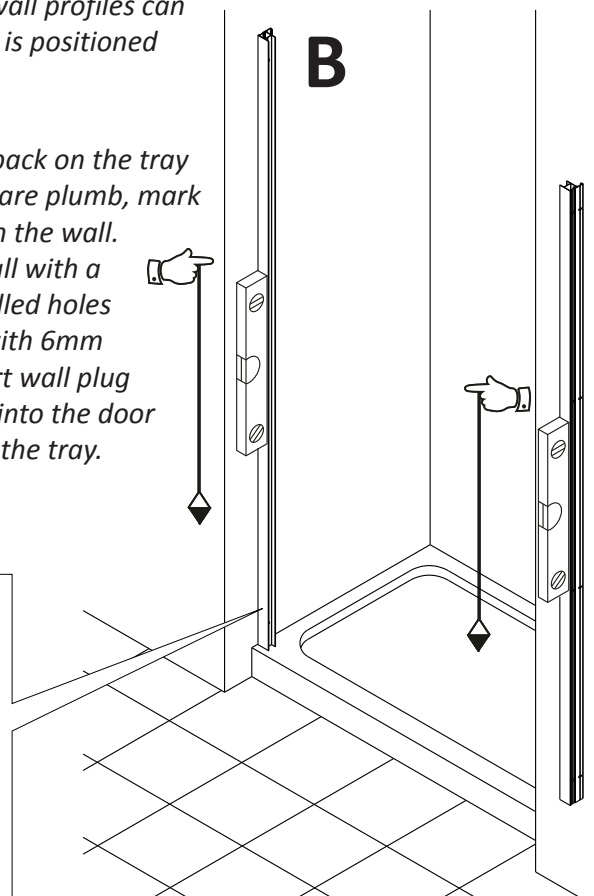
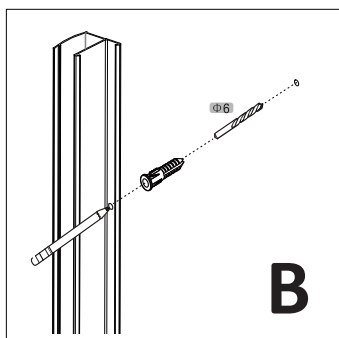
Step A

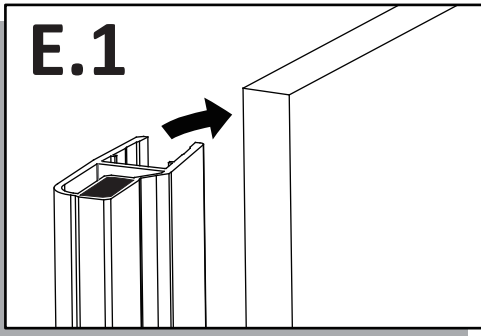
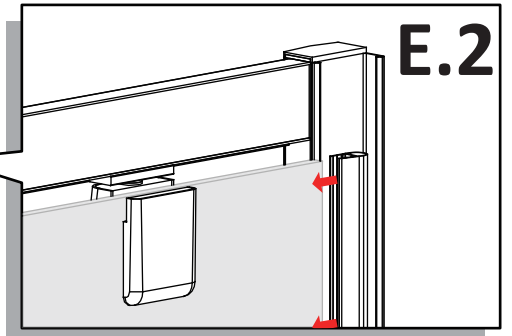
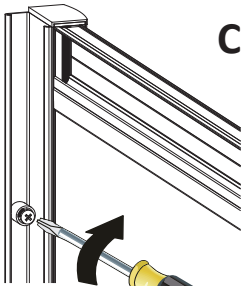
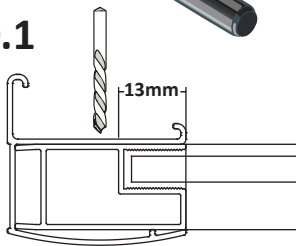
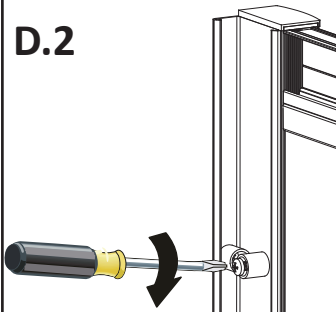
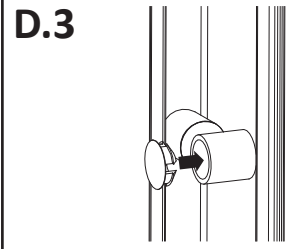
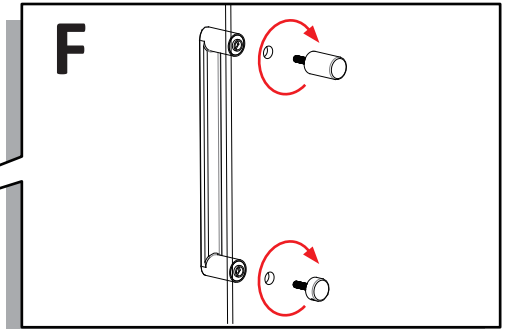
Position the assembled door panel (with wall profile fully pushed into frame) onto the tray and decide on the step in from the edge of the tray to wall profiles. The wall profiles can be adjusted until door is positioned correctly on the tray.



Step B

*Position the wall profiles back on the tray ensuring the wall profiles are plumb, mark the position of the holes in the wall. Do this by marking the wall with a pencil through the pre-drilled holes in the wall profiles. Drill with 6mm masonry drill bit and insert wall plug **S1PS12**. Slot wall profiles into the door frame, then lift door onto the tray.*



E.1**E.2****C****D.1****D.2****D.3****F****Step C**

Fix the wall channel with screw cover cup **S1PS08** and screw **S1SW02** to wall. The door should open and close freely. If it does not you need to tilt the door to ensure a un-obstructed operation. When the door is positioned correctly, continue to **Step D**.

Step D

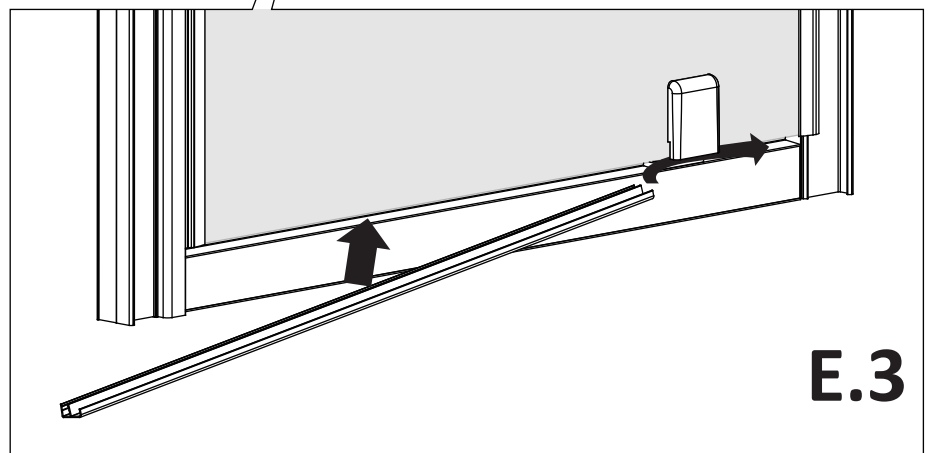
Drill 4 equally spaced holes with 3mm drill bit through the wall channel and frame. Fix the frame to the wall channel with screw cover cup **S1PS08** and screw **S1SW03**. Then put the screw cover cap **S1PS07** on.

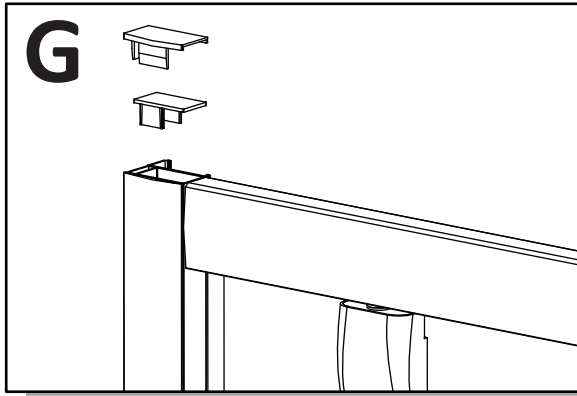
Step E

Attach the magnetic strip **308GD-6** to the front of the moving panel. Adjust the magnetic strip to ensure there is no gaps when the door is closed. Attach the vertical seal **309B-6-10** to the hinge end of moving panel. Insert the bottom seal **305B-6-10** to the bottom of the door panel as figure **E.3** shown.

Step F

Assemble the handle **S1WH27** onto moving panel.

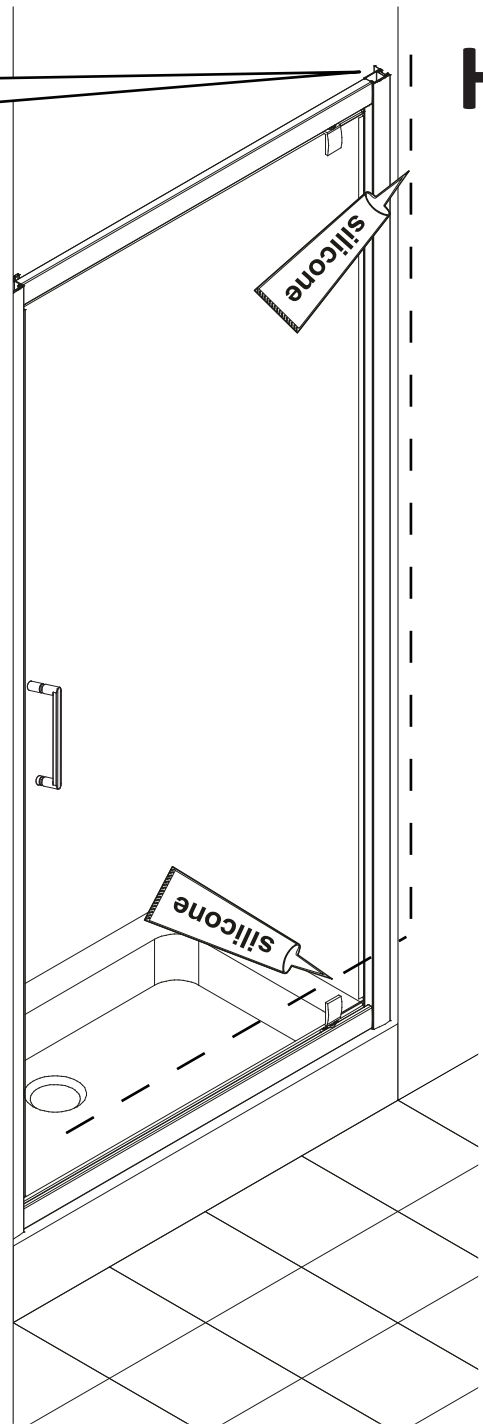
**E.3**



H

Step G

Put the upright profile cap S1PS06 and wall channel cap S1PS04L/R on.



24 HRS



DO NOT USE THE ENCLOSURE FOR 24 HOURS AFTER SEALING



Step H

Applying Silicone Sealant And Cleaning

Seal from the top of the wall channel to the bottom on the **INSIDE** and **Outside** between the wall channel and the wall, and between the bottom profile and shower tray as shown. Wash down with clean warm water and a soft clean cloth or sponge. Please do not use bleach, alkaline or acid-based, aggressive or abrasive cleaning products.