

Bath Screen

ASSEMBLY GUIDE

IMPORTANT

- 1.. The screen can be constructed either way up, for left or right hand opening.
- 2.. These instruction and list of parts assume that installation is done against solid or tiled walls. Hollow or "Stud - partition" walls will require alternate fixings. Please consult a hardware supplier for the correct type. It may also be necessary to consult your tiling supplier about the correct method for drilling your tiles.
- 3.. Please check this product for damage prior to starting the installation. No claims can be made after the products has been fitted, or after fitting has commenced.
- 4.. Please note the minimum and maximum adjustment for this product are based on perfectly plumb walls.

Tools Required *Please note hand tools **NOT** supplied.*



Drill



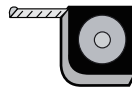
7mm Masonry Drill
3.2mm HSS Drill



Spirit Level



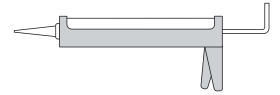
Pencil



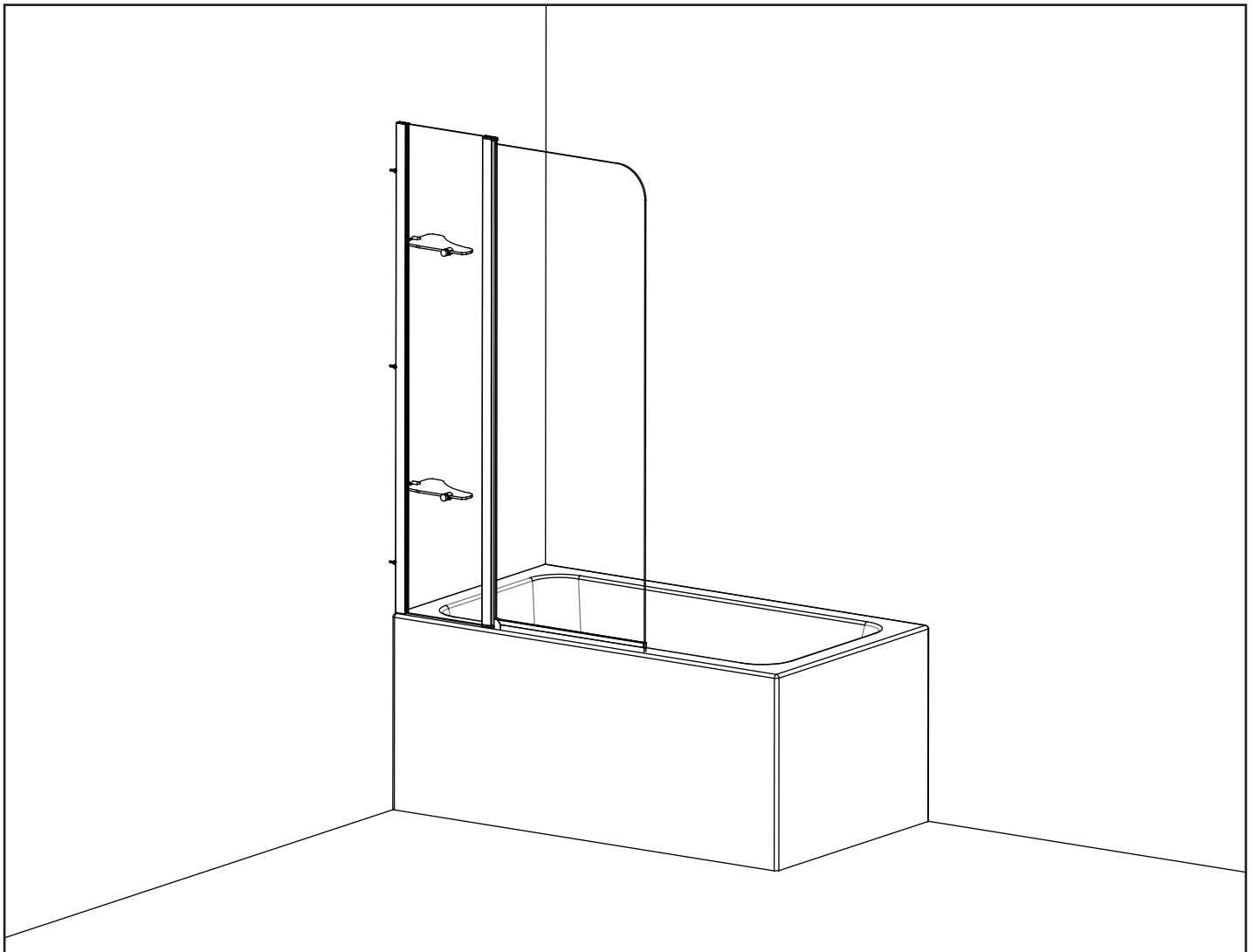
Tape Measure



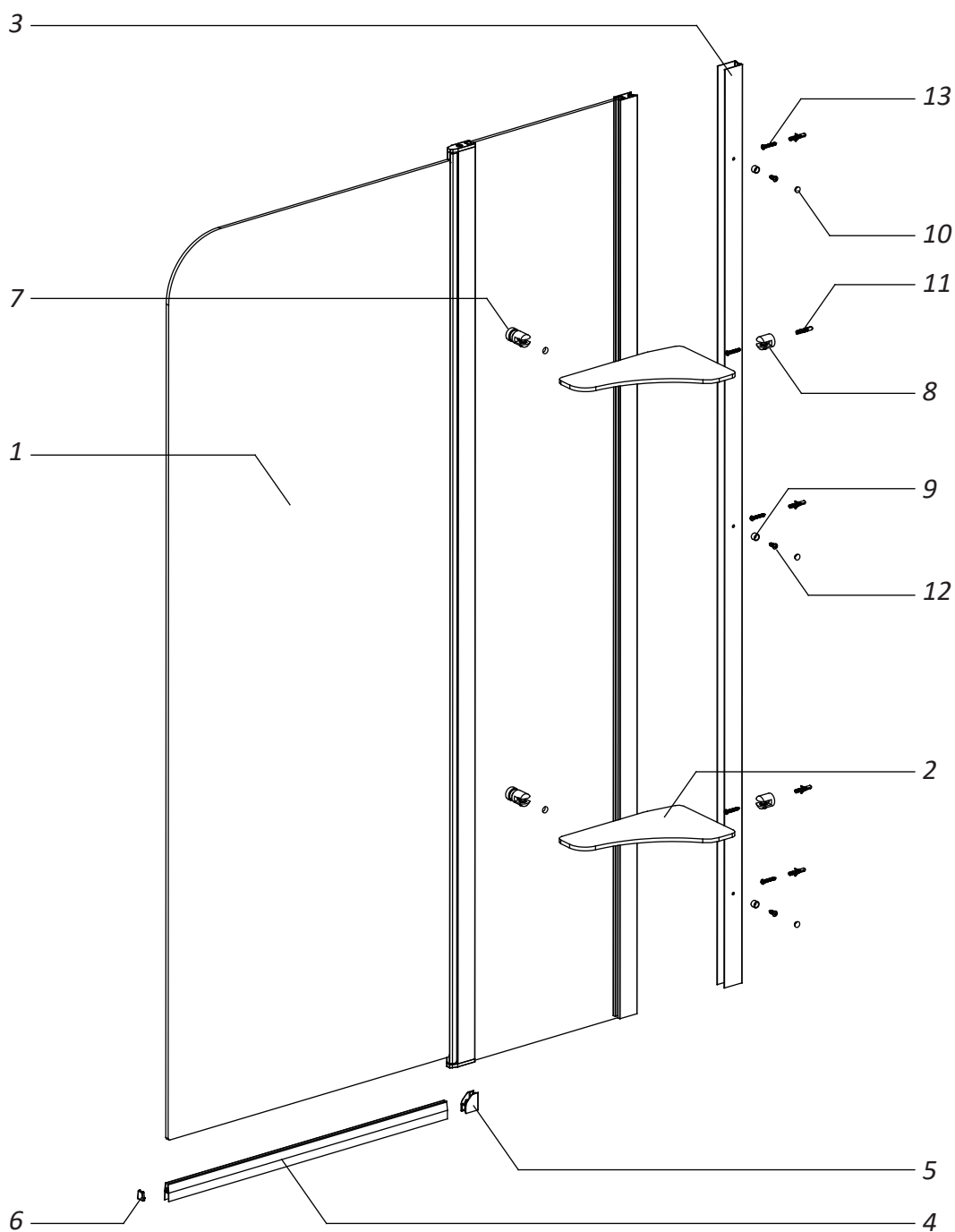
PH2 TYPE
Screwdriver



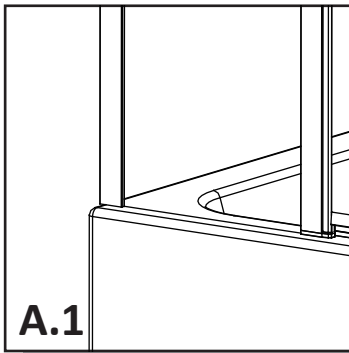
Sealant Gun



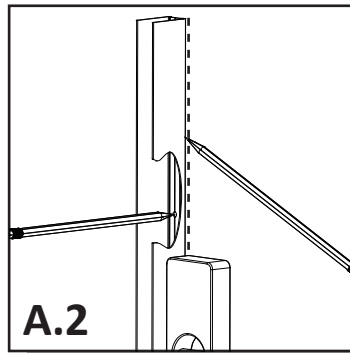
EXPLODED VIEW AND PARTS LIST



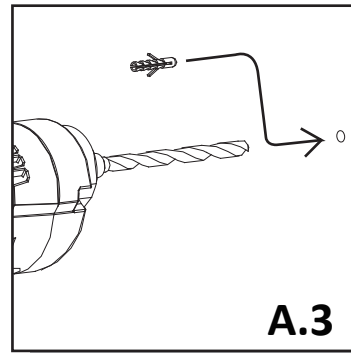
SN	CODE	Description	Qty	Image	7	S1HW66	Glass Shelf Fixing A	2	
1	N/M	Glass Panel	1		8	S1HW67	Glass Shelf Fixing B	2	
2	S-GS-SHELF	Glass Shelf	2		9	S1PS07	Screw Cup	3	
3	ALU13490	Wall channel	1		10	S1PS08	Screw Cap	3	
4	SL205&206	Bottom Seal Set	1		11	SBLTL001	Wall Plug	3	
5	S1PS32	Seal Back Cap	1		12	SBLTL003	ST3.5x12 Tapping Screw	3	
6	S1PS33	Seal Front Cap	1		13	SBLTL013	ST4.0x30 Tapping Screw	3	



A.1



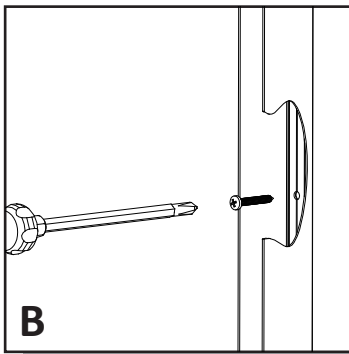
A.2



A.3

Step A

Place the glass screen onto the bath shoulder as **A.1** shown, Although it may look more attractive to place the glass screen in the middle of the bath shoulder it may lead to some small amounts of water leaving the bath. It is best to place the screen above the inside edge of the bath. Place the wall channel **ALU13489** onto the wall. After ensuring it is plumb mark the position of the holes on the wall. Do this by marking the wall with a pencil through the pre-drilled holes in the wall channel. It is advisable to place some masking tape or similar onto the tiles before marking and drilling the holes. Not only will this allow you to mark the position of the holes more clearly, but it will stop the drill bit from slipping on the tiles causing you to drill off target. Drill 3 holes with a 6mm masonry drill bit and insert wall plugs **SBLTL001**. Plugs provided are for standard plasterboard walls, we advise you seek professional help to ensure you are using the correct wall fixings for your wall.



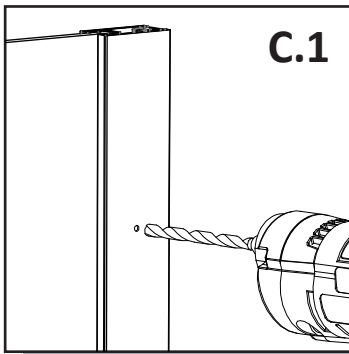
B

Step B

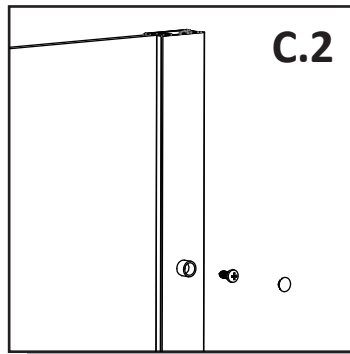
Fix the wall profile to the wall with screws **SBLTL013**.

Step C

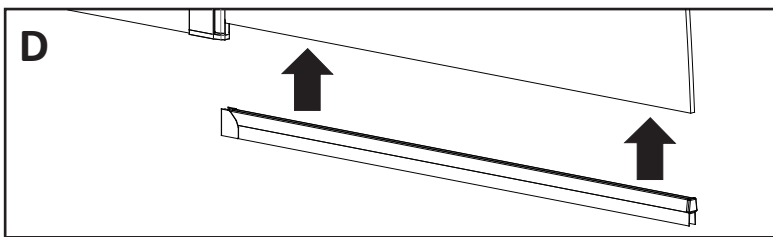
Drill 3 equally spaced holes with a 3mm drill bit through the wall channel and the bath screen vertical aluminium profile. Now fix the bath screen vertical profile using screws **SBLTL003**. Ensure you use the screw cover cups **S1PS07** at this stage. Now finish by pushing the screw cover caps **S1PS08** onto the cups to hide the screw heads.



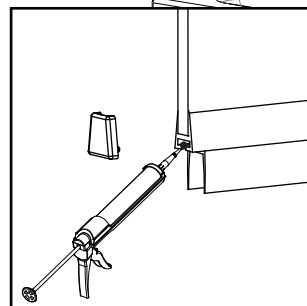
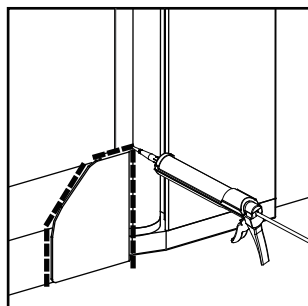
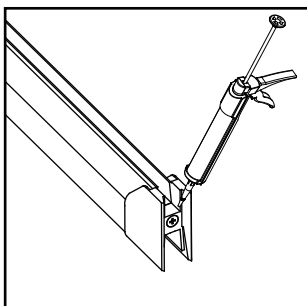
C.1



C.2



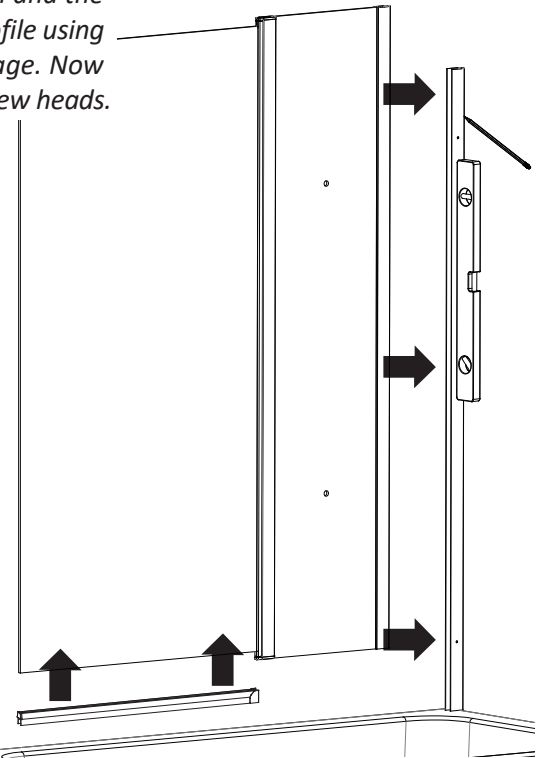
D

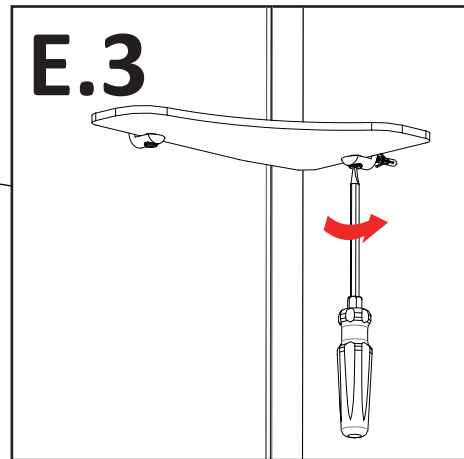
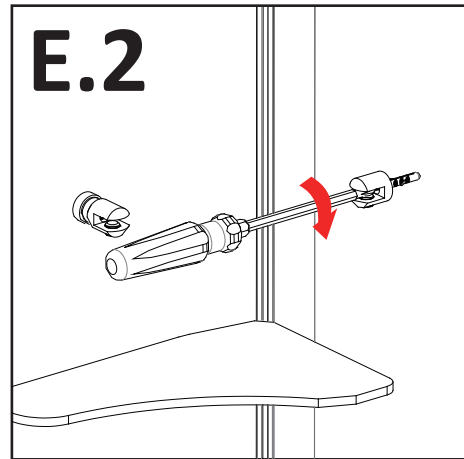
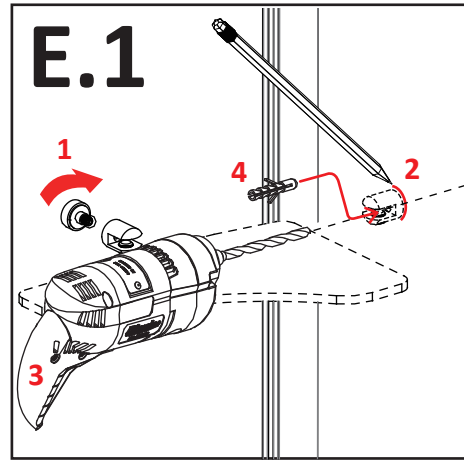
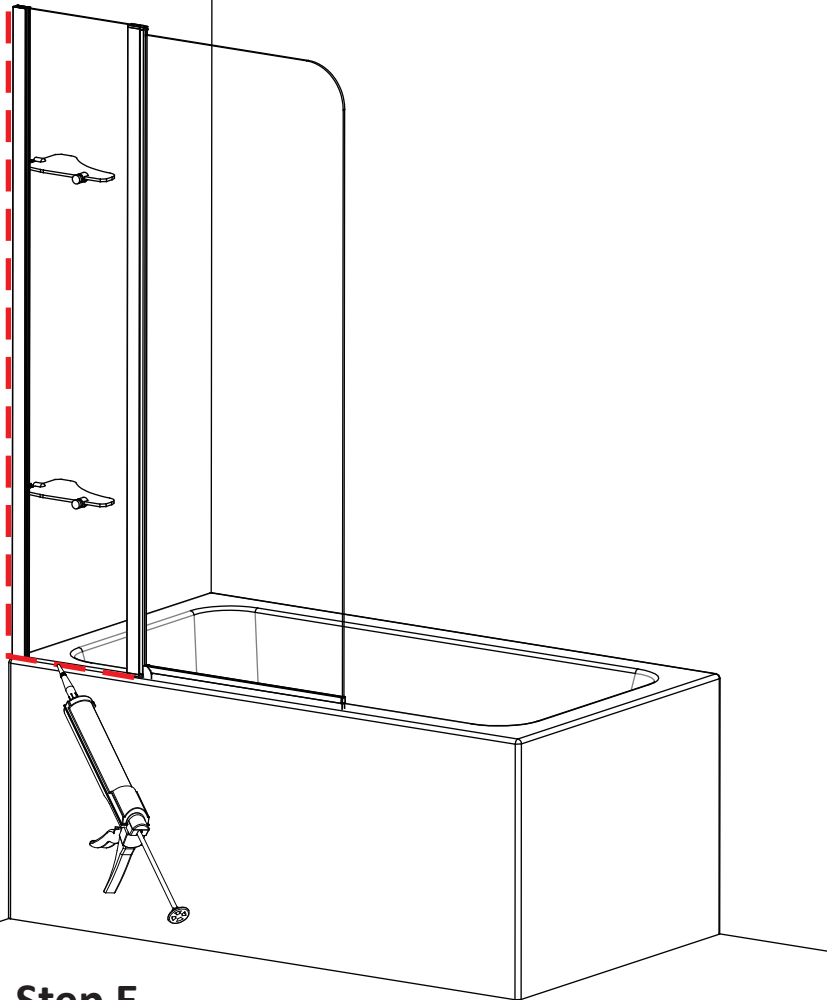


Step D

Put the bottom seal **SL205&6-5** on the bottom of the screen.

Note: The bottom seals may require trimming. For added water retention you may choose to apply silicone sealant to the areas indicated in the attached images. However in the vast majority of installations this is not necessary.





Step E

Fixed the **Glass Shelf Fixing A (S1HW66)** on the fixing glass, then place the **Glass Shelf (S-GS-SHELF)** and **Glass Shelf Fixing B (S1HW67)** on, move the **Fixing B** to the suitable position then mark that using a pencil. Remove the **Glass Shelf** and the **Fixing B** then drill with 8mm masonry drill bit and insert the **Wall Plug (SBLTL048)**. Place the **Glass Shelf Fixing B (S1HW67)** again and fix that using the screw **ST4x30 (SBLTL013)**. Replace the **Glass Shelf** on and fix the screws using the straight screwdriver as **E.3** shown.

24 HRS



DO NOT USE THE ENCLOSURE FOR 24 HOURS AFTER SEALING



Step F

Applying Silicone Sealant And Cleaning

Seal from the top of the wall channel to the bottom on the **INSIDE** and **Outside** between the wall channel and the wall, and between the bottom profile and shower tray as shown. Wash down with clean warm water and a soft clean cloth or sponge. Please do not use bleach, alkaline or acid-based, aggressive or abrasive cleaning products.