

EXTERNALLY SILICONE SEAL THE WALL PROFILES WHERE THEY MEET THE WALL AND THE BOTTOM PROFILE WHERE IT MEETS THE TRAY. ALL IN A CONTINUOUS BEAD.

ALSO SILICONE SEAL THE PLASTIC MOULDINGS AND 150mm HIGH AS SHOWN IN THE DETAILED VIEW BELOW.

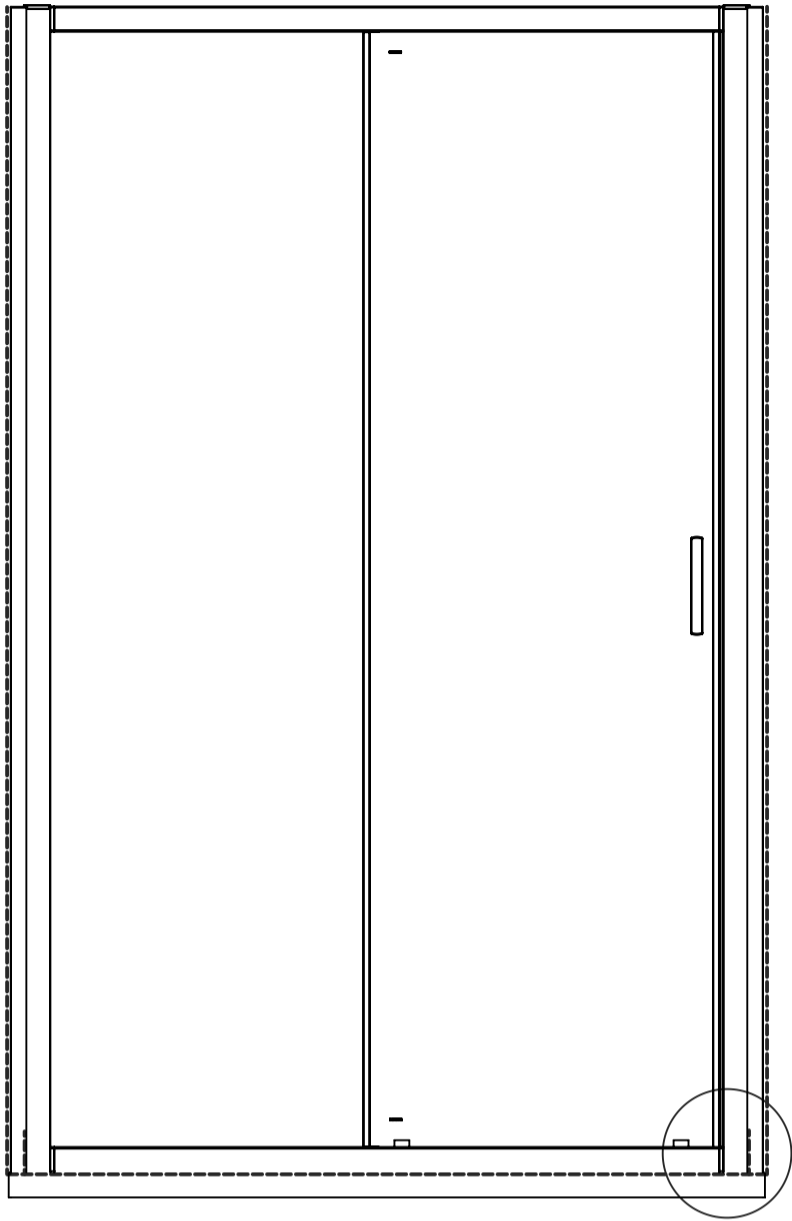
DO NOT SILICONE INSIDE THE ENCLOSURE.

ALLOW THE SILICONE 24 HOURS TO FULLY CURE.

AFTERCARE - ENSURE YOU CLEAN YOUR PRODUCT USING A MILD DETERGENT DILUTED IN WATER, REMOVING ANY RESIDUE WITH A SOFT DAMP CLOTH.

MAINTENANCE - ENSURE MOVING PARTS ARE FREE FROM ANY DEBRIS OR SOAP BUILD UP.

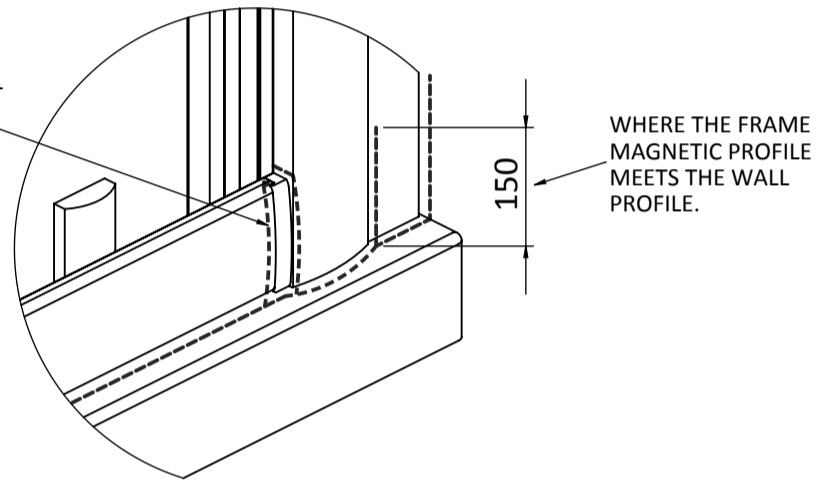
SHOWER ENCLOSURE WITH WHEELS - THE WHEELS MUST ROTATE FREELY AND THE SPRING LOADED MECHANISM IN THE BOTTOM WHEELS MUST OPERATE WITHOUT INTERFERENCE.



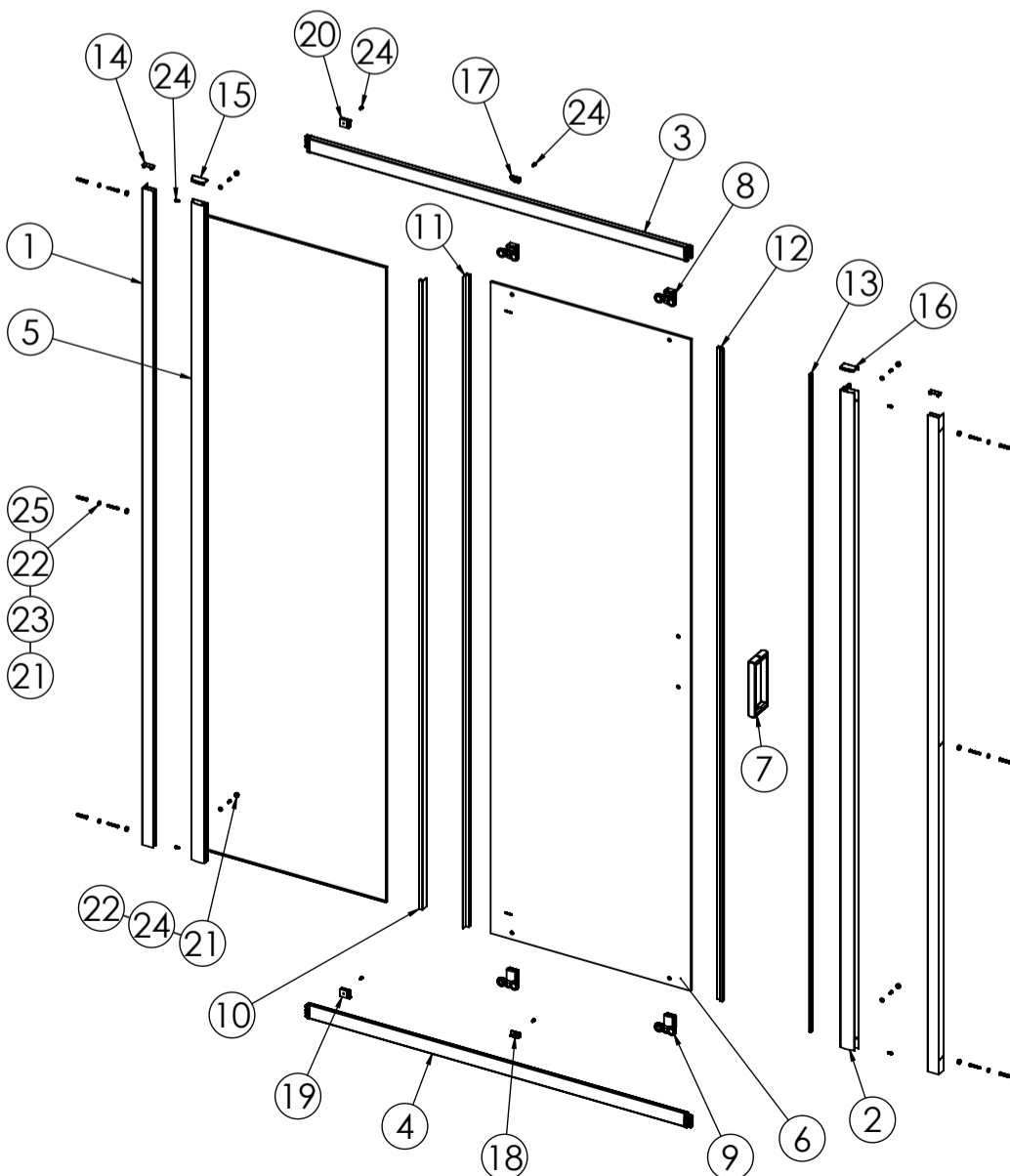
TROUBLE SHOOTING GUIDE

1. IS THE TRAY LEVEL? (SEE STEP 1).
2. ARE THE TOP AND BOTTOM TRACKS FULLY INSERTED AND FLUSH WITH THE GLASS PROFILE AND MAGNETIC PROFILE? (SEE STEP 2).
3. ARE THE RETAINER SCREWS FITTED TO LOCK THE TRACK IN PLACE? (SEE STEP 2).
4. DO THE FINISHED TRAY MEASUREMENTS COMPLY WITH THE ADJUSTMENTS LISTED IN THE PRODUCT SPECIFICATION?
5. WHEN CONSIDERING THE LENGTH OF THE TOP TRACK ALSO CONSIDER THE GLASS PROFILE AND MAGNETIC PROFILE THAT ARE SECURED TO IT WHICH INCREASE ITS LENGTH.
6. ONCE INSTALLED LEAVE THE DOOR IN THE CLOSED POSITION WHEN NOT IN USE AS MAGNET STRENGTH WILL INCREASE OVER THE FIRST WEEK.

SILICONE THE PLASTIC MOULDING WITH AS SMALL A BEAD AS POSSIBLE.



SLIDER EASY FIT ENCLOSURE INSTRUCTION



UNPACK THE BOX AND ENSURE ALL COMPONENTS ARE PRESENT.

NO REFUND OR REFITTING COST WILL BE GIVEN IF INCOMPLETE OR DAMAGED GOODS ARE FITTED.

THE TOUGHENED SAFETY GLASS SHOULD BE HANDLED WITH CARE AS IMPACTS WILL DAMAGE THE GLASS OR ENCLOSURE.

FIT THE SHOWER TRAY AS PER THE MANUFACTURER'S INSTRUCTIONS.

NOTE: IF THE TRAY ISN'T TRUE AND LEVEL, IT MUST BE RECTIFIED BEFORE SILICONING AROUND THE TOP EDGE OF THE TRAY WHERE IT MEETS THE TILES. ALLOW THE SILICONE TO DRY BEFORE FITTING THE ENCLOSURE.

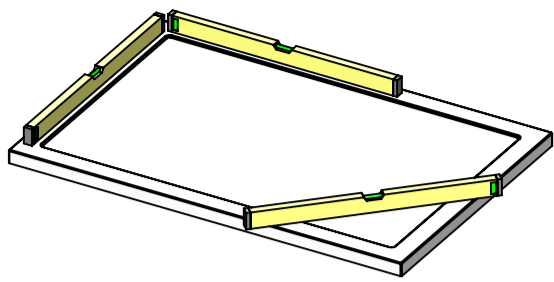
THE ENCLOSURE INSTALLATION IS RECOMMENDED AS A TWO PERSON OPERATION.

TOOLS REQUIRED

POWER DRILL - 3mm DRILL BIT - 6mm MASONRY DRILL BIT - CROSS HEAD SCREW DRIVER - TAPE MEASURE - PENCIL - SILICONE GUN WITH SANITARY GRADE SEALANT - SPIRIT LEVEL - RUBBER HEAD Mallet.

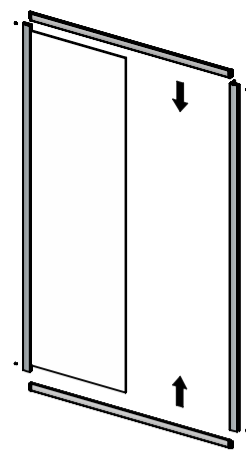
ITEM NO.	DESCRIPTION	Notes	QTY
1	WALL PROFILE		2
2	MAGNETIC PROFILE		1
3	TOP TRACK		1
4	BOTTOM TRACK		1
5	FIXED GLASS PANEL SUB ASSEMBLY		1
6	DOOR GLASS		1
7	HANDLE SUB ASSEMBLY		1
8	TOP ROLLER		2
9	BOTTOM ROLLER		2
10	VERTICAL SEAL (1768mm)	CUT TO LENGTH AS REQUIRED	1
11	VERTICAL SEAL (1833mm)	CUT TO LENGTH AS REQUIRED	1
12	DOOR MAGNET (1833mm)	CUT TO LENGTH AS REQUIRED	1
13	PROFILE MAGNET		1
14	WALL PROFILE CAP		2
15	GLASS PROFILE CAP LH		1
16	GLASS PROFILE CAP RH		1
17	GLASS CLIP LH		1
18	GLASS CLIP RH		1
19	BUMP STOP LH		1
20	BUMP STOP RH		1
21	SCREW CUP COVER		10
22	SCREW CUP		10
23	3.9mm x 40mm PAN HD (SMALL HEAD VERSION) SELF TAPPER ST.STL	FOR FIXING TO WALL	6
24	3.9mm x 10mm PAN HD (SMALL HEAD VERSION) SELF TAPPER ST.STL		12
25	WALL PLUG		6

1



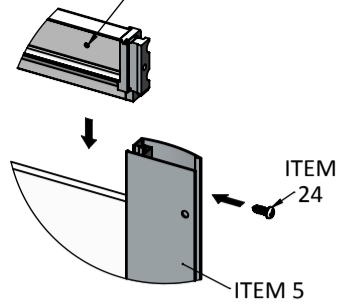
ENSURE THE TRAY IS LEVEL IN ALL PLANES.

2



SLIDE THE TOP & BOTTOM TRACKS INTO THE GLASS PROFILE AND MAGNETIC PROFILE UNTIL FLUSH.

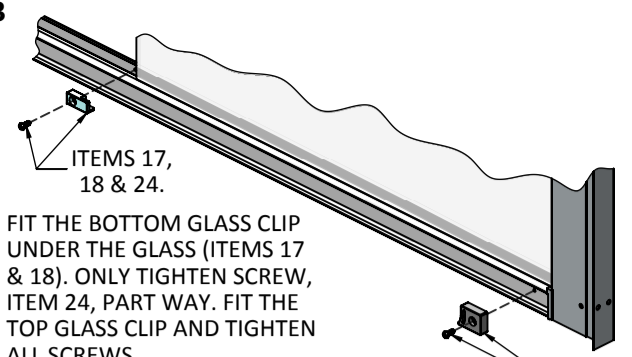
ENSURE BUMP STOP HOLE IN TRACK IS POSITIONED NEXT TO FIXED GLASS PANEL SUB ASSEMBLY GLASS PROFILE (ITEM 5).



ONCE THE TOP & BOTTOM TRACKS ARE IN PLACE USE ITEM 24 TO SECURE THE FRAME TOGETHER. USE A HAND SCREWDRIVER. DO NOT OVERTIGHTEN.

IF INSTALLING WITH A SIDE PANEL PLEASE REFER TO THE SIDE PANEL INSTRUCTION WITHIN THE SIDE PANEL BOX.

3

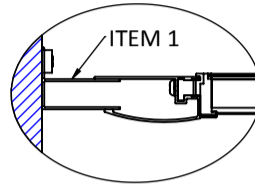


FIT THE BOTTOM GLASS CLIP UNDER THE GLASS (ITEMS 17 & 18). ONLY TIGHTEN SCREW, ITEM 24, PART WAY. FIT THE TOP GLASS CLIP AND TIGHTEN ALL SCREWS.

ALSO FIT THE BUMP STOPS TO THE TOP AND BOTTOM TRACKS; ITEMS 19 & 20.

DO NOT OVERTIGHTEN THE SCREWS. OTHERWISE IT WILL SHOW THROUGH ON THE FRONT FACE OF THE TRACK.

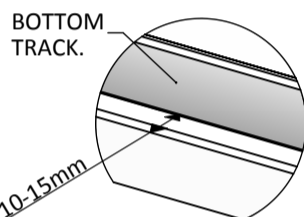
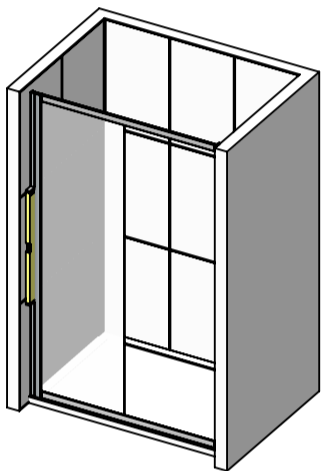
PLEASE NOTE: PARTIALLY INSERT THE WALL PROFILES INTO THE MAGNETIC PROFILE & FIXED GLASS PANEL'S PROFILE. DO NOT PUSH THEM ALL THE WAY IN AS THIS MAY SCRATCH THE PROFILES.



CHOOSE EITHER A RIGHT OR LEFT HAND OPENING, TURN FRAME OVER TO SUIT.

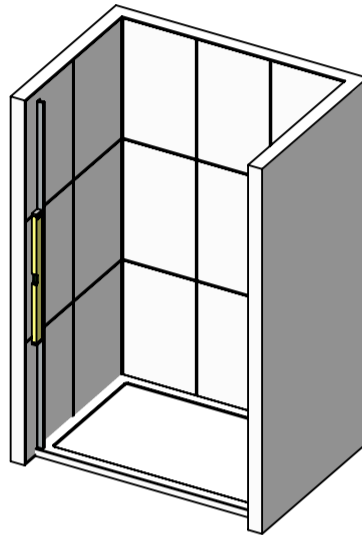
4

IMPORTANT OFFER THE FRAME ONTO THE TRAY FIRST. SET THE FRONT FACE OF THE TRACK BACK FROM THE FRONT FACE OF THE TRAY. MAKE SURE THE WALL PROFILES REACH THE WALL. IF THEY DON'T, CHECK YOUR OPENING IS COMPLIANT WITH THE ADJUSTMENTS LISTED ON THE BOX. ONCE ADJUSTED, MARK BOTH WALL PROFILE POSITIONS WITH A PENCIL AND REMOVE THE FRAME.



10-15mm IS A GUIDE FOR WHEN FITTING WITH A SIDE PANEL.

5



MAKE SURE THE WALL PROFILES ARE TRUE AND SQUARE WITH A SPIRIT LEVEL. MARK THROUGH THE FIXING HOLES WITH A PENCIL. REMOVE PROFILES, DRILL AND PLUG THE WALLS (ITEM 25). THE WALL PLUGS SUPPLIED MAY NOT BE SUITABLE FOR YOUR SUBSTRATE, USE SUITABLE FIXINGS. NOW REFIT ONE WALL PROFILE IN PLACE USING ITEM 21, 22 & 23.

6 FIT THE OPPOSITE WALL PROFILE ONTO THE END OF THE FRAME AND THEN SLIDE THE ASSEMBLY INTO THE FIXED WALL PROFILE AT A SLIGHT ANGLE (AS SHOWN).

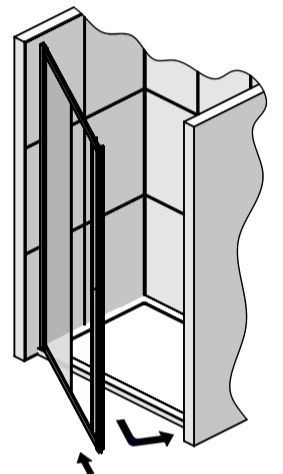
SWING THE ENCLOSURE INTO THE ALCOVE MAKING SURE THE BOTTOM TRACK IS PARALLEL WITH THE FRONT EDGE OF THE TRAY.

SLIDE THE OPPOSITE WALL PROFILE OUT TO MEET THE WALL AND ALIGN WITH THE WALL PLUGS FROM STEP 5.

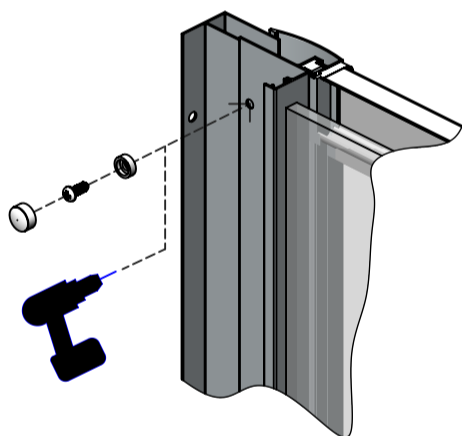
FIX THE WALL PROFILE TO THE WALL USING ITEMS 21, 22 & 23.

CENTRALISE THE FRAME WITHIN THE WALL PROFILES UNTIL THERE IS AN EQUAL AMOUNT OF FRAME IN EACH WALL PROFILE.

IMPORTANT ENSURE THE FRAME IS TRUE AND SQUARE ON BOTH SIDES BEFORE FIXING IN PLACE. USE A SPIRIT LEVEL ON THE EDGE OF THE FIXED GLASS PANEL.



7



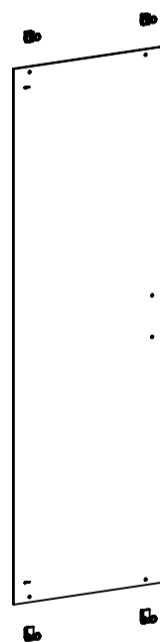
WHEN THE FRAME IS READY TO BE FIXED, DRILL THROUGH THE HOLES IN ITEMS 2 & 5 WITH A 3mm DRILL BIT.

(MAKE SURE YOU ONLY DRILL THROUGH ONE WALL THICKNESS).

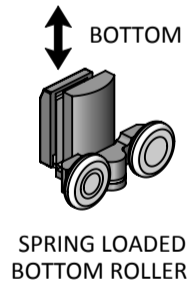
THEN FIX THE FRAME WITH ITEMS 21, 22 & 24.

DON'T OVER TIGHTEN SCREWS.

8



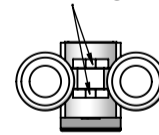
FIT THE TOP ROLLERS, BOTTOM ROLLERS AND HANDLE SUB ASSEMBLY TO THE DOOR (AS SHOWN).



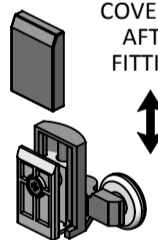
SPRING LOADED BOTTOM ROLLER.

HEIGHT ADJUSTABLE TOP ROLLER.

TURN THE TOP ROLLER ADJUSTER SCREW UNTIL THERE IS AN EQUAL GAP BEFORE FITTING.



SLIDE THE COVER ON AFTER FITTING.



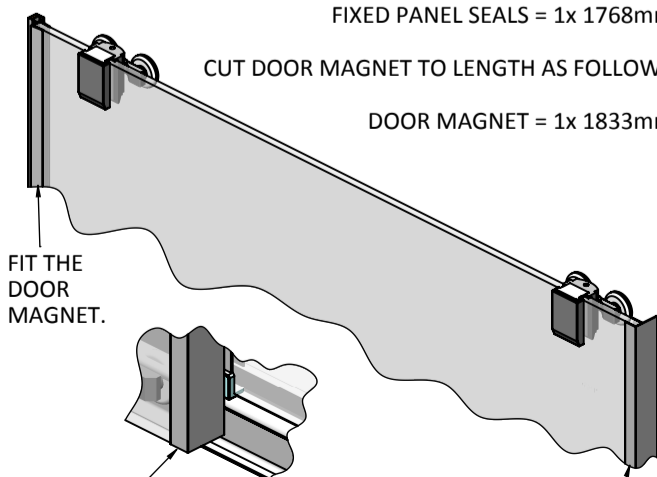
9

CUT THE VERTICAL PVC SEALS TO LENGTH AS FOLLOWS, IF NECESSARY:

DOOR SEALS = 1x 1833mm.
FIXED PANEL SEALS = 1x 1768mm.

CUT DOOR MAGNET TO LENGTH AS FOLLOWS:

DOOR MAGNET = 1x 1833mm.



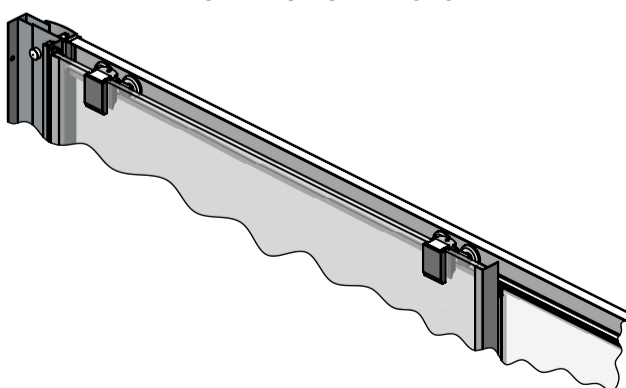
FIT THE DOOR MAGNET.

FIT THE FIXED GLASS SEAL WITH THE BLADE POINTING TOWARDS THE DOOR.

FIT THE DOOR SEAL WITH THE BLADE POINTING TOWARDS THE FIXED GLASS PANEL.

10

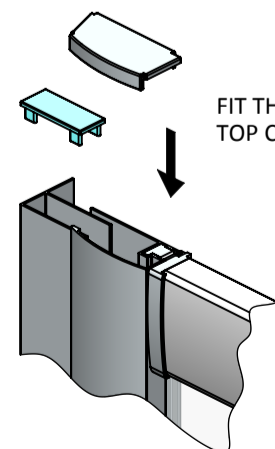
HANG THE DOOR ON THE TOP TRACK, ENSURING THE WHEELS ARE LOCATED IN THE PROFILE CHANNEL. THEN FROM THE OUTSIDE PUSH DOWN ON THE BOTTOM ROLLERS TO LOCATE THEM INTO THE BOTTOM TRACK CHANNEL.



WHEN THE DOOR IS FITTED TURN THE ADJUSTER SCREW ON THE TOP ROLLERS TO LEVEL THE DOORS WITH THE MAGNETIC PROFILE AND MAKE THEM TRUE TO EACH OTHER.

NOTE: WHEN THE DOOR HITS THE TOP BUMP STOP IT SHOULD HIT THE BOTTOM BUMP STOP AT THE SAME TIME.

11



FIT THE ENCLOSURE TOP CAPS.

