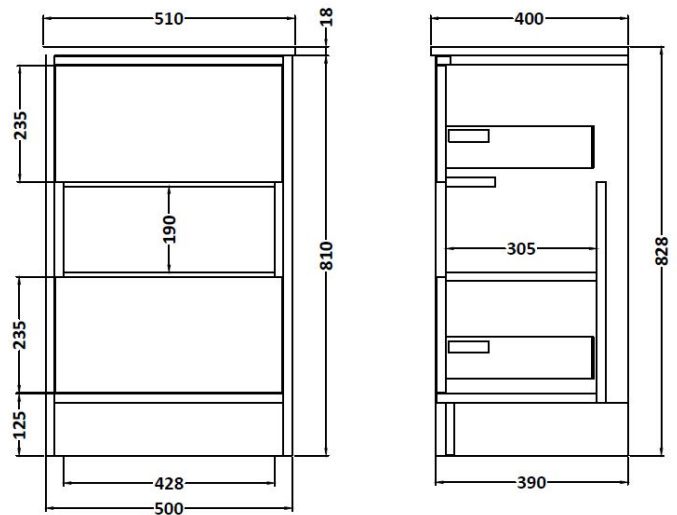


## CUSTOMER DATA SHEET

**SALES CODE:** CST885

**DESCRIPTION:** Coast F Standing 500 Cabinet & Basin Wh



### PACKAGING DETAILS

No of Packs

2

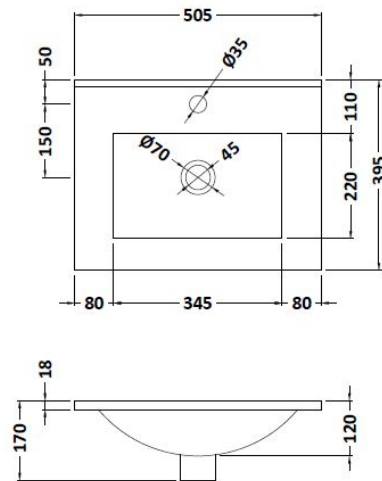
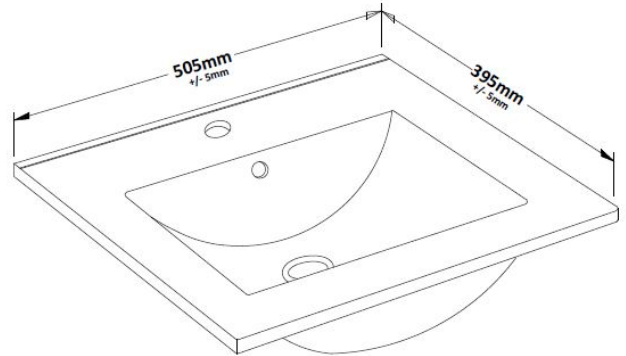
Barcode

5055275888247

## CUSTOMER DATA SHEET - CERAMICS

SALES CODE: FCM002

DESCRIPTION: 500 Minimalist Basin 1Th



### PRODUCT DIMENSIONS

Height (mm)	Width (mm)	Depth (mm)	Nett Wgt Kg
170	500	460	9

### PACKAGING DIMENSIONS

Height (mm)	Width (mm)	Depth (mm)	Gross Wgt Kg
400	520	200	9

### PACKAGING DATA

Box Colour		Label Colour	
Box Qty		Label Qty	
Label Size	x	Label Qty	

### OUTER BOX DIMENSIONS (If Applicable)

Height (mm)	Width (mm)	Depth (mm)	Gross Wgt Kg
Barcode	5055275831755		

### PRODUCT DETAILS

Country of Origin	China
Fitting Instruction	No

Certification	CE	WRAS	WRAS Number
Product Material	Vitreous China		

### PANS/BIDETS

Trap Style	Not Relevant	Includes Seat	N/A
------------	--------------	---------------	-----

### CISTERNS

Fittings	None Included	Operating Type	Not Applicable
Lever Type	Not Applicable		

### SEAT

Type	Not Applicable	Function	Seat Not Include
Material	Not Applicable		
Hinge Type	Not Relevant	Hinge Material	Not Applicable

### BASINS

Tap Hole	One Taphole	Chain Stay Hole	No
Template	Not Required	Waste Type Req'd	Slotted
Overflow Incl.		Overflow Cover	Yes
Inner Bowl Depth			

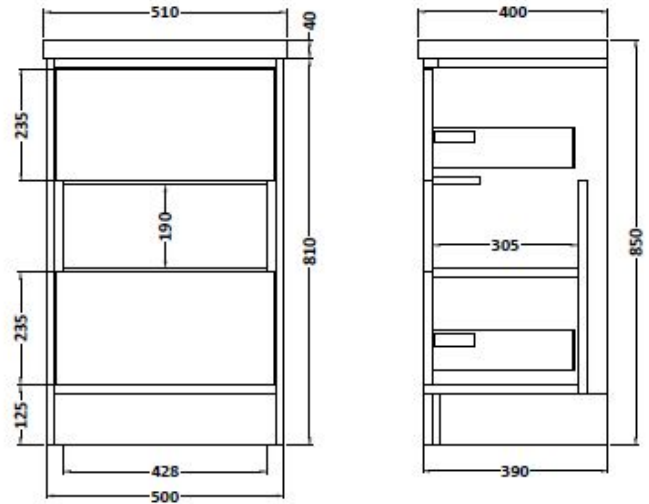
### GENERAL

Fixing Supplied	No
-----------------	----

## CUSTOMER DATA SHEET - FURNITURE

SALES CODE: FMC974

DESCRIPTION: 500mm F/S 2 Dwr Van Central Open Shelf



### PRODUCT DIMENSIONS

Height (mm)	Width (mm)	Depth (mm)	Nett Wgt Kg
810	500	390	27

### PACKAGING DIMENSIONS

Height (mm)	Width (mm)	Length (mm)	Gross Wgt Kg
790	498	383	27

### PACKAGING DATA

Box Colour	Brown Cardboard Box		
Box Qty	1	Label Colour	White Label
Label Size	100 x 50	Label Qty	2

### OUTER BOX DIMENSIONS (If Applicable)

Height (mm)	Width (mm)	Depth (mm)	Gross Wgt Kg
Barcode	5055369096992		

### PRODUCT DETAILS

Country of Origin	Ireland			
Fitting Instruction	No			
Constr' Method	Glue & Dowelled			
Cabinet Finish	MFC Gloss			
Cab Thickness (mm)	18			
Drawer Included	Yes			
No of Shelves	0			
Hinge Inc'	No			
Fixings Inc'	Yes			
Handle Inc'	No, Not Required			
Handle Type	Handleless			
Certification	FSC	Yes	CE	N/A
Colour	White Gloss/Coco Bolo			
Constr' Type	Rigid			
Fascia Finish	Mdf Vinyl Gloss			
Fas Thickness (mm)	18			
Drawer Type	Blum Tip-On (Push To Open)			
Hinge Type	Not Applicable			
Adjustable Legs	Yes, Supplied			
Handle Style	Not Applicable			
Waste Shroud	Yes			