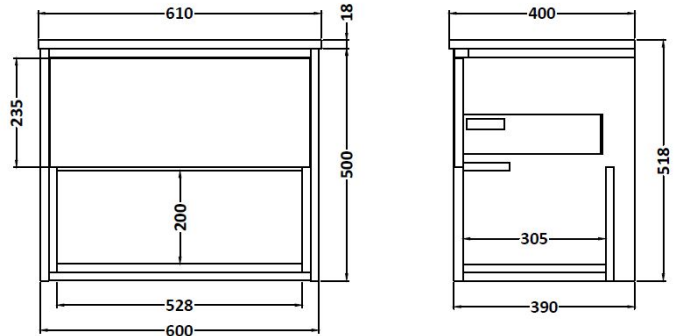


CUSTOMER DATA SHEET

SALES CODE: CST986

DESCRIPTION: Coast Wh 600mm Basin Unit - Option 2

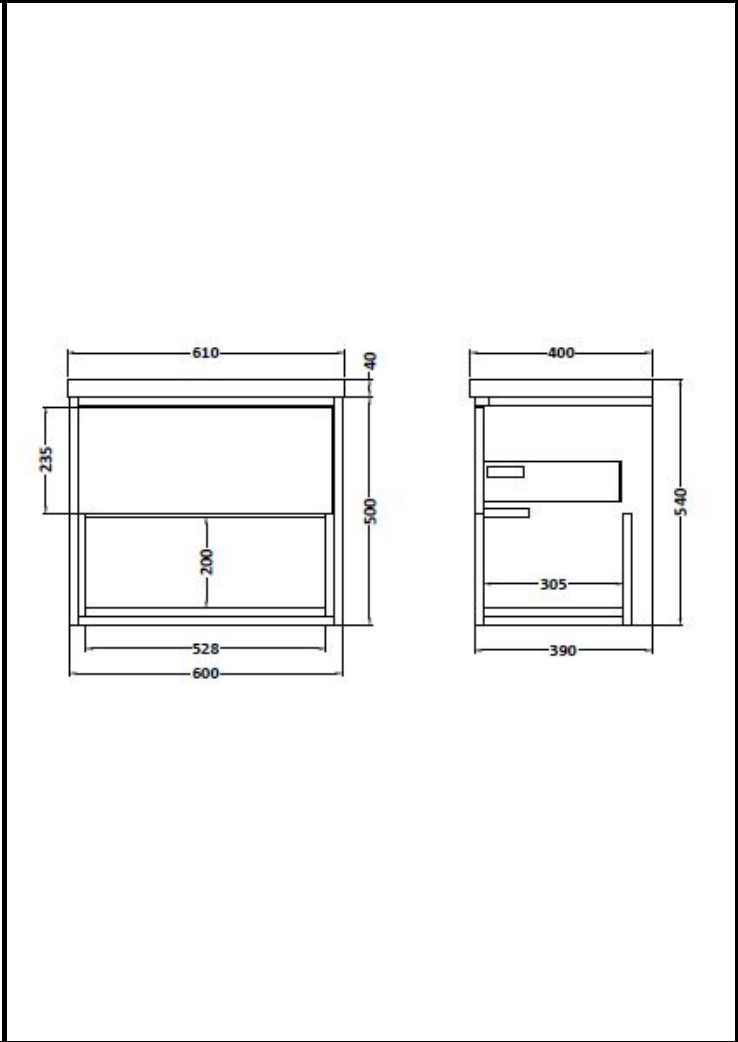


PACKAGING DETAILS

No of Packs	2
Barcode	5055275868355

CUSTOMER DATA SHEET - FURNITURE

SALES CODE: FMC986	DESCRIPTION: 600mm W/H Van With Open Shelf
---------------------------	---



PRODUCT DIMENSIONS			
Height (mm)	Width (mm)	Depth (mm)	Nett Wgt Kg
500	600	390	26.4

PACKAGING DIMENSIONS			
Height (mm)	Width (mm)	Length (mm)	Gross Wgt Kg
400	530	650	26.4

PACKAGING DATA			
Box Colour	Brown Cardboard Box		
Box Qty	1	Label Colour	White Label
Label Size	100 x 50	Label Qty	2

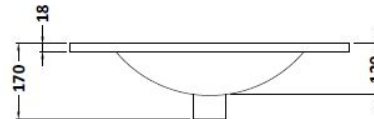
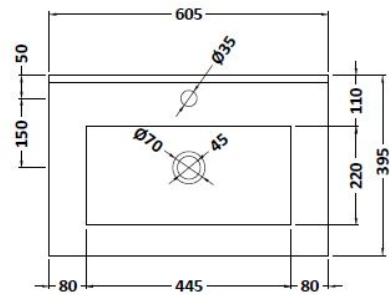
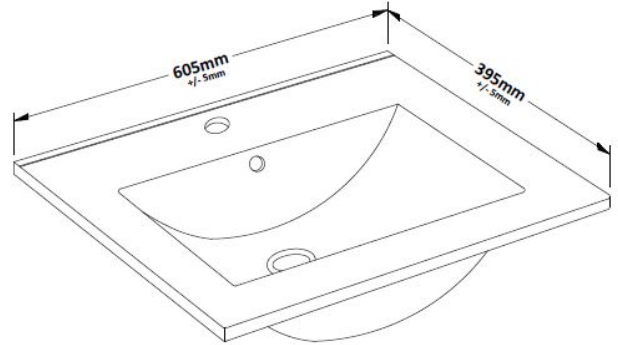
OUTER BOX DIMENSIONS (If Applicable)			
Height (mm)	Width (mm)	Depth (mm)	Gross Wgt Kg
Barcode	5055369097029		

PRODUCT DETAILS				
Country of Origin	Ireland			
Fitting Instruction	No			
Constr' Method	Glue & Dowelled			
Cabinet Finish	MFC Gloss			
Cab Thickness (mm)	18			
Drawer Included	Yes			
No of Shelves	0			
Hinge Inc'	No			
Fixings Inc'	Yes			
Handle Inc'	No, Not Required			
Handle Type	Handleless			
Certification	FSC	Yes	CE	N/A
Colour	White Gloss/Coco Bolo			
Constr' Type	Rigid			
Fascia Finish	Mdf Vinyl Gloss			
Fas Thickness (mm)	18			
Drawer Type	Blum Tip-On (Push To Open)			
Hinge Type	Not Applicable			
Adjustable Legs	No			
Handle Style	Not Applicable			
Waste Shroud	Yes			

CUSTOMER DATA SHEET - CERAMICS

SALES CODE: NVM003

DESCRIPTION: Minimalist Basin 600mm



PRODUCT DIMENSIONS

Height (mm)	Width (mm)	Depth (mm)	Nett Wgt Kg
170	600	390	10.76

PACKAGING DIMENSIONS

Height (mm)	Width (mm)	Depth (mm)	Gross Wgt Kg
200	400	620	10.76

PACKAGING DATA

Box Colour	Brown Cardboard Box - Printed		
Box Qty	1	Label Colour	White Label
Label Size	100 x 50	Label Qty	2

OUTER BOX DIMENSIONS (If Applicable)

Height (mm)	Width (mm)	Depth (mm)	Gross Wgt Kg
Barcode		5055146199878	

PRODUCT DETAILS

Country of Origin	China
Fitting Instruction	No

Certification	CE	No	WRAS	N/A	WRAS Number	N/A
Product Material	Vitreous China					

PANS/BIDETS

Trap Style	Not Relevant	Includes Seat	N/A
------------	--------------	---------------	-----

CISTERNS

Fittings	Not Applicable	Operating Type	Not Applicable
Lever Type	Not Applicable		

SEAT

Type	Not Applicable	Function	Not Applicable
Material	Not Applicable		
Hinge Type	Not Applicable	Hinge Material	Not Applicable

BASINS

Tap Hole	One Taphole	Chain Stay Hole	No
Template	Not Required	Waste Type Req'd	Slotted
Overflow Incl.	Yes	Overflow Cover	Yes
Inner Bowl Depth	220mm		

GENERAL

Fixing Supplied	No
-----------------	----