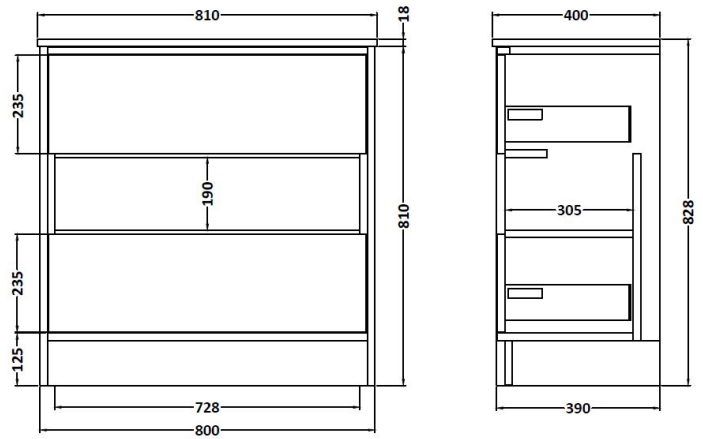


CUSTOMER DATA SHEET

SALES CODE: CST978

DESCRIPTION: Coast Fs 800mm Basin Unit - Option 2



PACKAGING DETAILS

No of Packs

2

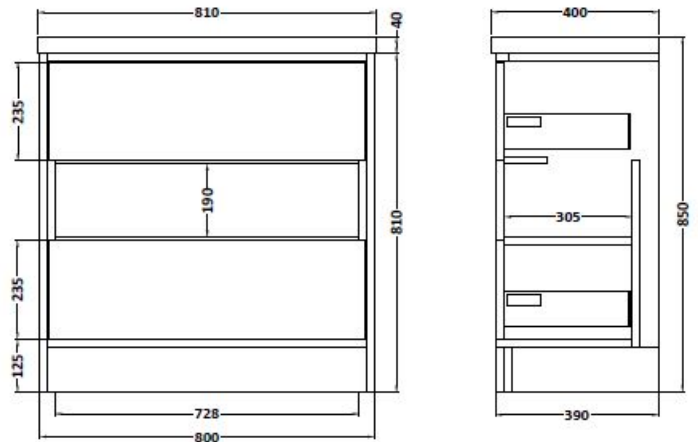
Barcode

5055275868362

CUSTOMER DATA SHEET - FURNITURE

SALES CODE: FMC978

DESCRIPTION: 800mm F/S 2 Dwr Van Central Open Shelf



PRODUCT DIMENSIONS

Height (mm)	Width (mm)	Depth (mm)	Nett Wgt Kg
810	800	390	29

PACKAGING DIMENSIONS

Height (mm)	Width (mm)	Length (mm)	Gross Wgt Kg
850	820	400	29

PACKAGING DATA

Box Colour	Brown Cardboard Box		
Box Qty	1	Label Colour	White Label
Label Size	100 x 50	Label Qty	2

OUTER BOX DIMENSIONS (If Applicable)

Height (mm)	Width (mm)	Depth (mm)	Gross Wgt Kg
Barcode	5055369097036		

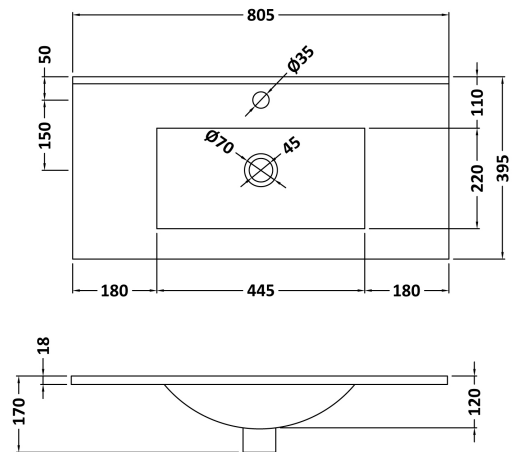
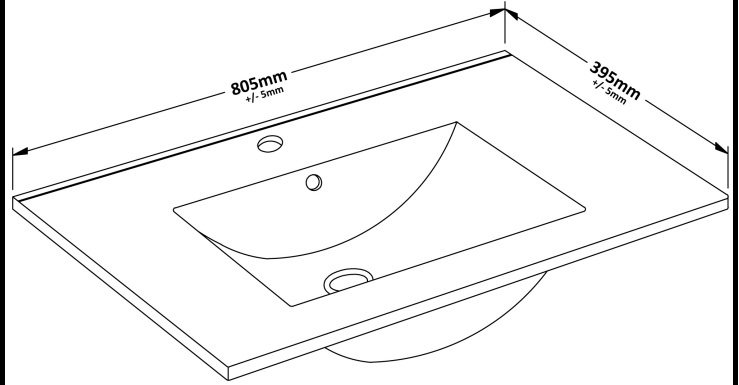
PRODUCT DETAILS

Country of Origin	Ireland			
Fitting Instruction	No			
Constr' Method	Glue & Dowelled			
Cabinet Finish	MFC Gloss			
Cab Thickness (mm)	18			
Drawer Included	Yes			
No of Shelves	0			
Hinge Inc'	No			
Fixings Inc'	Yes			
Handle Inc'	No, Not Required			
Handle Type	Handleless			
Certification	FSC	Yes	CE	N/A
Colour	White Gloss/Coco Bolo			
Constr' Type	Rigid			
Fascia Finish	Mdf Vinyl Gloss			
Fas Thickness (mm)	18			
Drawer Type	Blum Tip-On (Push To Open)			
Hinge Type	Not Applicable			
Adjustable Legs	Yes, Supplied			
Handle Style	Not Applicable			
Waste Shroud	Yes			

CUSTOMER DATA SHEET - CERAMICS

SALES CODE: NVM005

DESCRIPTION: Minimalist Basin 800mm



PRODUCT DIMENSIONS

Height (mm)	Width (mm)	Depth (mm)	Nett Wgt Kg
170	800	460	16.9

PACKAGING DIMENSIONS

Height (mm)	Width (mm)	Depth (mm)	Gross Wgt Kg
400	820	200	16.9

PACKAGING DATA

Box Colour	Brown Cardboard Box - Printed		
Box Qty	1	Label Colour	White Label
Label Size	100 x 50	Label Qty	2

OUTER BOX DIMENSIONS (If Applicable)

Height (mm)	Width (mm)	Depth (mm)	Gross Wgt Kg
Barcode		5055146194675	

PRODUCT DETAILS

Country of Origin	China
Fitting Instruction	No

Certification	CE	No	WRAS	N/A	WRAS Number	N/A
Product Material	Vitreous China					

PANS/BIDETS

Trap Style	Not Relevant	Includes Seat	N/A
------------	--------------	---------------	-----

CISTERNS

Fittings	Not Applicable	Operating Type	Not Applicable
Lever Type	Not Applicable		

SEAT

Type	Not Applicable	Function	Not Applicable
Material	Not Applicable		
Hinge Type	Not Applicable	Hinge Material	Not Applicable

BASINS

Tap Hole	One Taphole	Chain Stay Hole	No
Template	Not Required	Waste Type Req'd	Slotted
Overflow Incl.	Yes	Overflow Cover	Yes
Inner Bowl Depth	210mm		

GENERAL

Fixing Supplied	No
-----------------	----