

Thank you for purchasing this Croydex product. Please follow the fixing and care instructions to ensure that your Bath panel is fitted safely and that it retains its high quality finish.

This instruction leaflet applies to the following products:

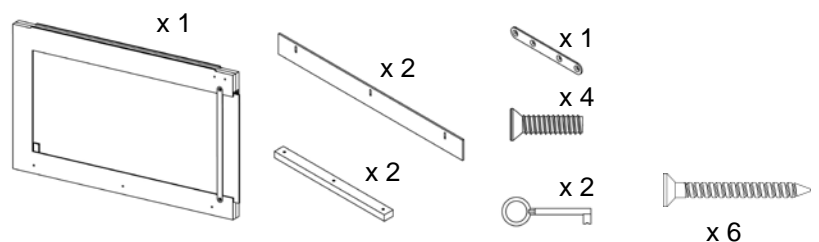
WB995122 (WHITE) Bath Panel
WB995022 (WHITE) End Panel

Images are for reference only

Fixing Pack Contents

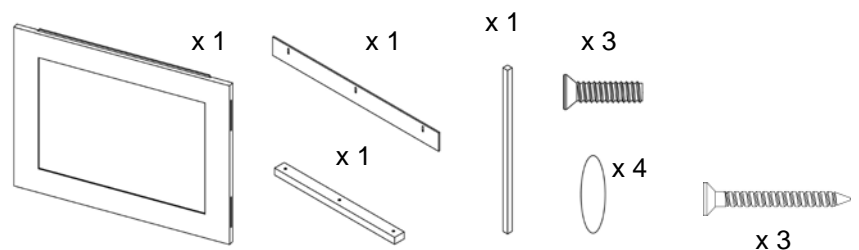
Bath Panel

Hinged Bath Panel x 1
Plinth x 2 (Pre-assembled)
Floor Brace x 2
Securing brace x 1
Bolt x 4
Key x 2
Floor Baton Fixing Screws x 6



End Panel

End Panel x 1
Plinth x 1 (Pre-assembled)
Floor Brace x 1
Corner panel x 1
Bolt x 3 (Pre-assembled)
Biscuit joint x 4
Glue sachet x 1 (Not Shown)
Floor Baton Fixing Screws x 3



Tools Required

Tape measure, Pencil, Bradawl, Saw, Cross Head Screwdriver, Wood glue (where required)

KEEP DIY TOOLS OUT OF THE REACH OF CHILDREN

Home Safety Advice

It is recommended that two people fit the bath panel to ensure that it is fitted safely.

Always take care when using an electric drill, particularly in the bathroom. Always check for hidden cables and pipe-work before drilling and take extreme care if there is any water in the working area.

It is advisable to use a residual current circuit breaker (RCCB).

Always wear suitable eye protection when drilling.

Do not strike the product with hard or sharp objects.

Fixing Instructions

Fitting the Bath panel

1. Carefully remove all contents from the packaging.
2. Unfold the bath panel and attach the securing brace by loosely inserting each of the four bolts to ensure that the brace is correctly lined up, and then fully tightening each bolt starting from the centre out. Fig 1
3. To determine how high the bath panel needs to be, measure from the underside of the bath rim to the floor surface. If your bath requires the panel height to be greater than 500mm it can be increased to 532mm by adjusting the plinths.
4. The bath panel is supplied with pre-assembled height adjustable plinths which can be removed if not required. Measure from the main flat area on the top of the panel (not the thin raised lip area that locates under the rim of the bath) down to the bottom of the plinth and tighten up the three bolts. Ensure there is no gapping at the centre between the plinths when the second plinth is attached. Fig 2

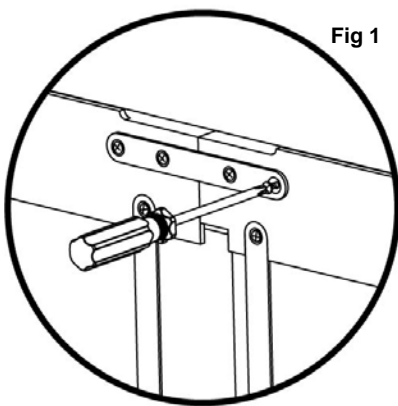


Fig 1

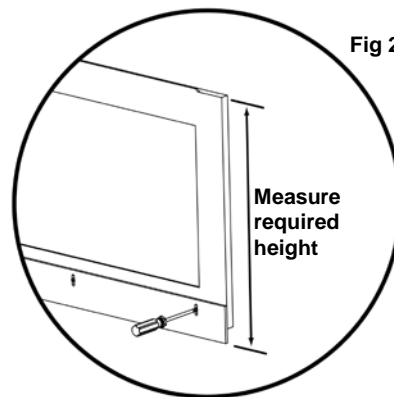


Fig 2

5. Insert the Bath panel under the bath, ensuring that it is vertical by using a spirit level. Now draw a line along the length of the bath panel on the floor where the front face of the panel (or plinth if you have attached one) touches the floor. Then remove the bath panel.
6. **If you have a plinth attached** measure back from the line you have drawn by 5mm and draw a second line parallel to it. This line will be used to position the floor braces, which will keep your bath panel vertical.
7. **If you do not have a plinth attached** measure back from the first line by 19mm and draw a second line parallel to it. This line will be used to position the floor braces, which will keep your bath panel vertical.
8. Position the floor braces so that its front face is on the line you have drawn on the floor and mark through the holes with a bradawl Fig 3 (Fig 4 shows the suggested positions along the length of the bath panel looking from the rear when bath panel is fully assembled)
9. The floor brace has two pieces of adhesive foam tape pre-applied to its front face. See Fig 5.
10. Screw to the floor using the self-tapping screws supplied. Before screwing to the floor it is advised that you check for hidden cables or pipe-work.

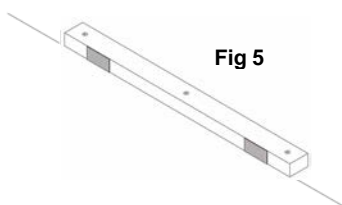


Fig 5

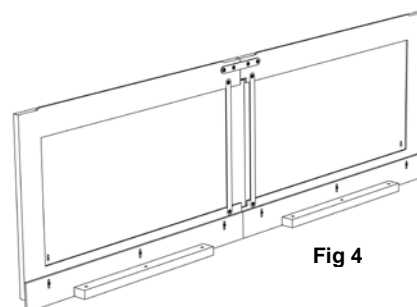


Fig 4

Rear View

11. Peel off the protective strip on the exposed face of the foam tape.
12. Carefully position the bath panel under the bath, inserting under the top first and then push the base of the panel in until it stops against the floor brace. The exposed adhesive tape will hold the bath panel in position.

Fitting the End panel

1. If you have also purchased an end panel, follow the instructions detailed above to fit the plinth (if required), floor brace and hook-loop pads. It is very important to make sure that when fitting the floor brace it is at a 90° angle to the main bath panel.
2. Fit the end panel into position.
3. Carefully cut the corner panel to the required height, this is the same as the total height of the bath panel (the distance under the bath rim to the floor).
4. It may be necessary to adjust the length of the plinth at the intersection with the bath panel. Remember to seal all cut edges before final assembly.
5. Insert the biscuit joints into each of the four slots in the corner panel. Fig 6
6. Attach the corner panel to the bath and end panels ensuring that the cut edge is at the bottom hidden from view. If you wish you can use a small amount of wood glue on each of the biscuit joints before assembling to secure in place.



Important Product Care

When installation has been completed it is important to seal along all panel edges with a waterproof bathroom sealant to stop prolonged water penetration damaging the painted surface. Pay particular attention to the intersection between the underside of the bath rim and the top of the bath panel.

To retain the best quality finish, clean product regularly with a soft cloth and mild detergents. Do not use abrasive or chemical cleaners, as these will damage the product. Always mop up any standing water left on the bath panel after use.

Please retain this leaflet for future reference.

Croydex Limited, Central Way, Andover, Hants, SP10 5AW, UK

Tel: +44 (0) 1264 365881. Fax: +44 (0) 1264 356437

Website: www.croydex.com E-mail: info@croydex.co.uk.